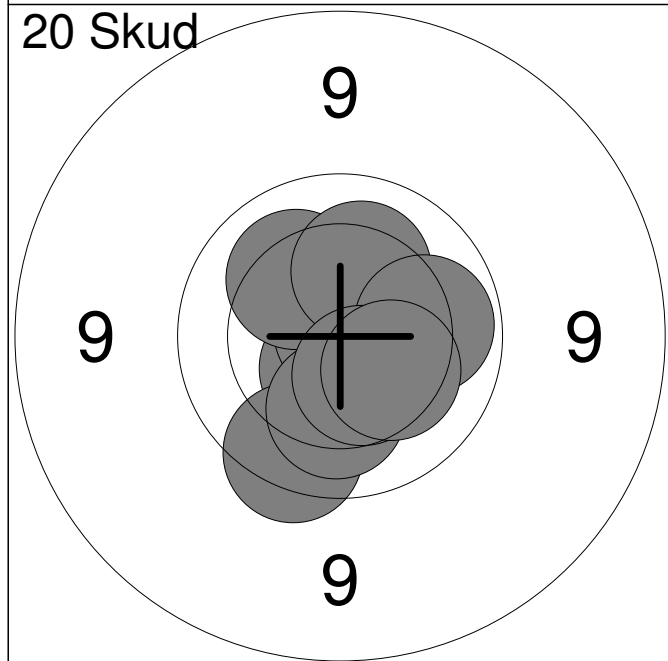
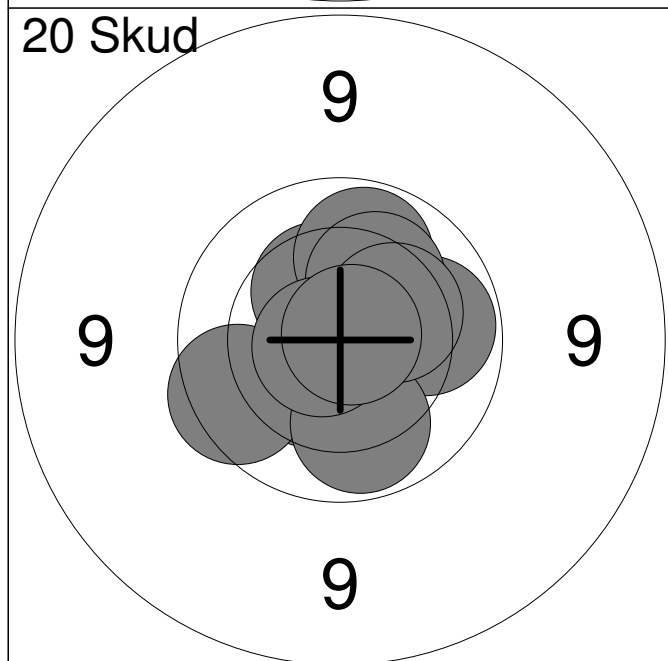


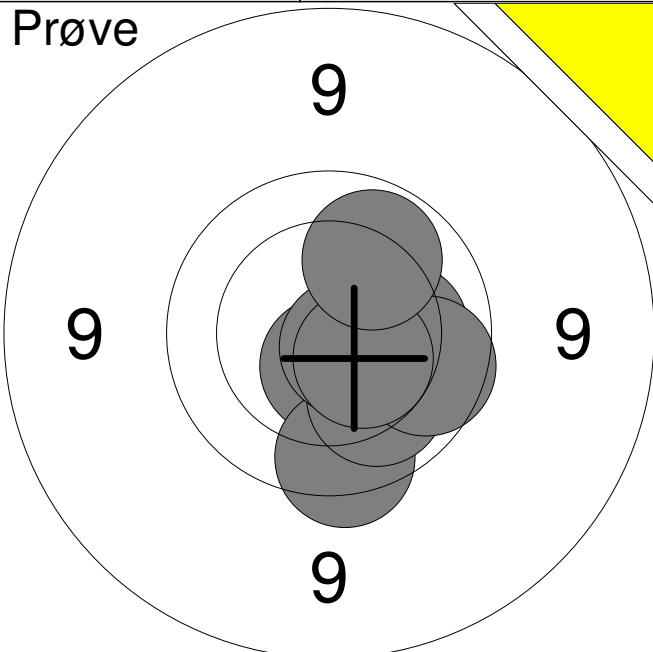
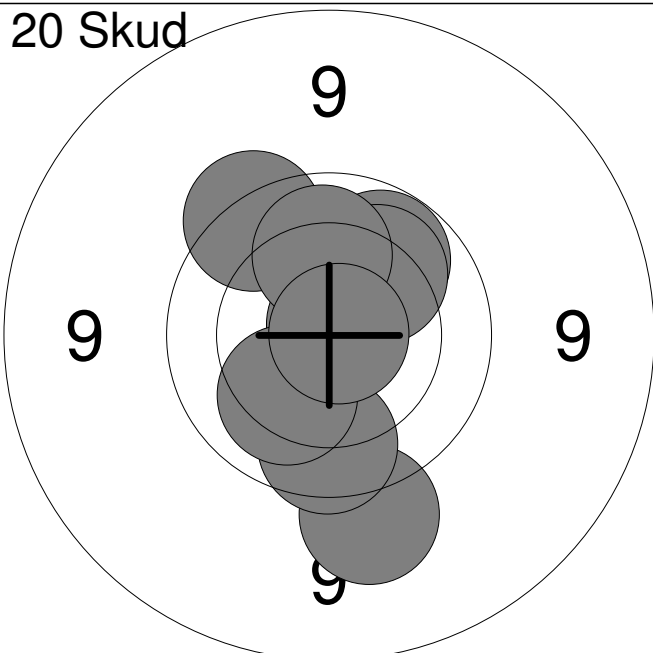
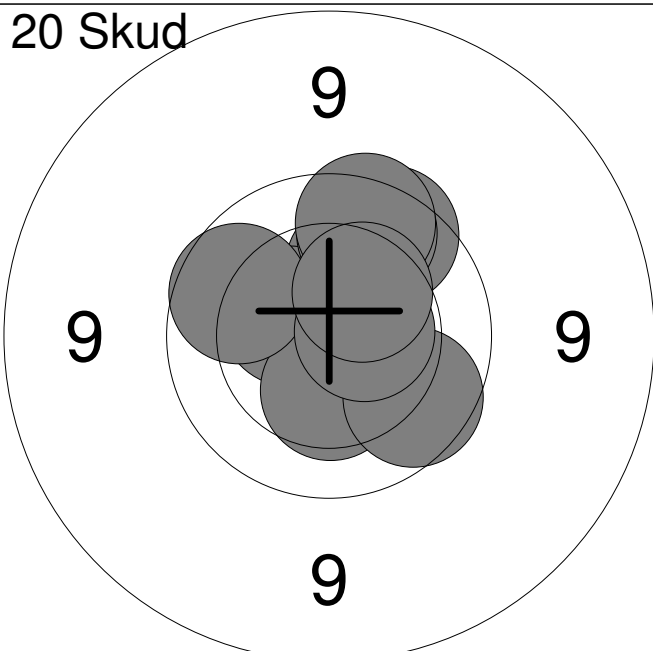
1:	9.4	↙
2:	10.0	↗
3:	*10.8	↗
4:	*10.5	↘
5:	*10.8	↙
Serie		49.0
Total		0.0



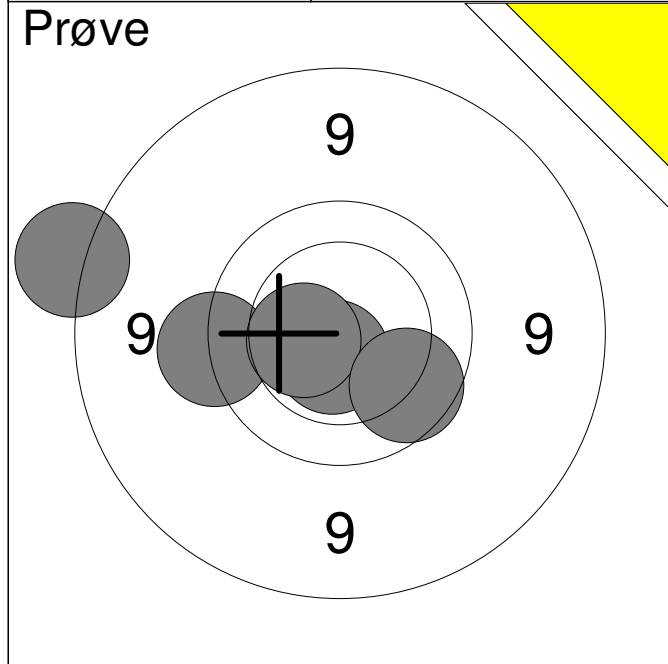
1:	*10.6	↘
2:	*10.9	↗
3:	9.7	↘
4:	10.4	↘
5:	10.2	↘
6:	10.2	↗
7:	10.2	↗
8:	10.0	→
9:	10.5	↘
10:	10.3	↘
Serie		99.0
Total		99.0



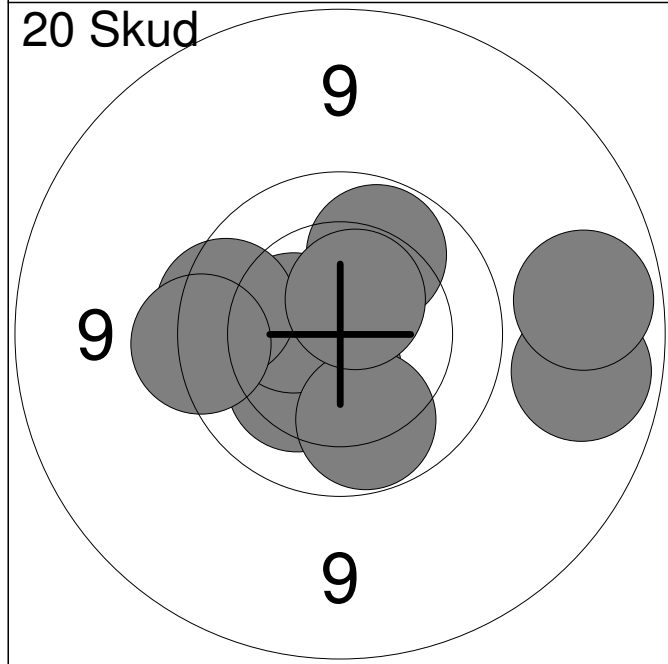
11:	10.4	↗
12:	10.0	↗
13:	10.4	↘
14:	10.0	→
15:	10.2	↗
16:	9.8	↙
17:	10.0	↘
18:	*10.7	↙
19:	10.3	↗
20:	*10.8	↗
Serie		99.0
Total		198.0

Hold	Skive	Bente W. Kjelgaard		
1	2	15m	Skf. Kimbrene	V1
26.02.2013	NM Senior 2013	Aalborg Skyttekreds		
Prøve				
		1:	10.4	↘
		2:	*10.6	↓
		3:	9.8	↘
		4:	10.1	↘
		5:	10.2	→
		6:	9.9	↘
		7:	*10.7	↘
		8:	*10.5	↘
		9:	10.0	↗
		Serie	88.0	
		Total	0.0	
20 Skud				
		1:	10.0	↗
		2:	9.4	↓
		3:	10.2	↗
		4:	9.7	↗
		5:	*10.8	↗
		6:	10.1	↗
		7:	9.8	↓
		8:	10.2	↙
		9:	10.1	↑
		10:	*10.8	→
		Serie	97.0	
		Total	97.0	
20 Skud				
		11:	10.1	↗
		12:	10.5	↖
		13:	10.4	↓
		14:	9.9	↘
		15:	9.9	↖
		16:	*10.6	→
		17:	9.8	↗
		18:	9.8	↗
		19:	9.8	↗
		20:	10.4	↗
		Serie	95.0	
		Total	192.0	

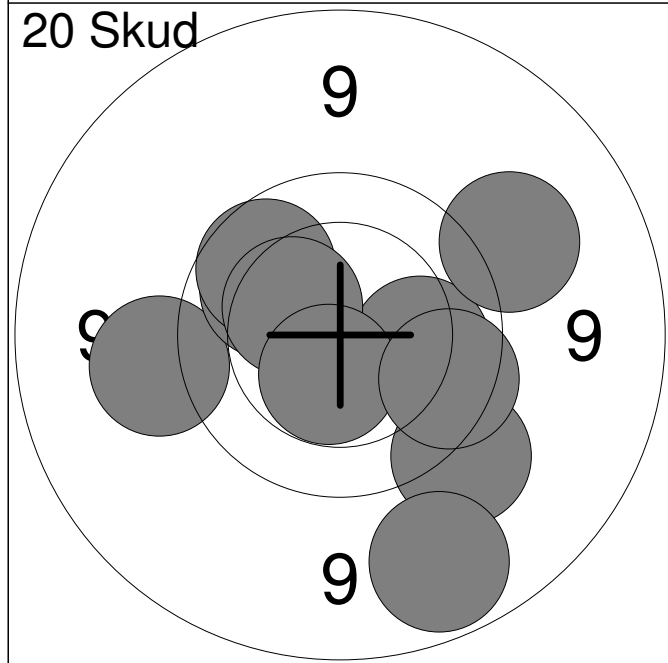
Hold	Skive	Stefan Olsen		
1	3	Aalborg Skyttekreds		UNG
15m	Aalborg Skyttekreds		UNG	
26.02.2013	NM Senior 2013		Aalborg Skyttekreds	
Prøve		1:	10.3	←
		2:	9.9	↗
		3:	10.5	↓
		4:	10.5	↗
		5:	9.8	↗
		6:	9.9	↓
		7:	*10.5	←
		Serie	67.0	
		Total	0.0	
20 Skud		1:	10.1	↗
		2:	9.4	←
		3:	10.2	↓
		4:	10.2	↗
		5:	9.6	→
		6:	9.7	←
		7:	10.3	↓
		8:	9.9	↑
		9:	10.1	←
		10:	*10.8	→
		Serie	96.0	
		Total	96.0	
20 Skud		11:	9.8	←
		12:	9.7	→
		13:	*10.6	↑
		14:	*10.8	←
		15:	*10.5	↗
		16:	9.7	→
		17:	9.7	↗
		18:	10.0	↗
		19:	10.4	→
		20:	10.4	←
		Serie	96.0	
		Total	192.0	



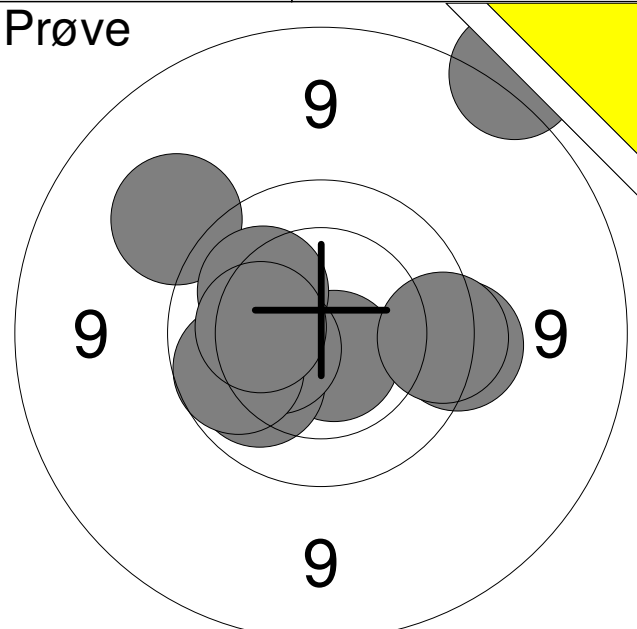
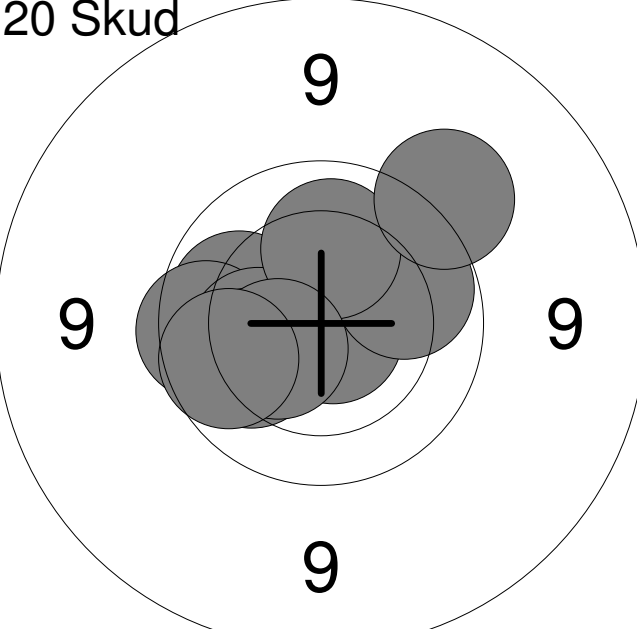
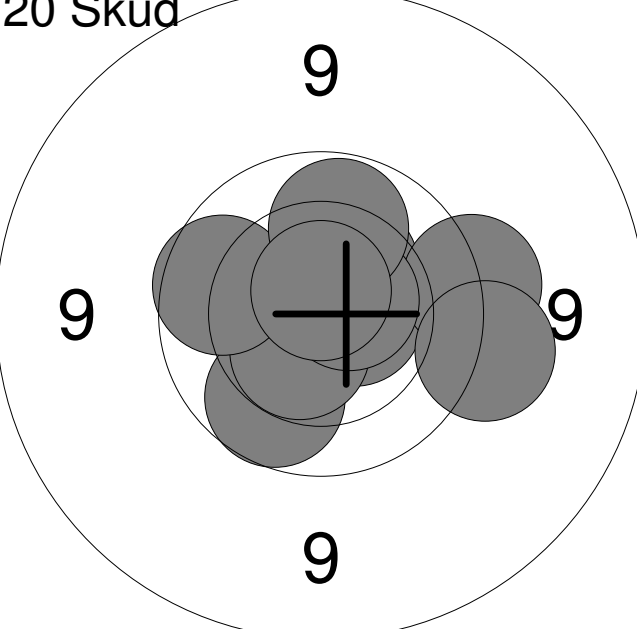
1:	9.6	←
2:	*10.6	↓
3:	8.6	←
4:	10.5	←
5:	9.9	↓
Serie		46.0
Total		0.0

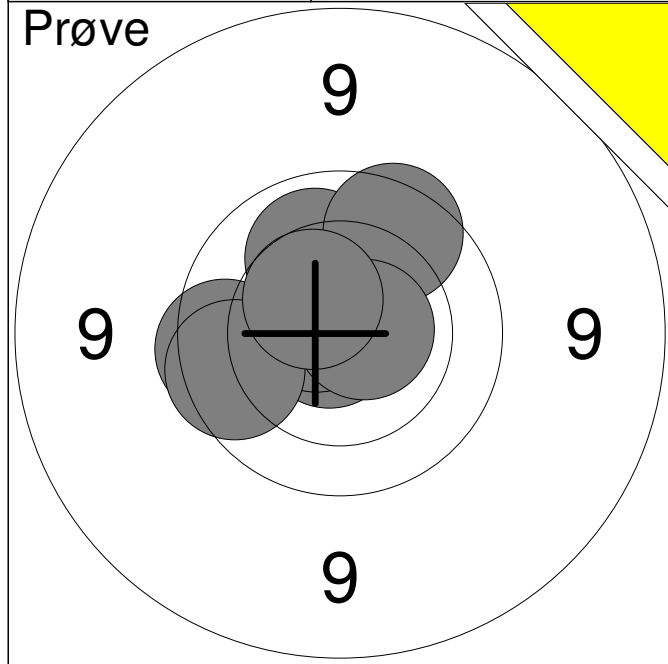


1:	*10.6	↓
2:	10.0	↑
3:	10.3	↓
4:	10.4	←
5:	9.0	→
6:	9.8	←
7:	9.7	←
8:	9.0	→
9:	10.0	↓
10:	*10.5	↑
Serie		96.0
Total		96.0

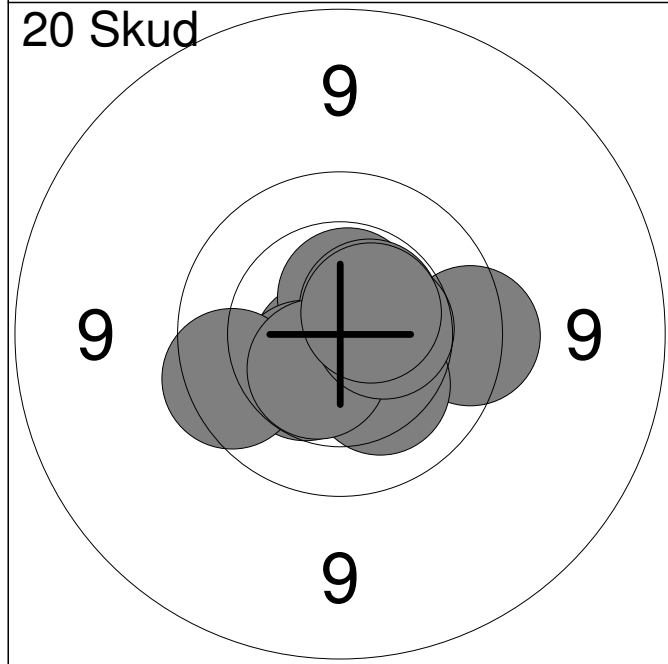


11:	9.5	↓
12:	9.4	←
13:	10.1	→
14:	10.0	↑
15:	9.3	→
16:	9.9	↑
17:	10.4	↑
18:	*10.5	↓
19:	9.0	↓
20:	9.8	↓
Serie		94.0
Total		190.0

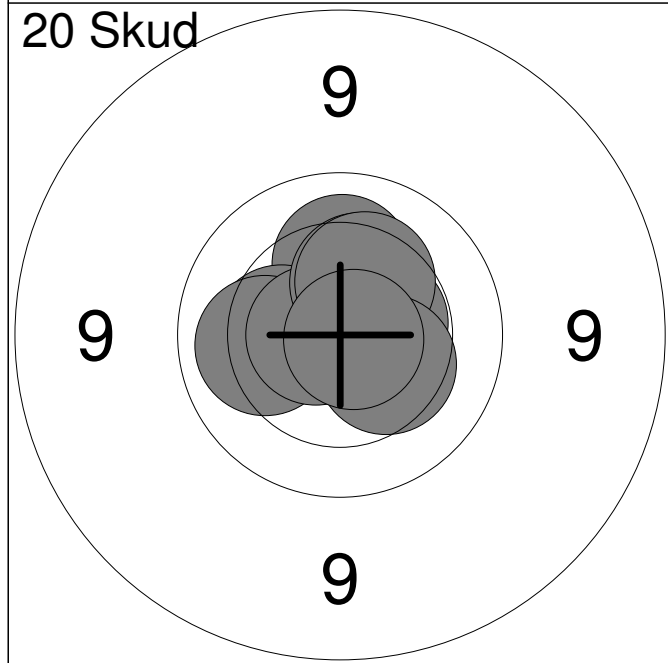
Hold	Skive	Kristinna Olsen																																						
1	6	Aalborg Skyttekreds		UNG																																				
15m	26.02.2013		NM Senior 2013	Aalborg Skyttekreds																																				
Prøve		 <table border="1"> <tr><td>1:</td><td>*10.6</td><td>↘</td></tr> <tr><td>2:</td><td>9.3</td><td>↗</td></tr> <tr><td>3:</td><td>10.1</td><td>↙</td></tr> <tr><td>4:</td><td>8.6</td><td>↗</td></tr> <tr><td>5:</td><td>10.1</td><td>↗</td></tr> <tr><td>6:</td><td>10.4</td><td>↙</td></tr> <tr><td>7:</td><td>9.6</td><td>→</td></tr> <tr><td>8:</td><td>9.7</td><td>→</td></tr> <tr><td>9:</td><td>9.9</td><td>↙</td></tr> <tr><td>10:</td><td>10.2</td><td>←</td></tr> <tr><td colspan="2">Serie</td><td>94.0</td></tr> <tr><td colspan="2">Total</td><td>0.0</td></tr> </table>			1:	*10.6	↘	2:	9.3	↗	3:	10.1	↙	4:	8.6	↗	5:	10.1	↗	6:	10.4	↙	7:	9.6	→	8:	9.7	→	9:	9.9	↙	10:	10.2	←	Serie		94.0	Total		0.0
1:	*10.6	↘																																						
2:	9.3	↗																																						
3:	10.1	↙																																						
4:	8.6	↗																																						
5:	10.1	↗																																						
6:	10.4	↙																																						
7:	9.6	→																																						
8:	9.7	→																																						
9:	9.9	↙																																						
10:	10.2	←																																						
Serie		94.0																																						
Total		0.0																																						
20 Skud		 <table border="1"> <tr><td>1:</td><td>*10.8</td><td>↘</td></tr> <tr><td>2:</td><td>10.0</td><td>←</td></tr> <tr><td>3:</td><td>9.8</td><td>←</td></tr> <tr><td>4:</td><td>10.3</td><td>←</td></tr> <tr><td>5:</td><td>10.1</td><td>↙</td></tr> <tr><td>6:</td><td>10.0</td><td>→</td></tr> <tr><td>7:</td><td>10.1</td><td>↑</td></tr> <tr><td>8:</td><td>10.4</td><td>↙</td></tr> <tr><td>9:</td><td>9.9</td><td>←</td></tr> <tr><td>10:</td><td>9.4</td><td>↗</td></tr> <tr><td colspan="2">Serie</td><td>97.0</td></tr> <tr><td colspan="2">Total</td><td>97.0</td></tr> </table>			1:	*10.8	↘	2:	10.0	←	3:	9.8	←	4:	10.3	←	5:	10.1	↙	6:	10.0	→	7:	10.1	↑	8:	10.4	↙	9:	9.9	←	10:	9.4	↗	Serie		97.0	Total		97.0
1:	*10.8	↘																																						
2:	10.0	←																																						
3:	9.8	←																																						
4:	10.3	←																																						
5:	10.1	↙																																						
6:	10.0	→																																						
7:	10.1	↑																																						
8:	10.4	↙																																						
9:	9.9	←																																						
10:	9.4	↗																																						
Serie		97.0																																						
Total		97.0																																						
20 Skud		 <table border="1"> <tr><td>11:</td><td>10.4</td><td>↗</td></tr> <tr><td>12:</td><td>9.9</td><td>↙</td></tr> <tr><td>13:</td><td>*10.6</td><td>→</td></tr> <tr><td>14:</td><td>*10.5</td><td>↙</td></tr> <tr><td>15:</td><td>9.9</td><td>←</td></tr> <tr><td>16:</td><td>9.6</td><td>→</td></tr> <tr><td>17:</td><td>*10.6</td><td>↗</td></tr> <tr><td>18:</td><td>10.0</td><td>↑</td></tr> <tr><td>19:</td><td>9.5</td><td>→</td></tr> <tr><td>20:</td><td>*10.7</td><td>↑</td></tr> <tr><td colspan="2">Serie</td><td>96.0</td></tr> <tr><td colspan="2">Total</td><td>193.0</td></tr> </table>			11:	10.4	↗	12:	9.9	↙	13:	*10.6	→	14:	*10.5	↙	15:	9.9	←	16:	9.6	→	17:	*10.6	↗	18:	10.0	↑	19:	9.5	→	20:	*10.7	↑	Serie		96.0	Total		193.0
11:	10.4	↗																																						
12:	9.9	↙																																						
13:	*10.6	→																																						
14:	*10.5	↙																																						
15:	9.9	←																																						
16:	9.6	→																																						
17:	*10.6	↗																																						
18:	10.0	↑																																						
19:	9.5	→																																						
20:	*10.7	↑																																						
Serie		96.0																																						
Total		193.0																																						



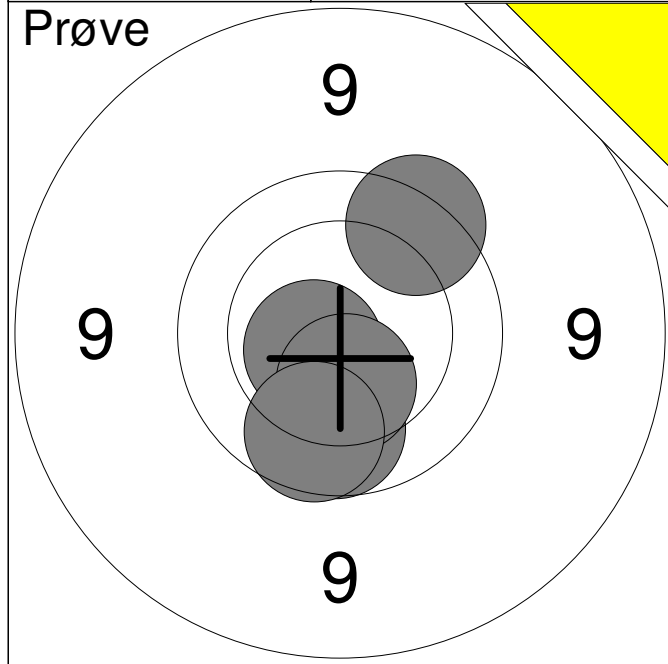
1:	10.1	↑
2:	9.8	←
3:	*10.8	←
4:	9.8	↑
5:	*10.7	←
6:	9.8	←
7:	*10.7	→
8:	10.5	↑
Serie		77.0
Total		0.0



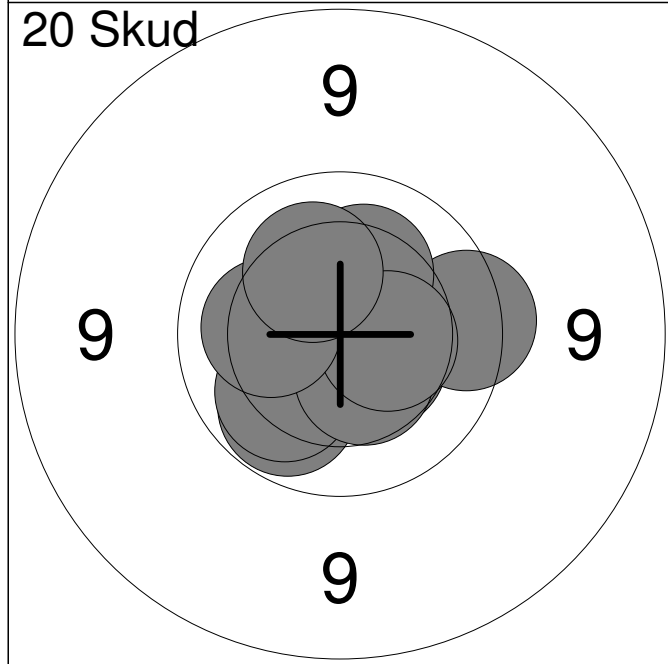
1:	9.7	→
2:	10.2	↓
3:	*10.7	↙
4:	*10.6	↑
5:	10.4	↙
6:	*10.5	↗
7:	9.8	←
8:	*10.5	↙
9:	10.5	→
10:	*10.5	↗
Serie		98.0
Total		98.0



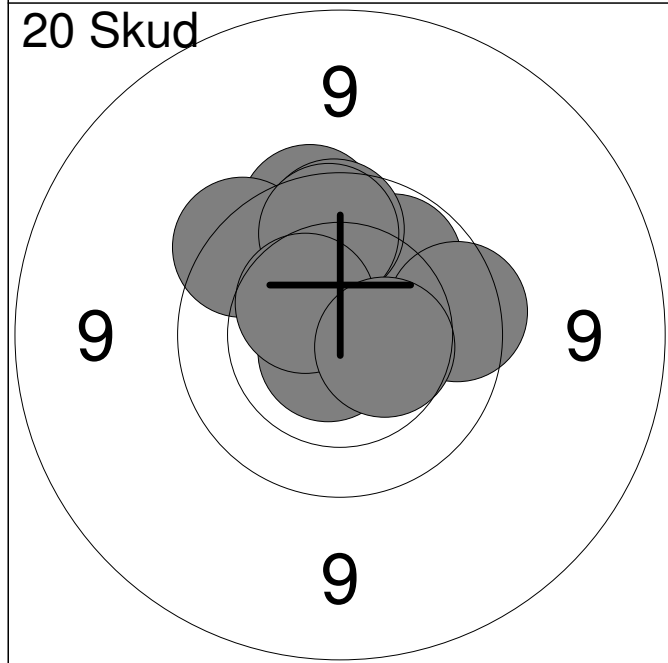
11:	10.2	↑
12:	*10.6	↗
13:	10.3	←
14:	*10.5	→
15:	10.1	←
16:	*10.7	←
17:	10.4	↑
18:	10.3	↑
19:	10.4	↘
20:	*10.8	→
Serie		100.0
Total		198.0



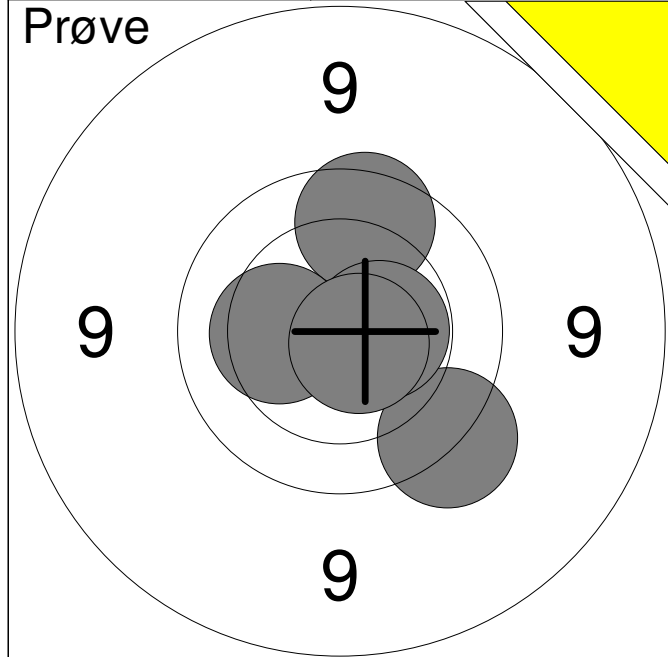
1:	9.7	↗
2:	*10.6	↖
3:	9.9	↓
4:	10.4	↓
5:	9.9	↓
Serie		47.0
Total		0.0



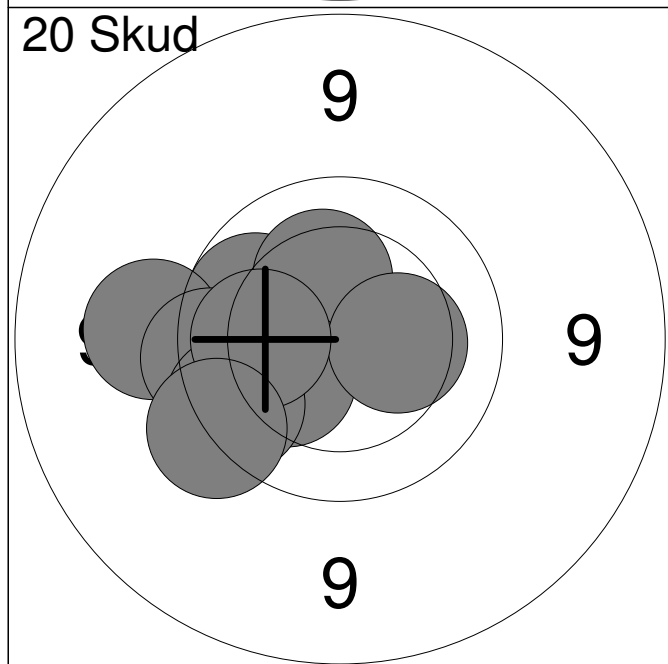
1:	10.0	↖
2:	10.1	↖
3:	*10.8	↑
4:	10.5	↘
5:	9.7	→
6:	10.3	↑
7:	10.4	↓
8:	10.4	→
9:	10.2	←
10:	10.2	↑
Serie		99.0
Total		99.0



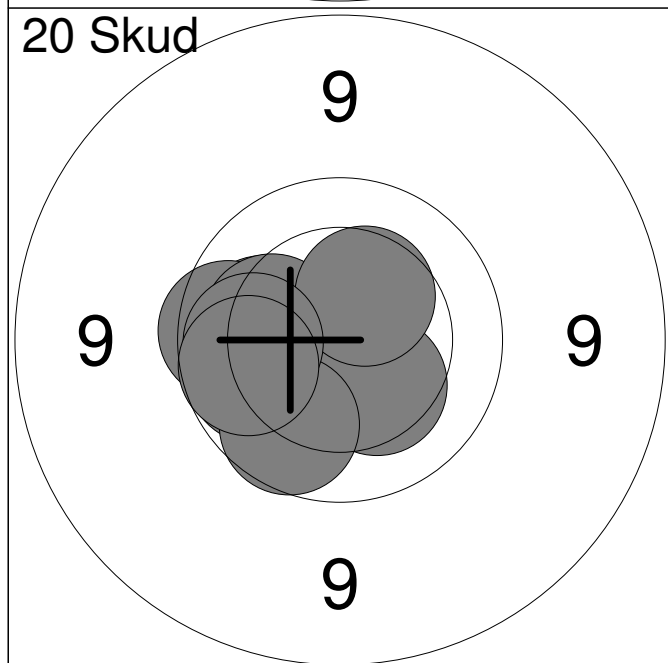
11:	*10.7	↖
12:	10.0	↗
13:	9.8	↑
14:	9.9	↑
15:	10.1	↗
16:	9.8	→
17:	9.7	↗
18:	9.9	↑
19:	10.4	↗
20:	10.5	→
Serie		95.0
Total		194.0



1:	9.8	↑
2:	9.6	↓
3:	10.3	←
4:	*10.5	→
5:	*10.7	↓
Serie		48.0
Total		0.0



1:	10.0	↖
2:	10.3	↑
3:	9.4	←
4:	10.0	↖
5:	9.7	←
6:	10.2	↖
7:	10.3	→
8:	9.8	↖
9:	10.1	←
10:	9.6	↖
Serie		96.0
Total		96.0

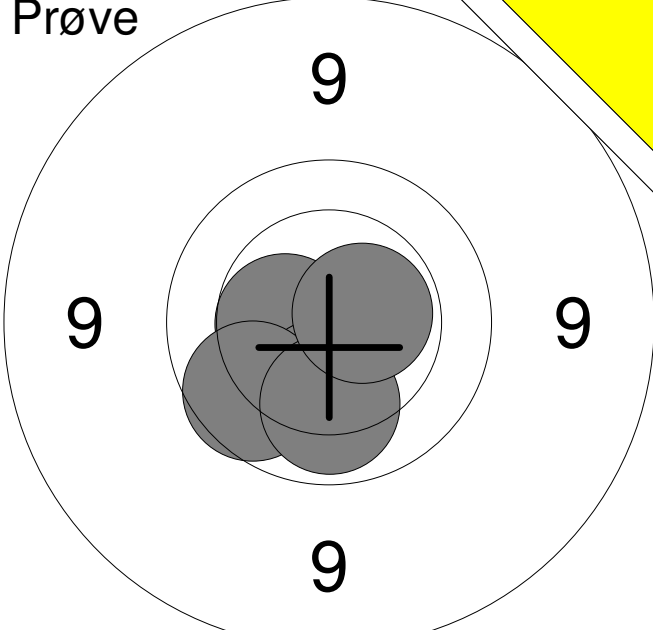


11:	10.0	↖
12:	10.1	↖
13:	9.8	↖
14:	10.1	↖
15:	10.2	↖
16:	10.3	↓
17:	9.9	↖
18:	10.4	↑
19:	10.0	←
20:	9.9	↖
Serie		97.0
Total		193.0

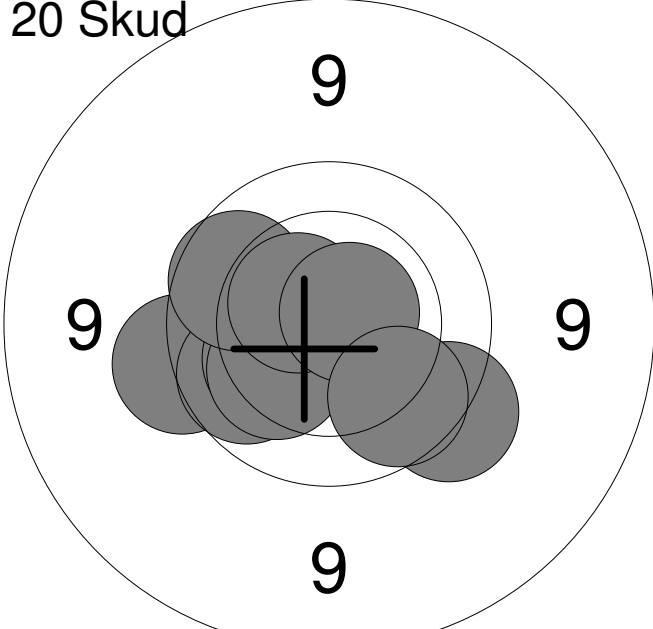
Hold	Skive	Hugo W. Sørensen	
1	10		

15m	Skf. Kimbrene	V2	
-----	---------------	----	--

26.02.2013	NM Senior 2013	Aalborg Skyttekreds	
------------	----------------	---------------------	--

Prøve 	1: 10.5	←
	2: 10.2	↓
	3: 9.9	↙
	4: 10.1	↓
	5: *10.6	→
Serie	49.0	
Total	0.0	

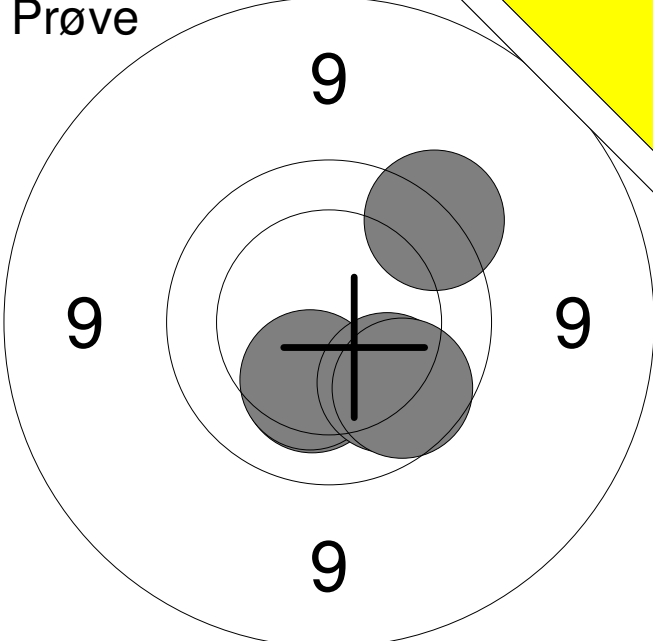
20 Skud 	1: 9.7	↘
	2: 10.3	↑
	3: *10.7	↗
	4: *10.9	↖
	5: 10.2	↗
	6: 10.4	↗
	7: *10.6	↓
	8: 9.8	↓
	9: 9.9	↑
	10: 10.2	↘
	Serie	97.0
Total	97.0	

20 Skud 	11: 9.6	←
	12: 10.3	←
	13: 9.9	↙
	14: 10.2	↙
	15: 10.2	↙
	16: 9.9	↖
	17: 9.6	↘
	18: *10.5	↗
	19: *10.7	↗
	20: 9.9	↘
	Serie	95.0
Total	192.0	

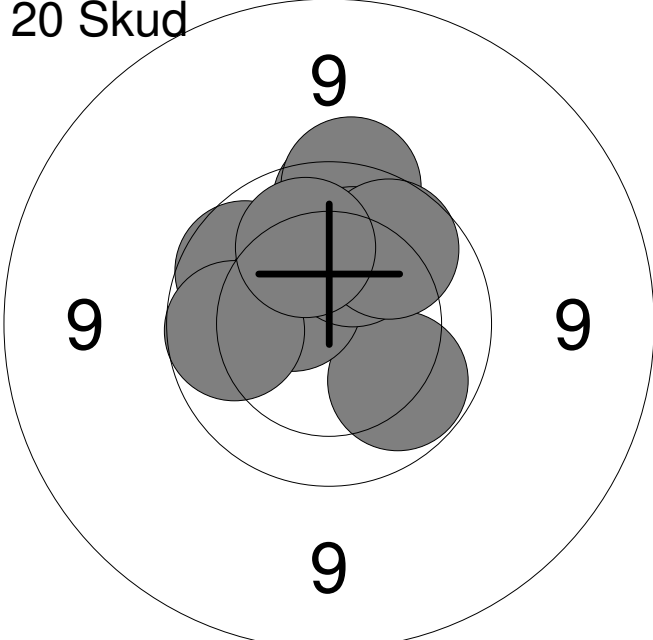
Hold 1	Skive 11	Ejmund Larsen	
------------------	--------------------	----------------------	--

15m	Skf. Kimbrenne	V1
-----	----------------	----

26.02.2013	NM Senior 2013	Aalborg Skyttekreds
------------	----------------	---------------------

Prøve 	1: 10.3	↘
	2: 10.3	↘
	3: 10.0	↘
	4: 9.6	↗
	5: 9.9	↘
Serie		48.0
Total		0.0

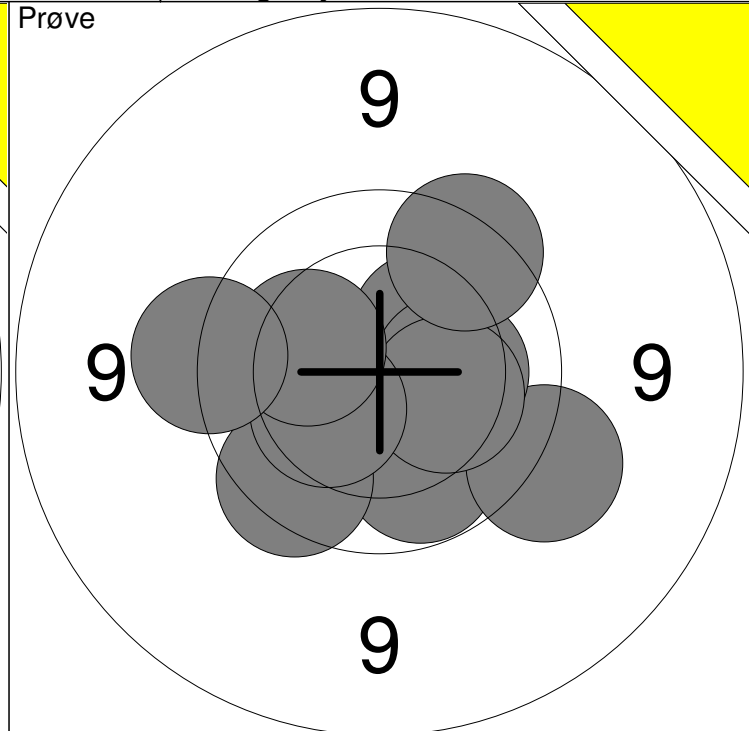
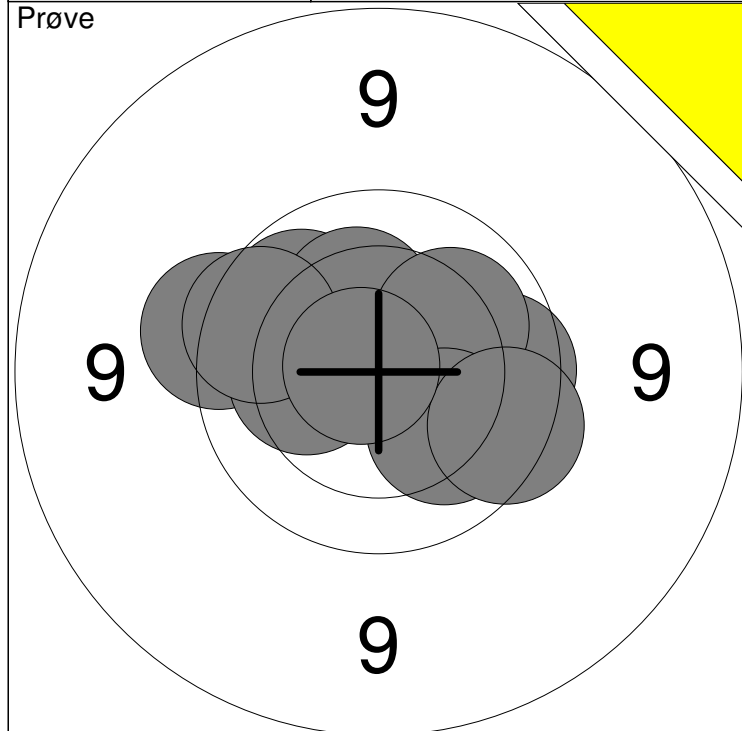
20 Skud 	1: 10.3	↗
	2: 10.3	→
	3: 10.1	↙
	4: 9.8	↗
	5: 10.2	↘
	6: 10.3	↗
	7: 10.3	↗
	8: *10.5	↗
	9: *10.7	←
	10: 10.4	↑
	Serie	
Total		99.0

20 Skud 	11: 10.4	↗
	12: 9.9	↗
	13: 10.0	↘
	14: 9.8	↑
	15: 9.7	↑
	16: 10.5	↗
	17: 9.9	←
	18: 10.2	↑
	19: 9.9	↗
	20: 10.1	↑
	Serie	
Total		194.0

Hold 1	Skive 12	Lise Kjær		
------------------	--------------------	------------------	--	--

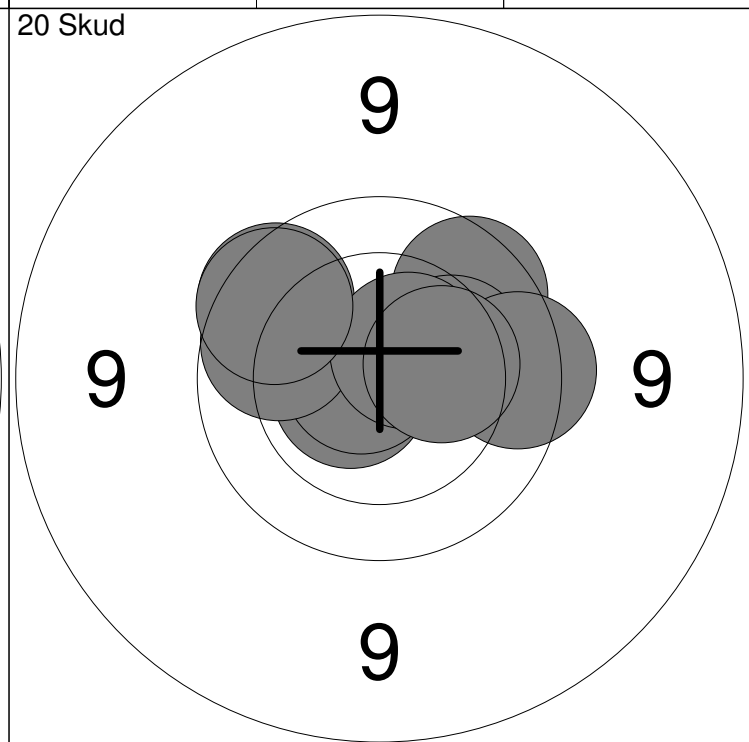
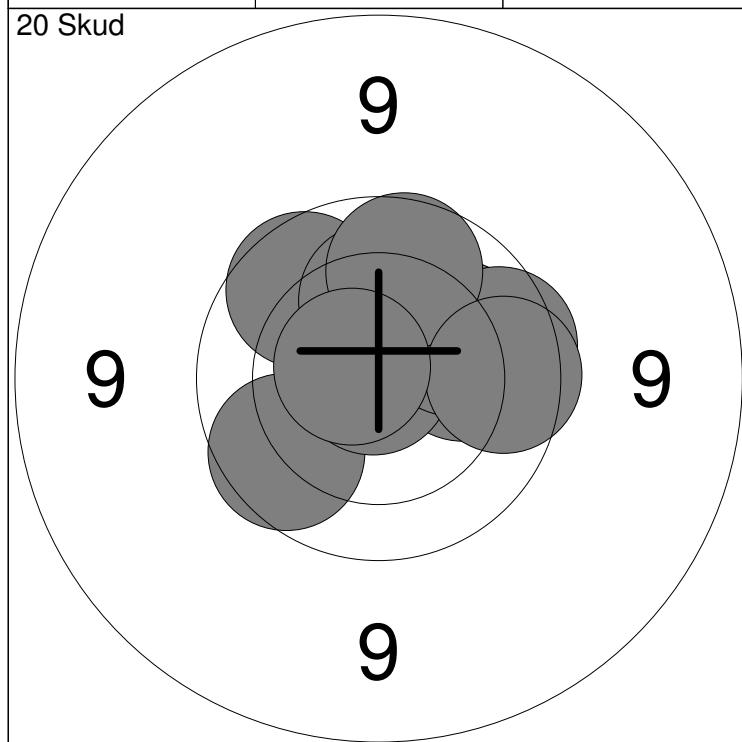
15m	Hobro Egnens Skytteforening	ÅK2	
-----	-----------------------------	-----	--

26.02.2013	NM Senior 2013	Aalborg Skyttekreds	
------------	----------------	---------------------	--



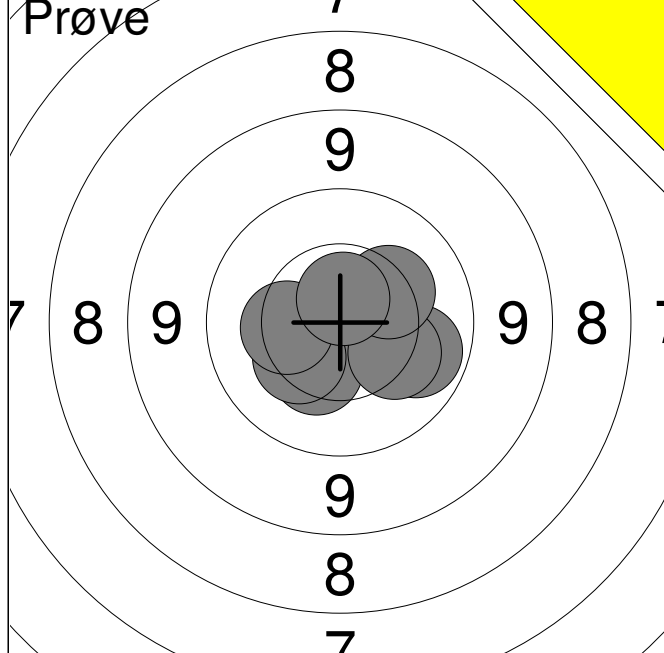
1: 9.9 →	6: 10.3 ←	Serie	96.0
2: 10.0 ↖	7: 10.1 ↘		
3: 9.6 ←	8: 9.8 →	Total	0.0
4: 10.3 ↑	9: 9.8 ←		
5: 10.1 ↗	10: *10.8 ↖		

11: 10.0 ↓	16: 10.3 →	Serie	96.0
12: 9.5 →	17: 9.7 ↗		
13: 9.8 ↘	18: 10.3 ←	Total	0.0
14: 10.3 ↗	19: 10.2 ←		
15: 10.3 →	20: 9.6 ←		

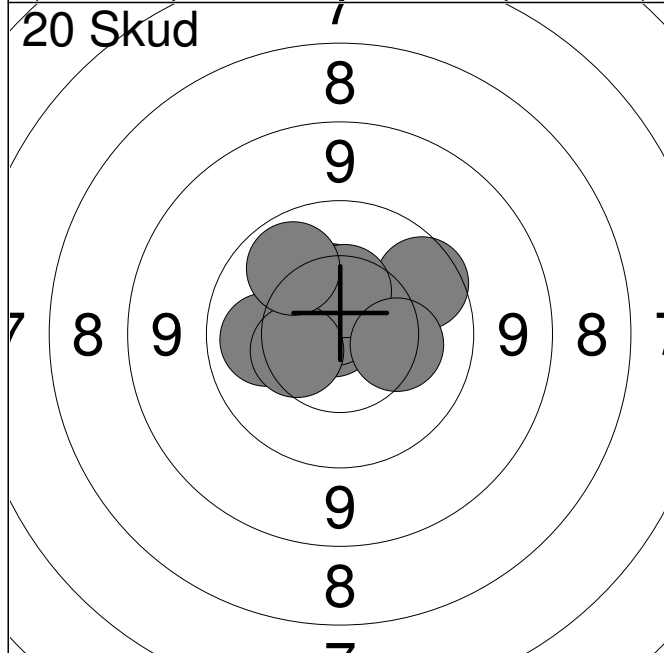


1: 10.1 →	6: 10.2 ↑	Serie	95.0
2: 9.9 ↖	7: 9.8 →		
3: 9.9 ↙	8: 9.9 ↑	Total	95.0
4: *10.9 ↖	9: 9.8 →		
5: 10.1 ↗	10: *10.7 ↖		

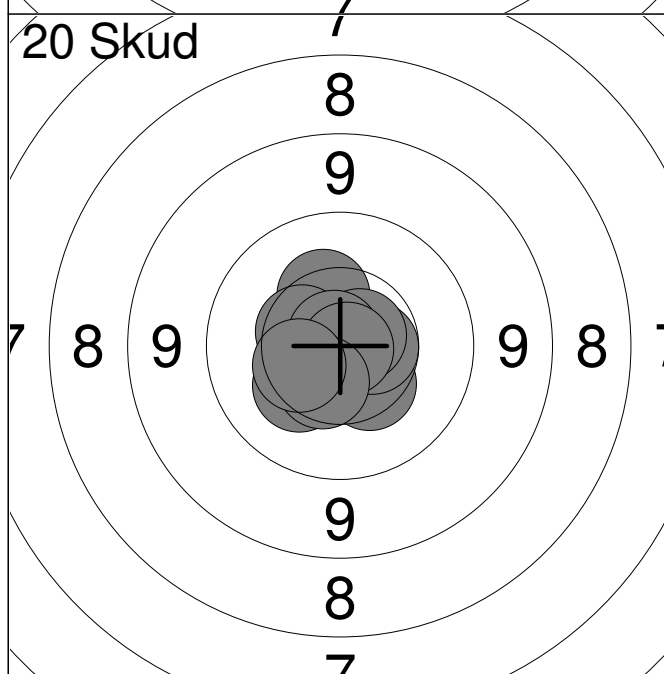
11: *10.7 ↖	16: 10.2 →	Serie	95.0
12: *10.8 ↖	17: 9.8 →		
13: 9.8 ↗	18: *10.6 ↗	Total	190.0
14: 9.8 ↖	19: 9.8 ↖		
15: 9.9 ↖	20: 10.3 →		



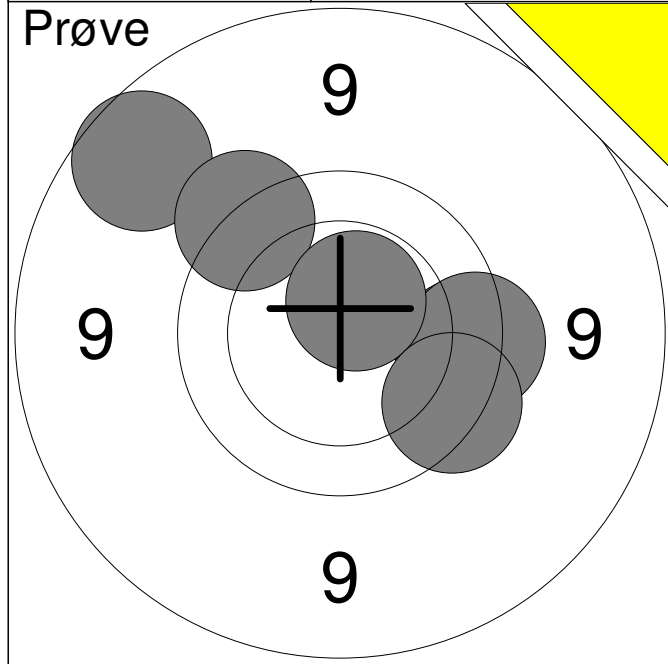
1:	10.4	↙
2:	10.0	→
3:	10.3	↙
4:	10.2	→
5:	10.3	↗
6:	10.3	←
7:	*10.7	↑
Serie		70.0
Total		0.0



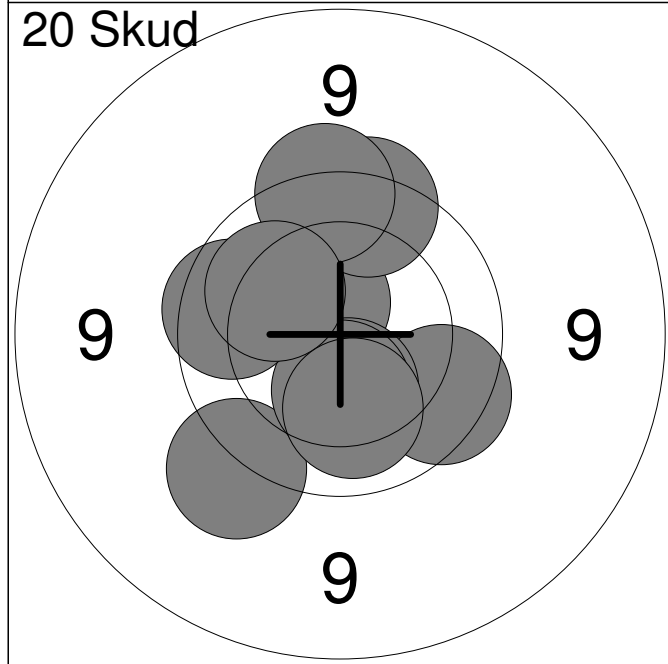
1:	*10.9	↖
2:	9.8	↗
3:	10.4	↑
4:	*10.7	↑
5:	10.1	←
6:	*10.8	↖
7:	10.4	↑
8:	10.4	←
9:	10.0	↖
10:	10.3	→
Serie		99.0
Total		99.0



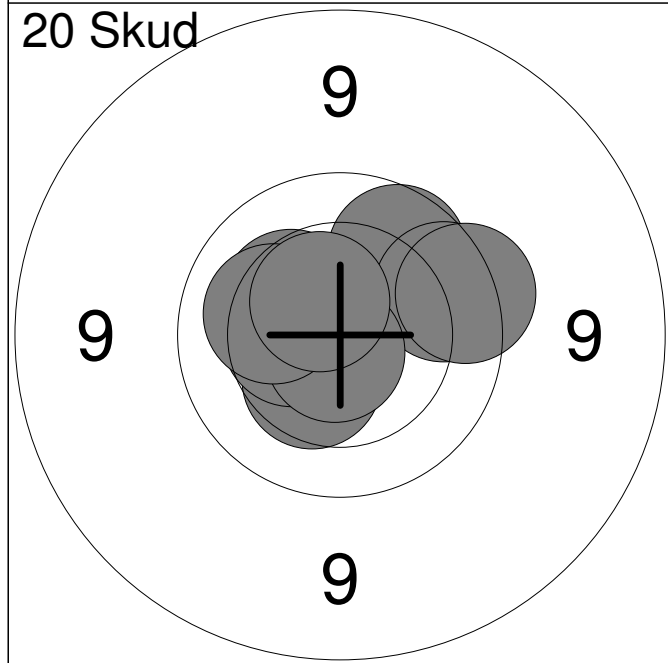
11:	10.3	↑
12:	10.4	↙
13:	10.6	→
14:	10.5	↖
15:	*10.7	↗
16:	*10.8	↖
17:	*10.9	→
18:	10.3	↙
19:	10.5	↙
20:	10.4	←
Serie		100.0
Total		199.0



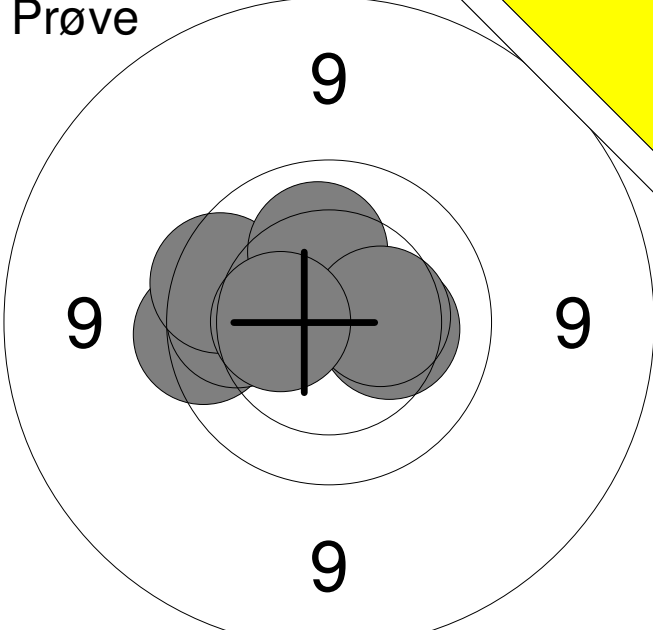
1:	8.9	↗
2:	9.7	→
3:	9.6	↗
4:	9.7	→
5:	*10.6	↗
6:	9.7	↘
Serie		54.0
Total		0.0



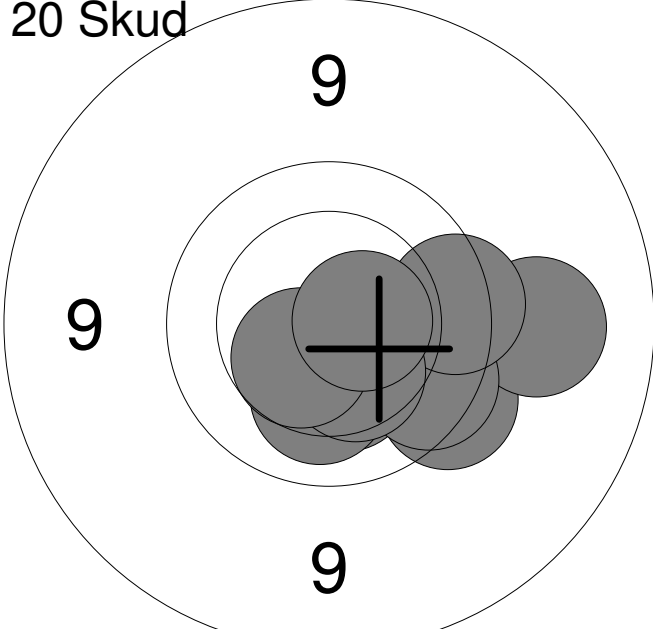
1:	9.8	↘
2:	*10.5	↗
3:	10.4	↘
4:	9.5	↙
5:	10.3	↘
6:	9.8	←
7:	9.7	↗
8:	9.6	↗
9:	10.1	↗
10:	10.1	↘
Serie		95.0
Total		95.0

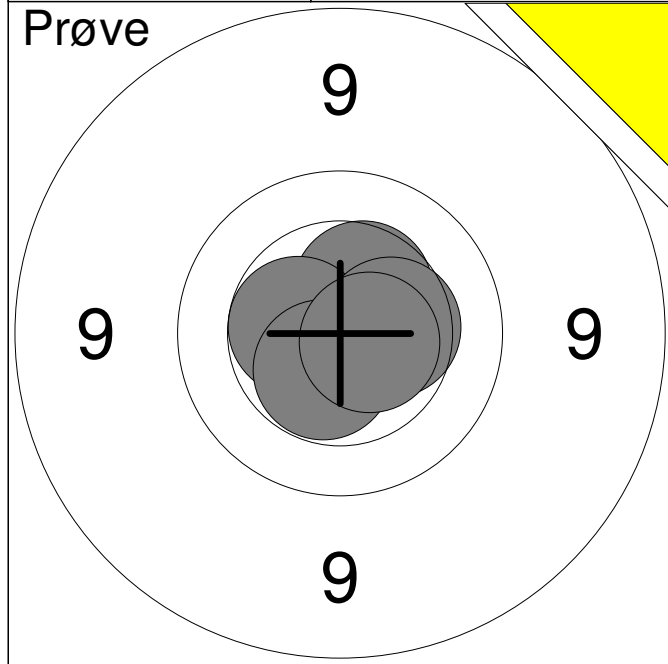


11:	10.4	↙
12:	10.4	←
13:	*10.7	↖
14:	9.9	↗
15:	9.8	→
16:	*10.8	↘
17:	9.7	→
18:	10.3	↗
19:	10.2	↖
20:	*10.5	↗
Serie		97.0
Total		192.0

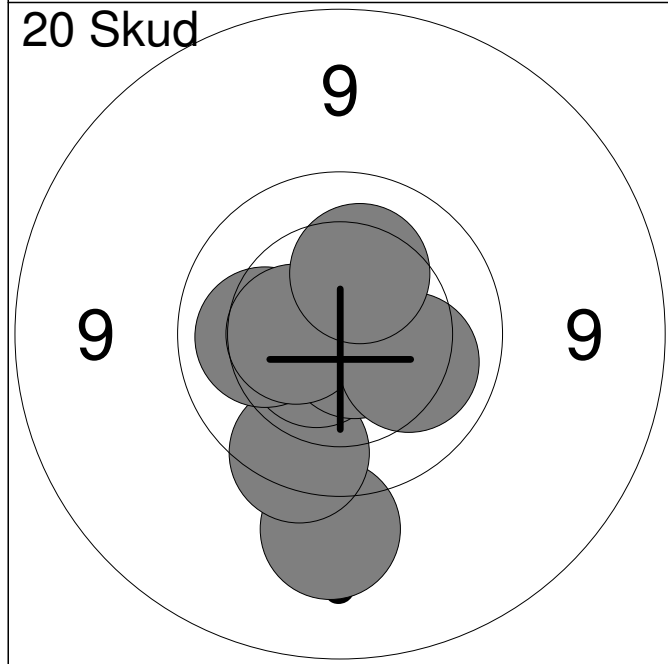
<p>Prøve</p> 	<table style="width:100%; border-collapse: collapse;"> <tr><td style="width:10%;">1:</td><td style="width:80%;">9.7</td><td style="width:10%; text-align: right;">←</td></tr> <tr><td>2:</td><td>10.0</td><td style="text-align: right;">←</td></tr> <tr><td>3:</td><td>9.8</td><td style="text-align: right;">↖</td></tr> <tr><td>4:</td><td>10.2</td><td style="text-align: right;">↑</td></tr> <tr><td>5:</td><td>10.3</td><td style="text-align: right;">→</td></tr> <tr><td>6:</td><td>10.4</td><td style="text-align: right;">→</td></tr> <tr><td>7:</td><td>10.4</td><td style="text-align: right;">←</td></tr> </table>	1:	9.7	←	2:	10.0	←	3:	9.8	↖	4:	10.2	↑	5:	10.3	→	6:	10.4	→	7:	10.4	←
1:	9.7	←																				
2:	10.0	←																				
3:	9.8	↖																				
4:	10.2	↑																				
5:	10.3	→																				
6:	10.4	→																				
7:	10.4	←																				
<table style="width:100%; border-collapse: collapse;"> <tr> <td style="width:85%;">Serie</td> <td style="width:15%; text-align: right;">68.0</td> </tr> <tr> <td>Total</td> <td style="text-align: right;">0.0</td> </tr> </table>		Serie	68.0	Total	0.0																	
Serie	68.0																					
Total	0.0																					

<p>20 Skud</p> 	<table style="width:100%; border-collapse: collapse;"> <tr><td style="width:10%;">1:</td><td style="width:80%;">10.0</td><td style="width:10%; text-align: right;">↖</td></tr> <tr><td>2:</td><td>9.8</td><td style="text-align: right;">←</td></tr> <tr><td>3:</td><td>10.1</td><td style="text-align: right;">↓</td></tr> <tr><td>4:</td><td>10.3</td><td style="text-align: right;">↗</td></tr> <tr><td>5:</td><td>*10.7</td><td style="text-align: right;">↖</td></tr> <tr><td>6:</td><td>10.2</td><td style="text-align: right;">↗</td></tr> <tr><td>7:</td><td>9.8</td><td style="text-align: right;">←</td></tr> <tr><td>8:</td><td>9.7</td><td style="text-align: right;">↓</td></tr> <tr><td>9:</td><td>*10.5</td><td style="text-align: right;">↓</td></tr> <tr><td>10:</td><td>10.0</td><td style="text-align: right;">↓</td></tr> </table>	1:	10.0	↖	2:	9.8	←	3:	10.1	↓	4:	10.3	↗	5:	*10.7	↖	6:	10.2	↗	7:	9.8	←	8:	9.7	↓	9:	*10.5	↓	10:	10.0	↓
1:	10.0	↖																													
2:	9.8	←																													
3:	10.1	↓																													
4:	10.3	↗																													
5:	*10.7	↖																													
6:	10.2	↗																													
7:	9.8	←																													
8:	9.7	↓																													
9:	*10.5	↓																													
10:	10.0	↓																													
<table style="width:100%; border-collapse: collapse;"> <tr> <td style="width:85%;">Serie</td> <td style="width:15%; text-align: right;">97.0</td> </tr> <tr> <td>Total</td> <td style="text-align: right;">97.0</td> </tr> </table>		Serie	97.0	Total	97.0																										
Serie	97.0																														
Total	97.0																														

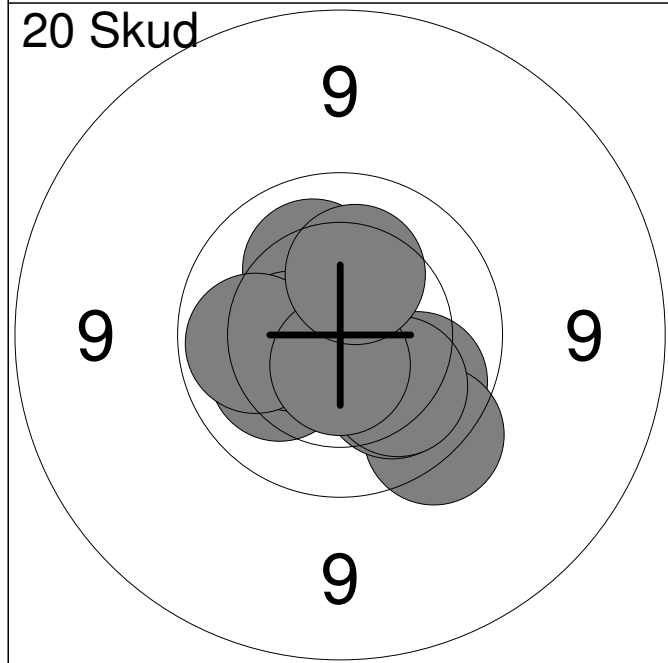
<p>20 Skud</p> 	<table style="width:100%; border-collapse: collapse;"> <tr><td style="width:10%;">11:</td><td style="width:80%;">10.3</td><td style="width:10%; text-align: right;">↓</td></tr> <tr><td>12:</td><td>9.9</td><td style="text-align: right;">→</td></tr> <tr><td>13:</td><td>9.7</td><td style="text-align: right;">↓</td></tr> <tr><td>14:</td><td>9.2</td><td style="text-align: right;">→</td></tr> <tr><td>15:</td><td>9.8</td><td style="text-align: right;">↓</td></tr> <tr><td>16:</td><td>10.2</td><td style="text-align: right;">↓</td></tr> <tr><td>17:</td><td>9.7</td><td style="text-align: right;">→</td></tr> <tr><td>18:</td><td>10.4</td><td style="text-align: right;">↓</td></tr> <tr><td>19:</td><td>10.5</td><td style="text-align: right;">↙</td></tr> <tr><td>20:</td><td>*10.6</td><td style="text-align: right;">→</td></tr> </table>	11:	10.3	↓	12:	9.9	→	13:	9.7	↓	14:	9.2	→	15:	9.8	↓	16:	10.2	↓	17:	9.7	→	18:	10.4	↓	19:	10.5	↙	20:	*10.6	→
11:	10.3	↓																													
12:	9.9	→																													
13:	9.7	↓																													
14:	9.2	→																													
15:	9.8	↓																													
16:	10.2	↓																													
17:	9.7	→																													
18:	10.4	↓																													
19:	10.5	↙																													
20:	*10.6	→																													
<table style="width:100%; border-collapse: collapse;"> <tr> <td style="width:85%;">Serie</td> <td style="width:15%; text-align: right;">95.0</td> </tr> <tr> <td>Total</td> <td style="text-align: right;">192.0</td> </tr> </table>		Serie	95.0	Total	192.0																										
Serie	95.0																														
Total	192.0																														



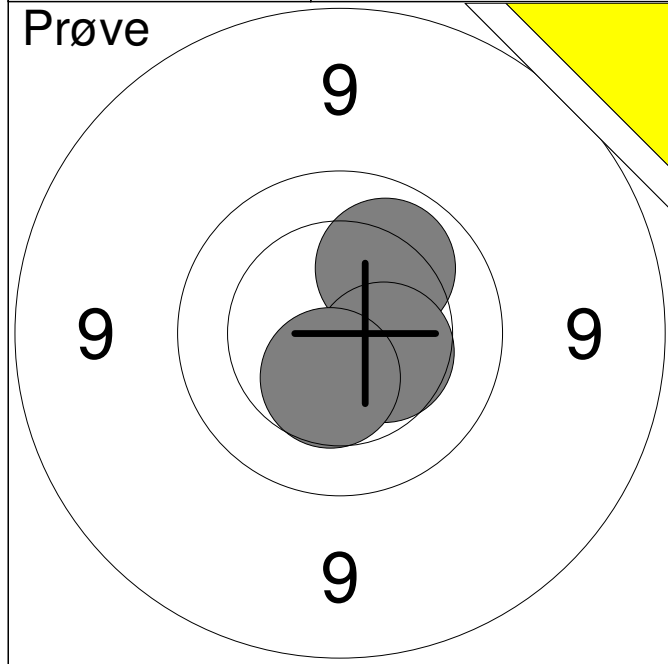
1:	10.4	↗
2:	*10.5	←
3:	10.4	→
4:	*10.5	↘
5:	*10.6	↗
Serie		50.0
Total		0.0



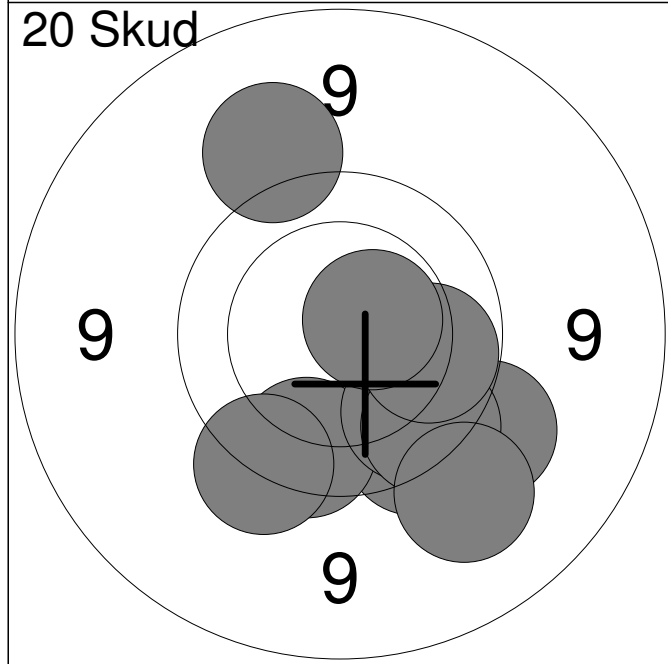
1:	*10.8	↓
2:	9.3	↓
3:	*10.8	↓
4:	9.7	↘
5:	*10.6	↖
6:	10.1	←
7:	*10.7	↘
8:	10.5	←
9:	10.1	→
10:	10.3	↗
Serie		98.0
Total		98.0



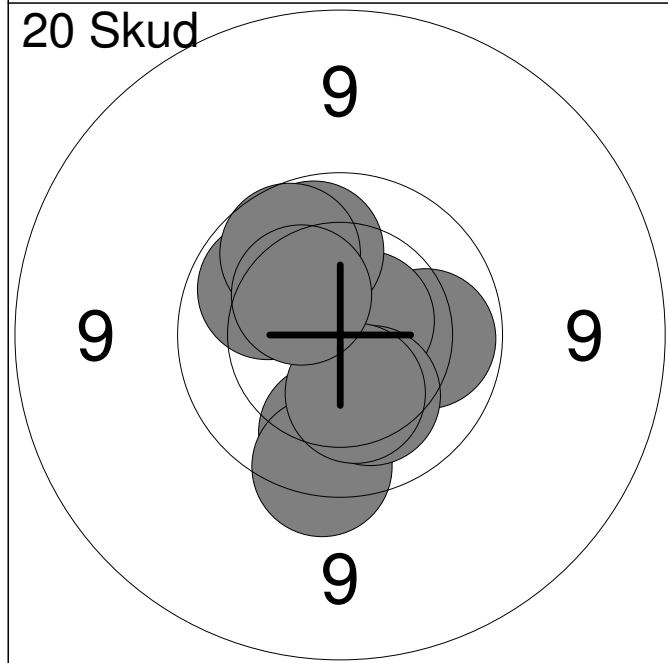
11:	10.0	↘
12:	9.7	↘
13:	10.1	↘
14:	10.2	↗
15:	10.2	↖
16:	10.1	↘
17:	10.4	←
18:	10.0	←
19:	*10.6	↓
20:	10.3	↗
Serie		99.0
Total		197.0



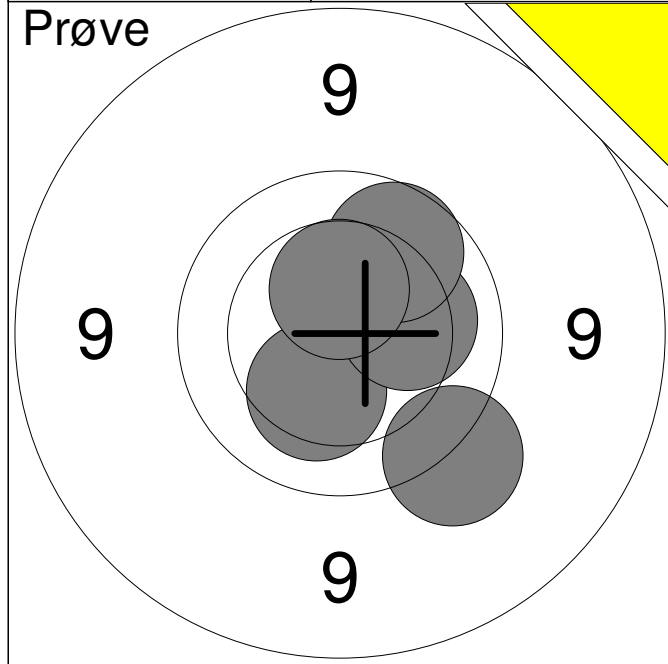
1:	10.1	↗
2:	10.4	→
3:	10.5	↓
Serie		30.0
Total		0.0



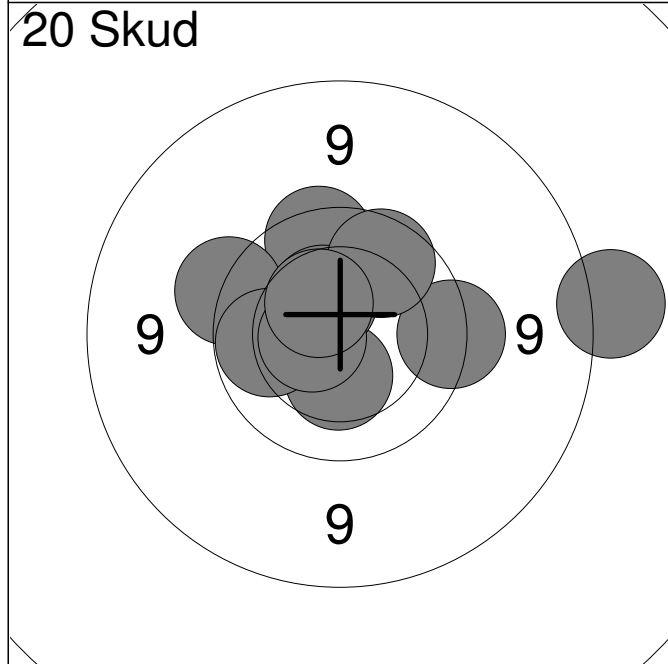
1:	9.7	↓
2:	9.8	↓
3:	9.9	↓
4:	9.4	↓
5:	9.7	↓
6:	9.3	↓
7:	9.6	↙
8:	10.0	→
9:	*10.6	↗
10:	9.3	↗
Serie		92.0
Total		92.0



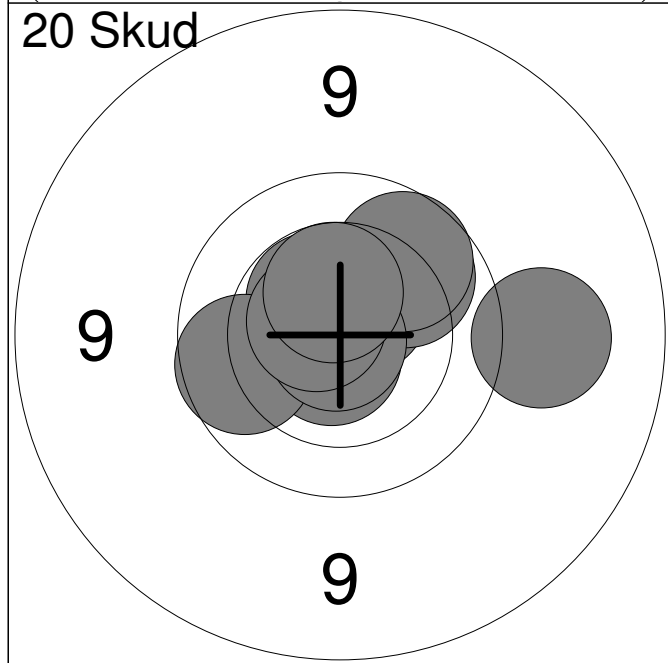
11:	10.0	→
12:	*10.6	↗
13:	10.0	↗
14:	9.9	↓
15:	10.0	↗
16:	9.7	↓
17:	10.2	↓
18:	10.3	↓
19:	9.9	↗
20:	10.3	↗
Serie		97.0
Total		189.0



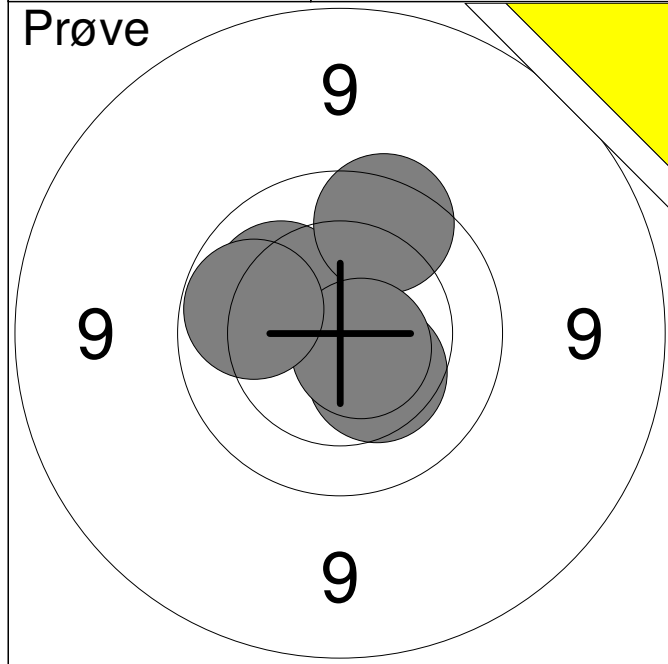
1:	10.3	↙
2:	9.5	↘
3:	10.2	→
4:	9.9	↗
5:	10.5	↑
Serie		48.0
Total		0.0



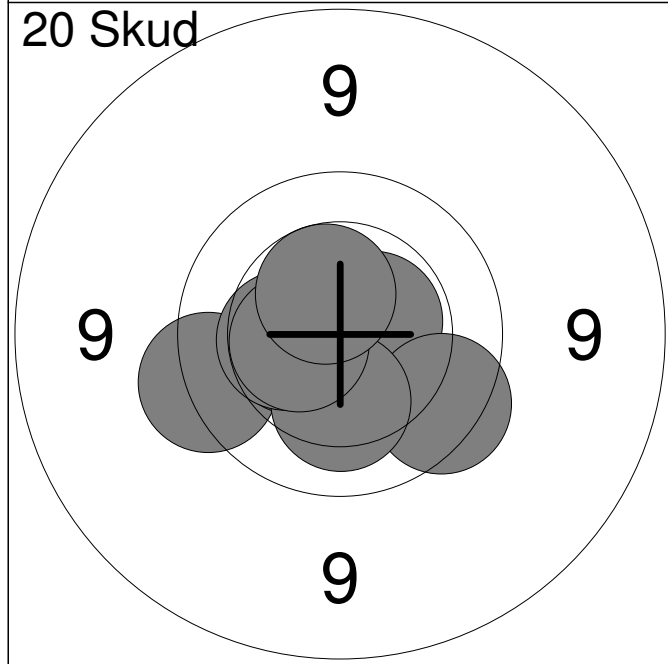
1:	9.8	↑
2:	9.6	→
3:	9.6	↖
4:	10.4	↓
5:	10.0	←
6:	10.4	↗
7:	*10.6	←
8:	9.9	↗
9:	8.6	→
10:	10.4	↖
Serie		94.0
Total		94.0



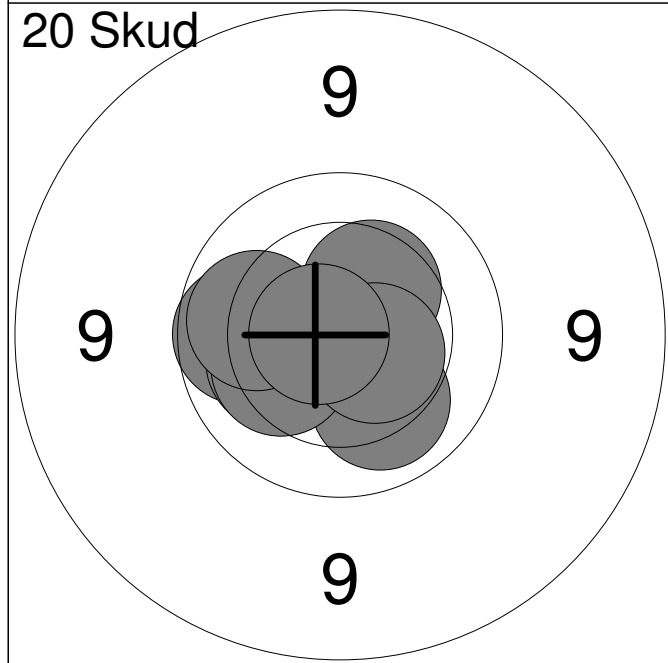
11:	*10.5	↖
12:	*10.6	↗
13:	10.0	↗
14:	9.3	→
15:	*10.7	↓
16:	9.9	←
17:	9.9	↗
18:	*10.9	↙
19:	*10.7	↖
20:	10.5	↑
Serie		97.0
Total		191.0



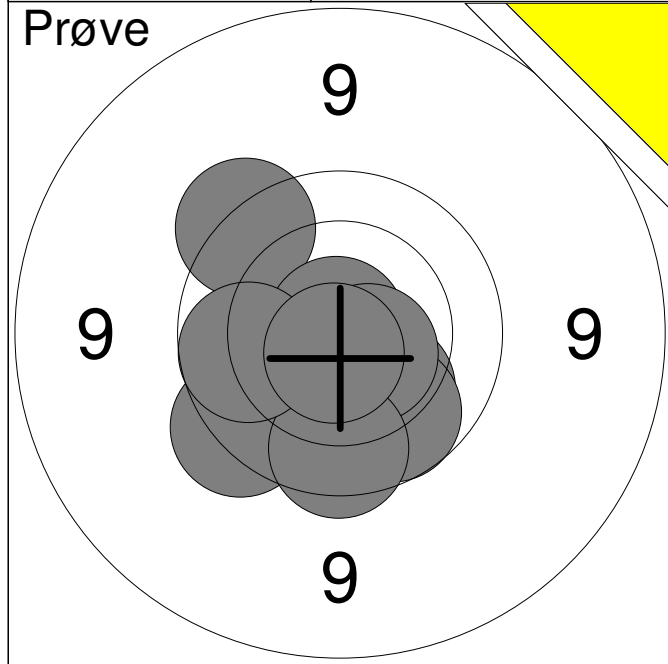
1:	10.2	↗
2:	9.8	↗
3:	10.4	↘
4:	*10.7	↘
5:	10.0	↖
Serie		49.0
Total		0.0



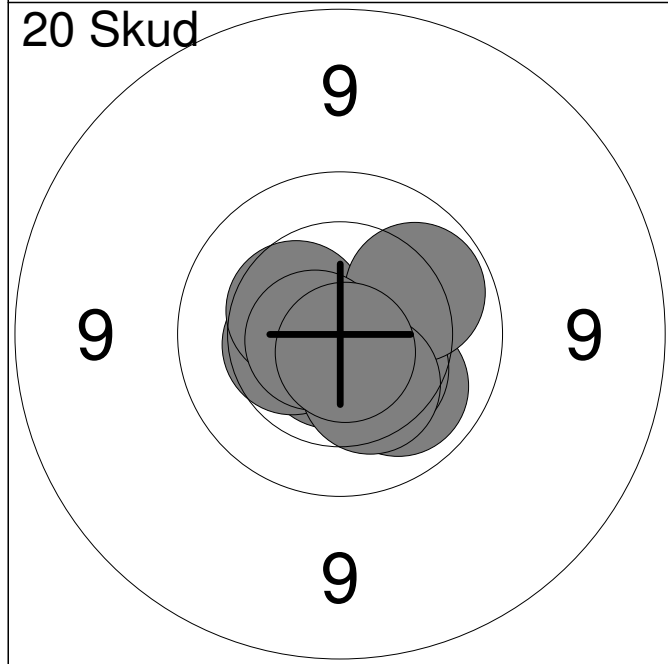
1:	9.7	↖
2:	*10.7	↗
3:	10.4	↘
4:	10.5	↖
5:	*10.6	↗
6:	9.8	↘
7:	10.2	↘
8:	10.4	↖
9:	*10.5	↖
10:	10.5	↗
Serie		98.0
Total		98.0



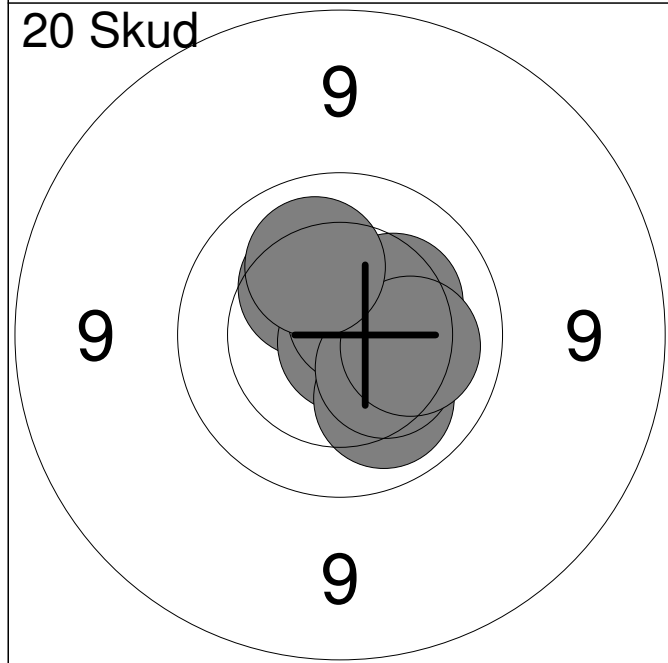
11:	9.9	↖
12:	*10.6	↖
13:	10.1	↘
14:	10.2	↖
15:	*10.9	↗
16:	10.4	↗
17:	10.2	↖
18:	*10.5	↘
19:	10.0	↖
20:	*10.7	↖
Serie		99.0
Total		197.0



1:	9.7	↗
2:	9.7	↖
3:	10.4	↘
4:	*10.9	↗
5:	10.2	↘
6:	9.9	↘
7:	*10.6	↘
8:	9.8	↓
9:	9.9	←
10:	*10.7	↓
Serie		95.0
Total		0.0



1:	10.1	↘
2:	*10.7	↘
3:	*10.6	↗
4:	10.4	←
5:	10.4	↘
6:	10.4	↗
7:	10.0	↗
8:	*10.7	←
9:	10.3	↘
10:	*10.7	↓
Serie		100.0
Total		100.0

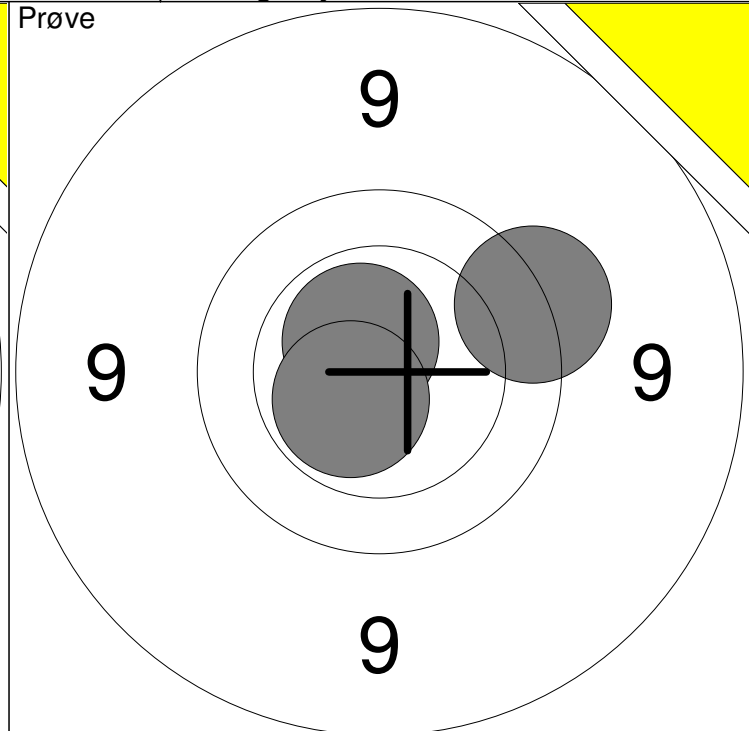
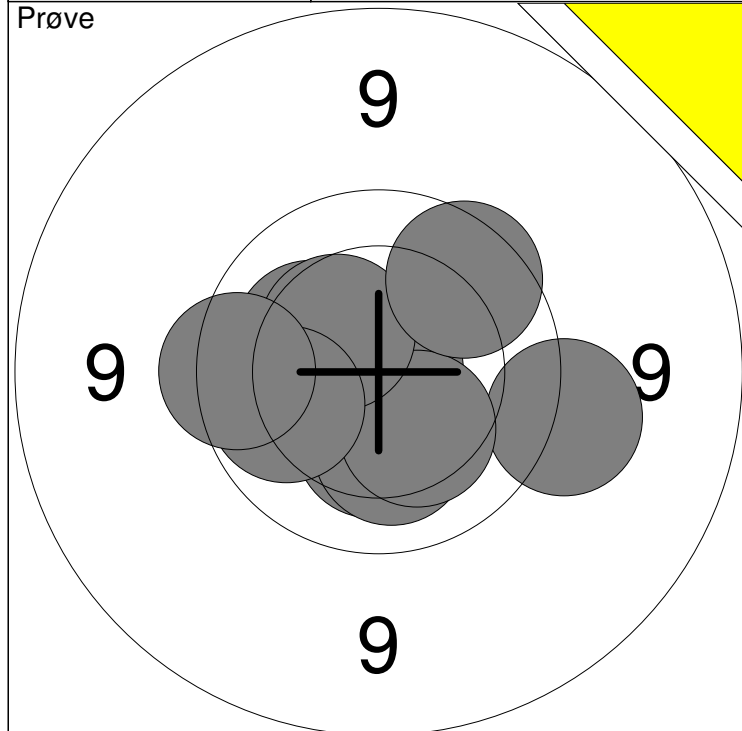


11:	10.3	→
12:	10.3	↗
13:	*10.8	↘
14:	*10.7	↗
15:	10.3	→
16:	10.1	↘
17:	10.3	↗
18:	10.3	↘
19:	10.2	→
20:	10.2	↗
Serie		100.0
Total		200.0

Hold 2	Skive 10	Ole Stefansen	
------------------	--------------------	----------------------	--

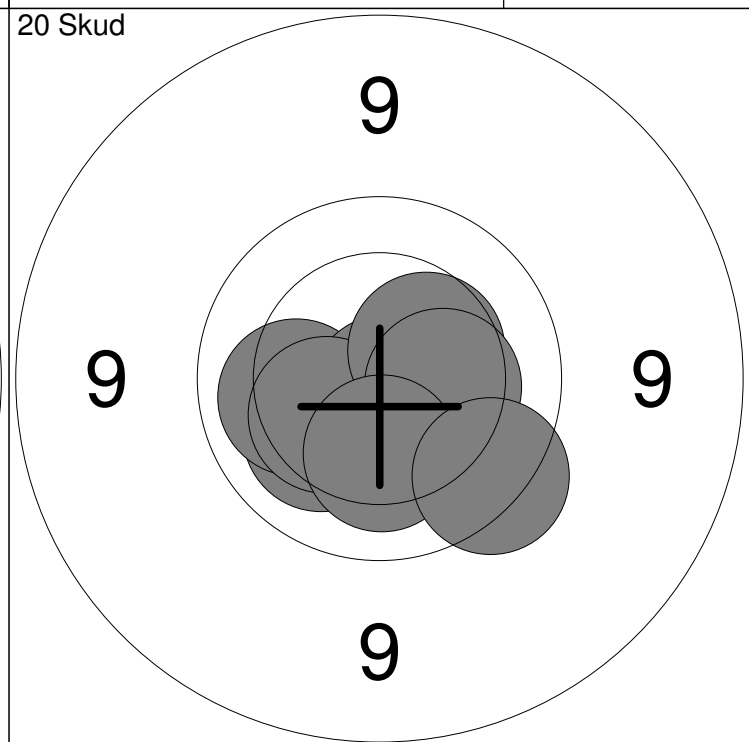
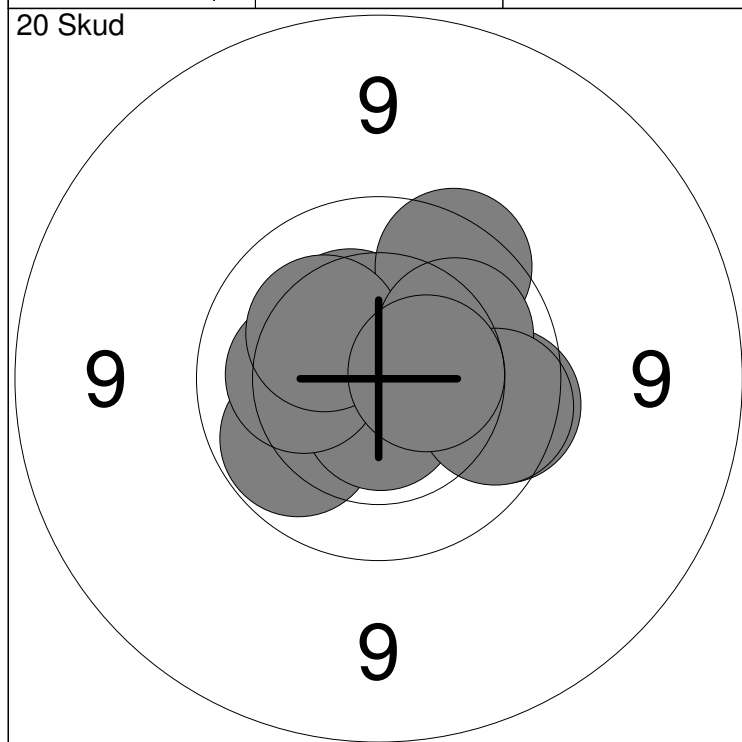
15m	Skf. Kimbrenne	V1
-----	----------------	----

26.02.2013	NM Senior 2013	Aalborg Skyttekreds
------------	----------------	---------------------



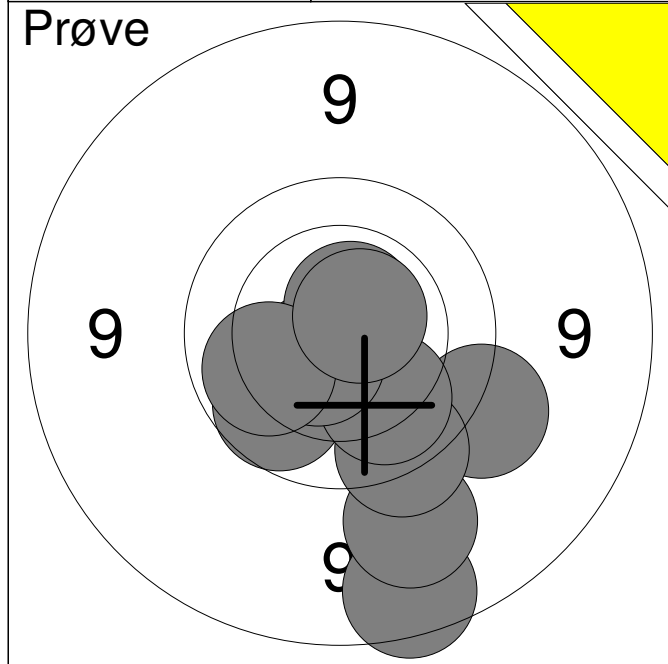
1: 10.2 ↙	6: 10.3 ↓	Serie 97.0
2: 9.5 →	7: 10.4 ↗	
3: *10.9 ↗	8: 10.0 ←	Total 0.0
4: 10.3 ↓	9: 9.7 ←	
5: 10.2 ↓	10: 9.8 ↗	

11: 9.6 →	Serie 29.0
12: *10.6 ↗	
13: *10.6 ↙	Total 0.0

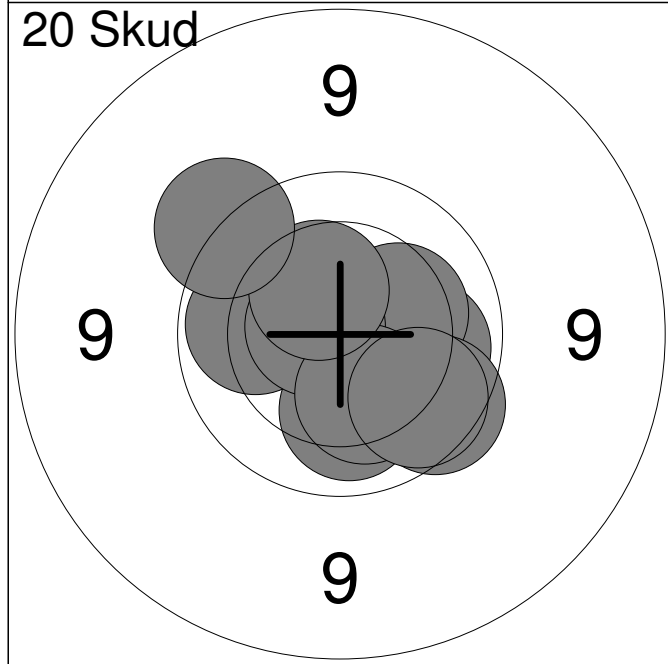


1: 10.0 ↙	6: 10.2 ←	Serie 97.0
2: 10.4 ↗	7: 10.3 ↗	
3: *10.6 ↓	8: 10.1 ↗	Total 97.0
4: 9.8 ↗	9: 9.9 →	
5: 9.8 →	10: 10.5 →	

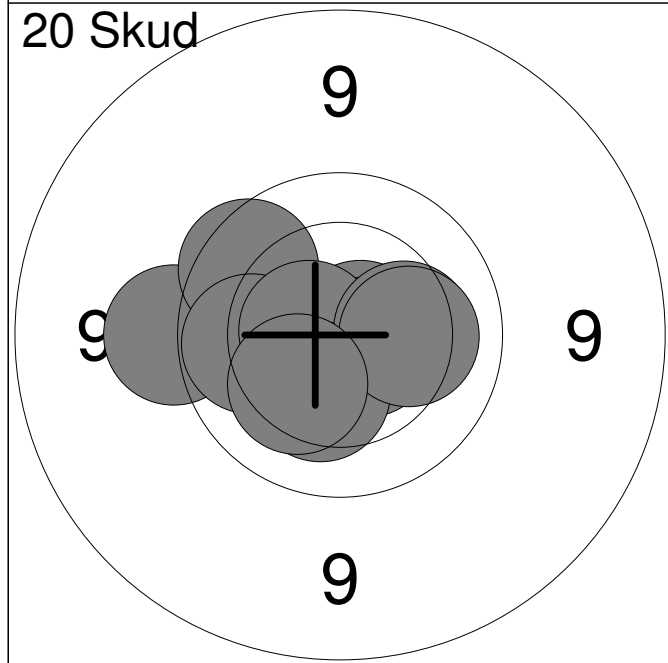
11: 10.2 ↙	16: 10.3 ↙	Serie 99.0
12: 10.3 ↓	17: 10.4 ↗	
13: 10.1 ←	18: 10.3 →	Total 196.0
14: *10.8 ↓	19: 10.2 ↓	
15: 10.5 ↓	20: 9.7 ↓	



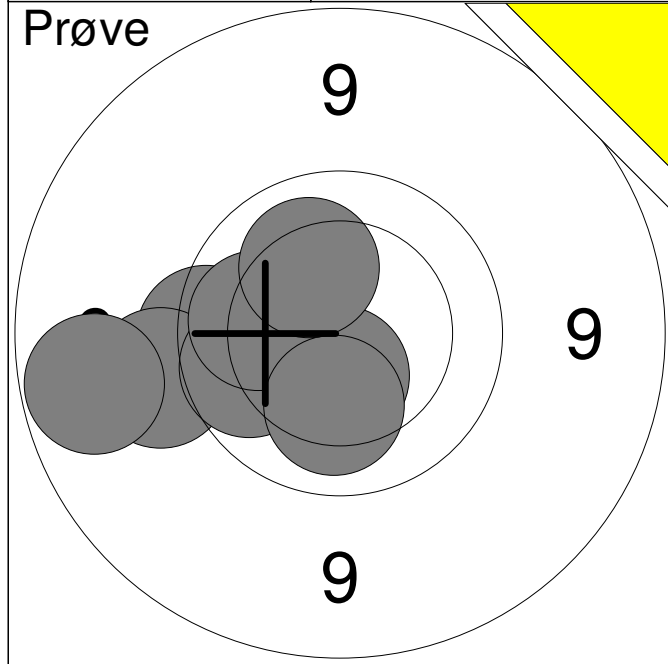
1:	8.9	↓
2:	9.2	↓
3:	9.5	↓
4:	9.7	↓
5:	9.9	↙
6:	10.1	↓
7:	*10.6	↙
8:	*10.6	↑
9:	10.1	↙
10:	*10.7	↗
Serie		94.0
Total		0.0



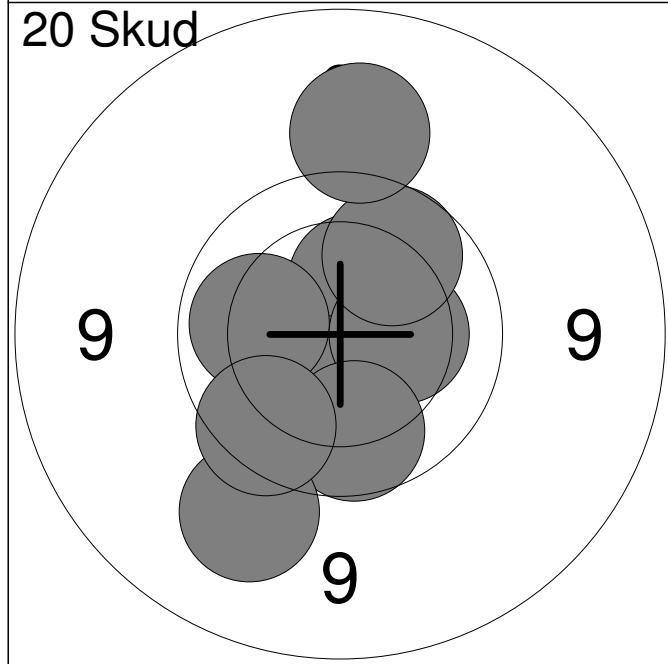
1:	10.1	↓
2:	10.1	→
3:	10.3	→
4:	9.8	↓
5:	10.0	←
6:	*10.7	←
7:	10.3	↓
8:	10.4	↗
9:	9.9	↓
10:	9.6	↗
Serie		97.0
Total		97.0



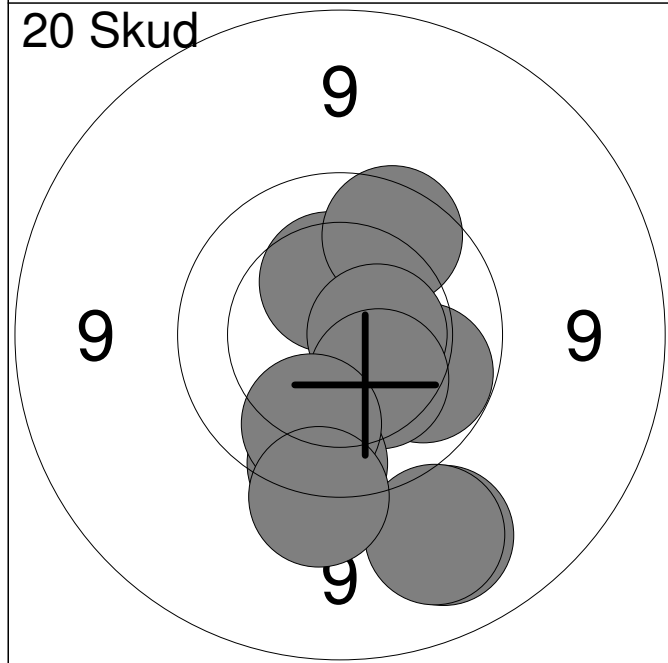
11:	*10.7	→
12:	9.5	←
13:	9.8	↗
14:	*10.6	↓
15:	10.0	←
16:	*10.6	←
17:	10.3	↓
18:	10.3	→
19:	10.2	→
20:	10.3	↙
Serie		98.0
Total		195.0



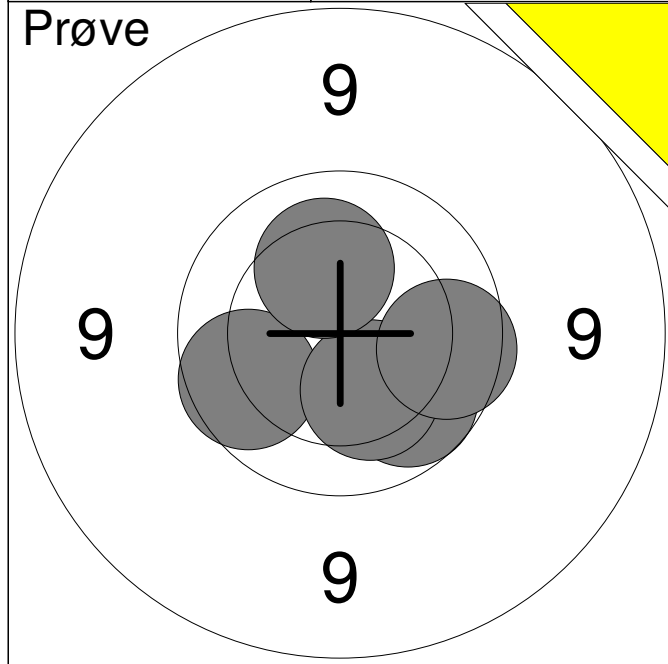
1:	9.7	←
2:	9.4	←
3:	9.9	←
4:	9.0	←
5:	10.5	↓
6:	10.1	←
7:	10.2	↓
8:	10.2	↑
Serie		76.0
Total		0.0



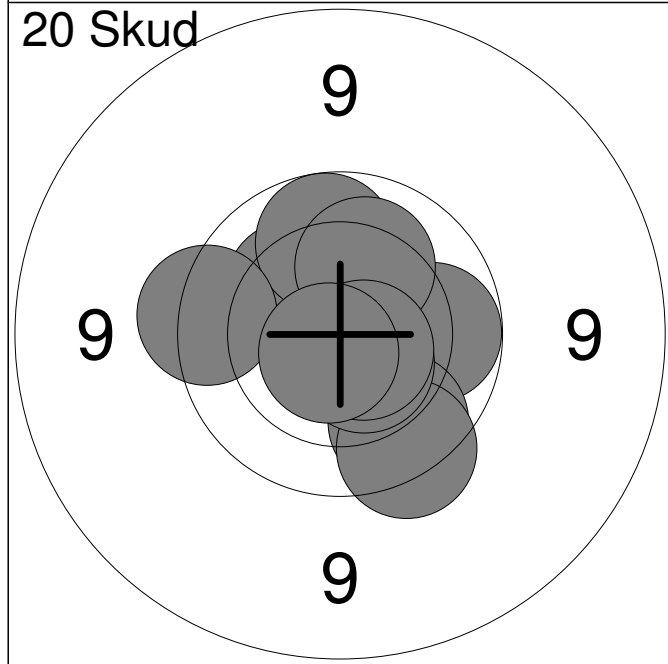
1:	10.4	↑
2:	10.4	↓
3:	9.8	↙
4:	10.1	←
5:	10.3	→
6:	9.9	↓
7:	9.9	↗
8:	9.3	↙
9:	9.8	↙
10:	9.3	↑
Serie		94.0
Total		94.0



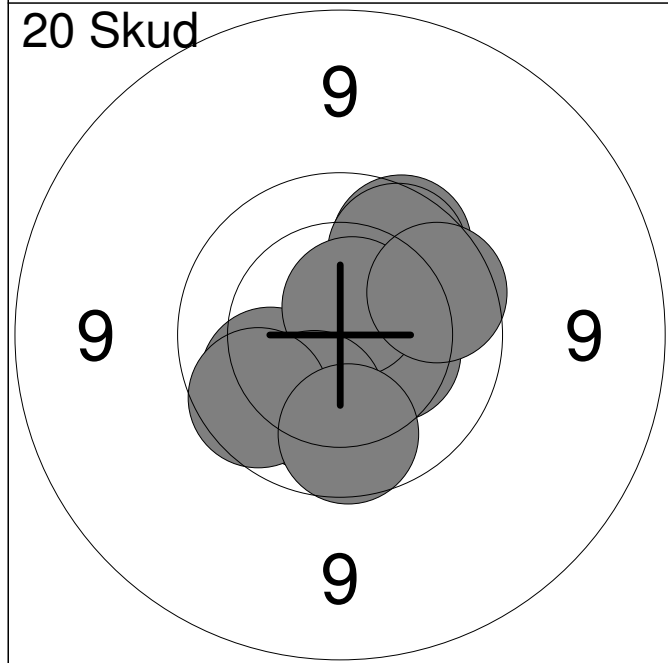
11:	10.4	↑
12:	9.8	↗
13:	10.0	↘
14:	*10.5	→
15:	10.3	↘
16:	9.1	↘
17:	9.2	↘
18:	9.7	↘
19:	9.9	↘
20:	9.5	↓
Serie		94.0
Total		188.0



1:	9.9	↙
2:	9.9	↓
3:	10.3	↓
4:	9.9	→
5:	10.2	↑
Serie		47.0
Total		0.0



1:	10.3	↗
2:	10.0	↑
3:	10.0	→
4:	9.7	↖
5:	9.9	↓
6:	9.7	↓
7:	10.2	↑
8:	*10.5	↓
9:	*10.6	↓
10:	*10.7	↙
Serie		97.0
Total		97.0

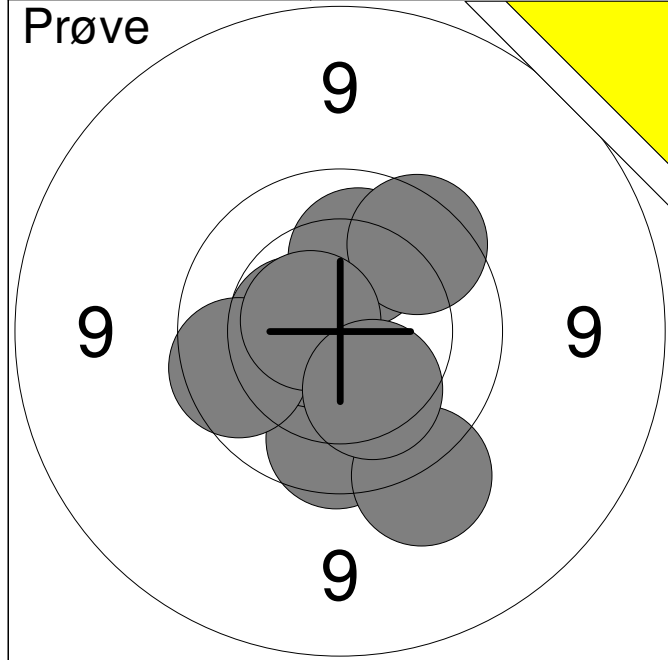


11:	10.1	↖
12:	9.8	↗
13:	9.9	↗
14:	10.4	→
15:	10.4	→
16:	*10.6	↑
17:	10.2	↓
18:	9.9	↖
19:	9.9	→
20:	9.9	↓
Serie		95.0
Total		192.0

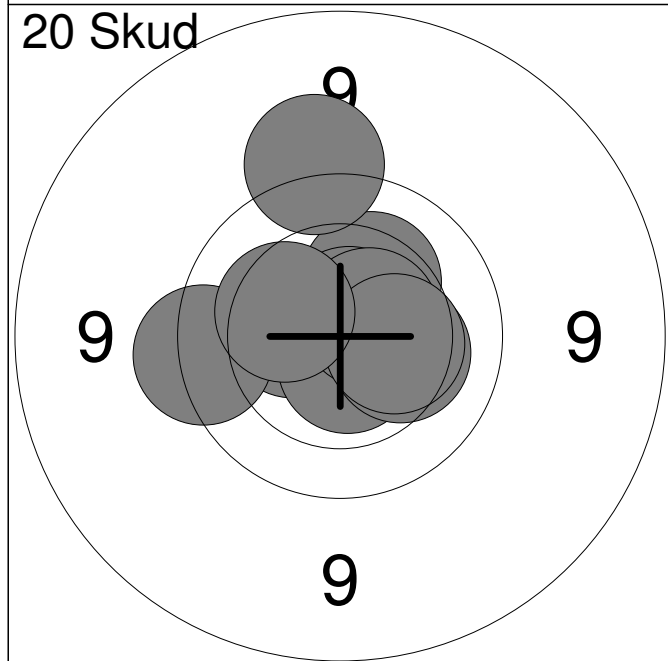
Hold 3	Skive 2	Bente W. Kjelgaard	
------------------	-------------------	---------------------------	--

15m	Skf. Kimbrenne	MV1
-----	----------------	-----

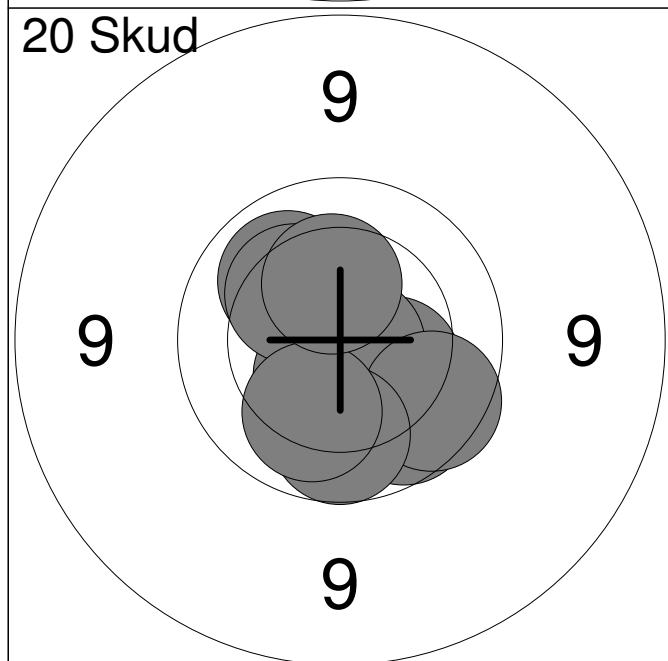
26.02.2013	NM Senior 2013	Aalborg Skyttekreds
------------	----------------	---------------------



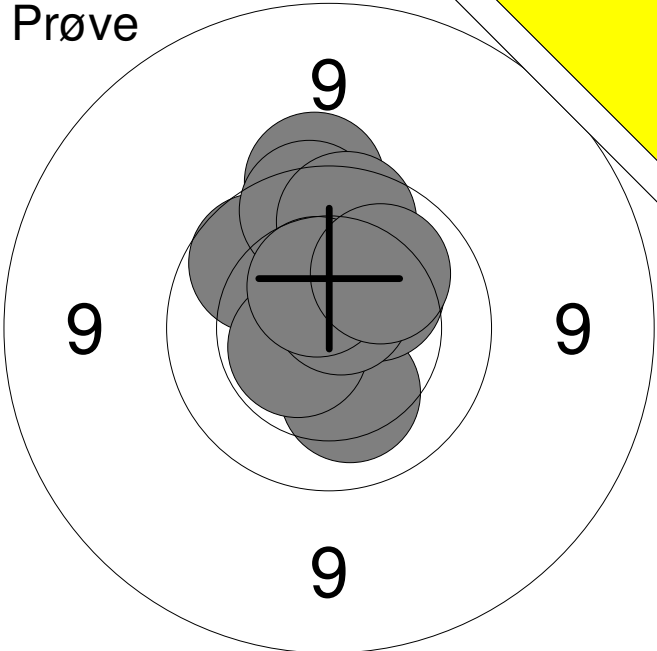
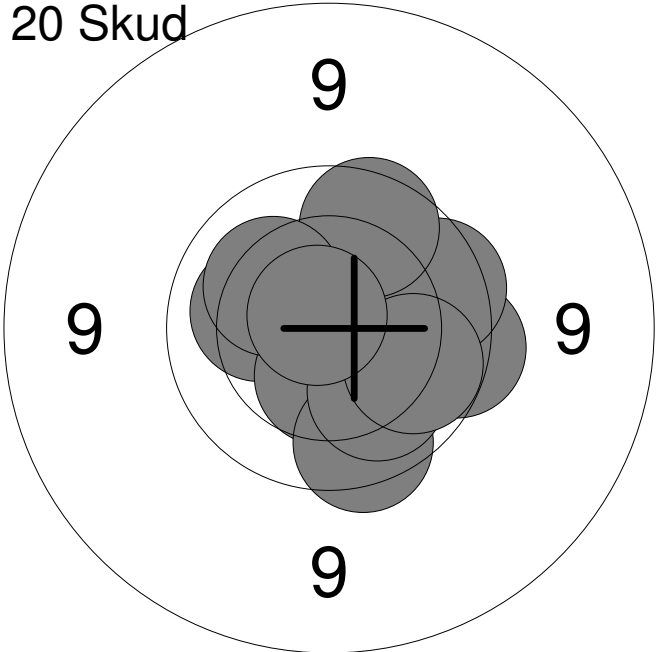
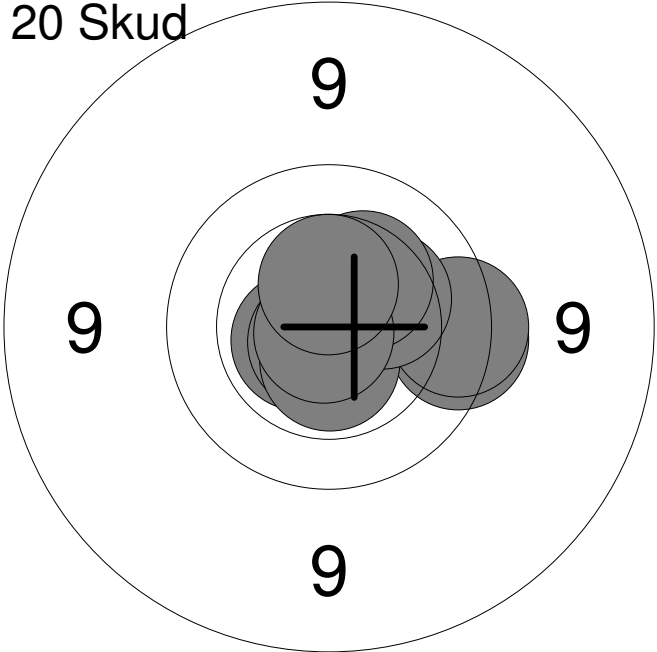
1:	9.9	↓
2:	10.5	←
3:	*10.7	←
4:	10.1	↑
5:	9.5	↓
6:	9.8	↗
7:	9.9	←
8:	*10.6	←
9:	10.2	↓
Serie		86.0
Total		0.0



1:	10.3	↗
2:	*10.7	↗
3:	10.4	←
4:	9.5	↑
5:	*10.6	↓
6:	*10.6	↗
7:	10.3	→
8:	10.4	→
9:	9.7	←
10:	10.3	↗
Serie		98.0
Total		98.0



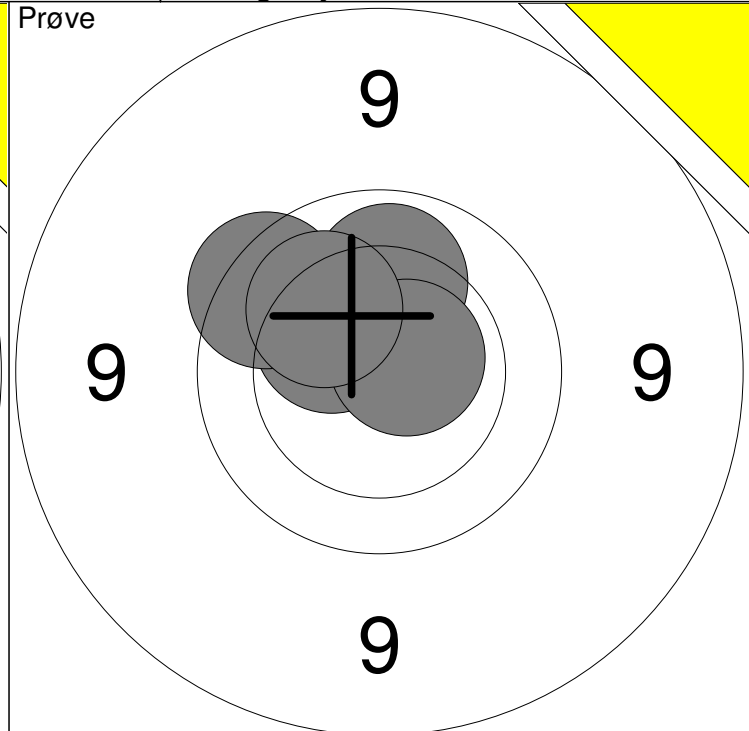
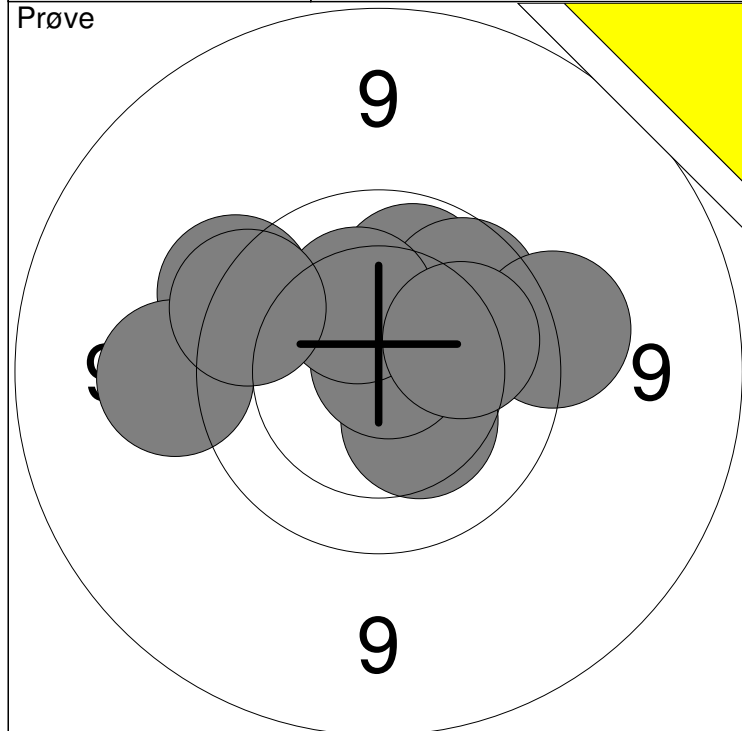
11:	9.9	↓
12:	10.3	→
13:	*10.5	↓
14:	*10.8	→
15:	9.8	↓
16:	10.1	↗
17:	10.2	↗
18:	9.9	↓
19:	10.1	↓
20:	10.3	↑
Serie		97.0
Total		195.0

Hold	Skive	Ole H. Madsen		
3	3	15m	Frederikshavn Skyttekreds	V1
26.02.2013	NM Senior 2013	Aalborg Skyttekreds		
Prøve 	1:	9.6	↑	
	2:	9.9	↖	
	3:	9.8	↑	
	4:	9.9	↑	
	5:	10.2	↓	
	6:	*10.6	↙	
	7:	10.3	↗	
	8:	*10.7	↑	
	9:	10.5	↑	
	10:	10.1	↗	
	Serie			96.0
Total			0.0	
20 Skud 	1:	10.2	←	
	2:	9.7	→	
	3:	9.8	→	
	4:	9.9	↑	
	5:	10.4	↓	
	6:	10.2	↗	
	7:	9.8	↓	
	8:	10.1	↓	
	9:	10.0	→	
	10:	*10.8	↗	
	Serie			96.0
Total			96.0	
20 Skud 	11:	*10.6	←	
	12:	*10.7	↙	
	13:	9.7	→	
	14:	*10.7	↗	
	15:	9.7	→	
	16:	*10.6	↓	
	17:	10.3	↗	
	18:	10.3	↗	
	19:	*10.9	↙	
	20:	*10.5	↑	
	Serie			98.0
Total			194.0	

Hold 3	Skive 4	Lise Kjær
------------------	-------------------	------------------

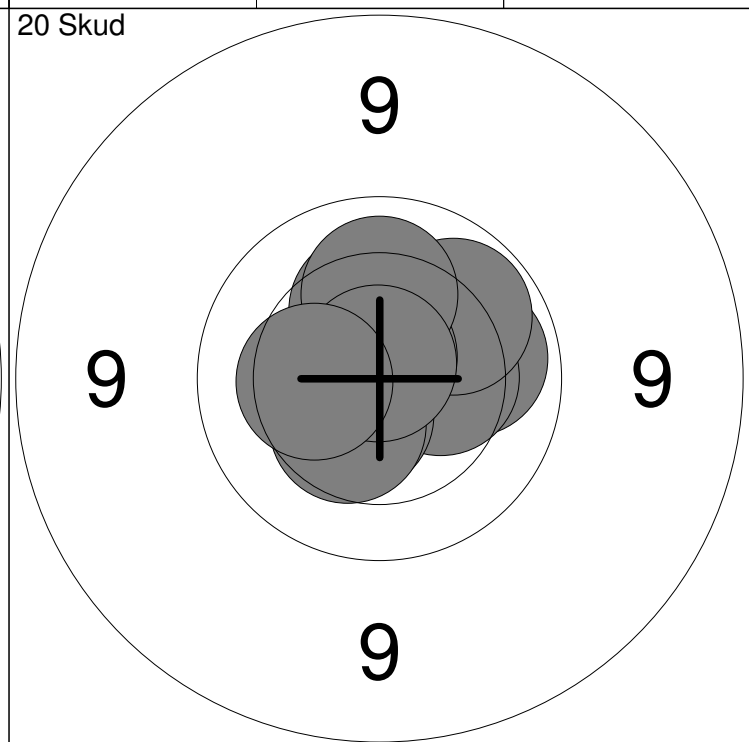
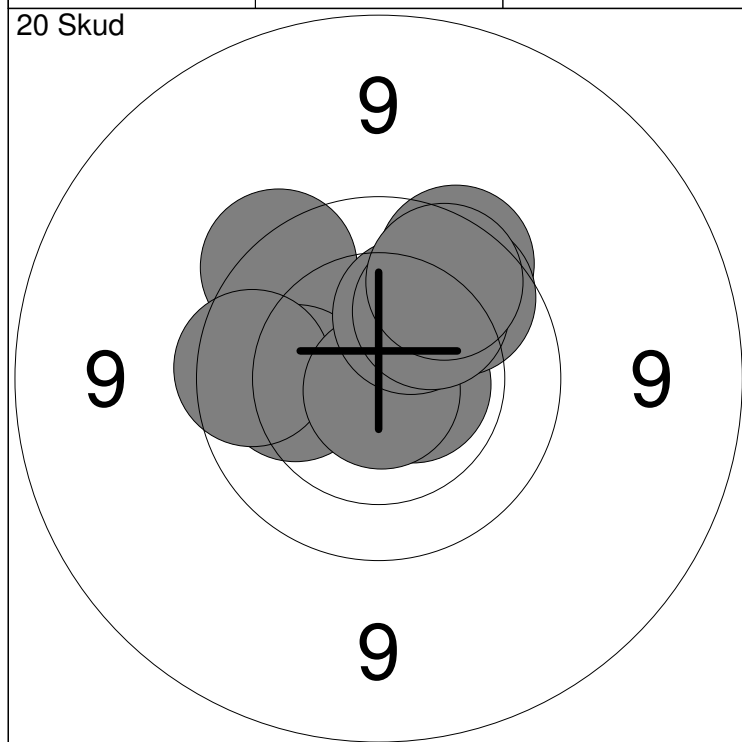
15m	Hobro Egnens Skytteforening	MÅ2
-----	-----------------------------	-----

26.02.2013	NM Senior 2013	Aalborg Skyttekreds
------------	----------------	---------------------



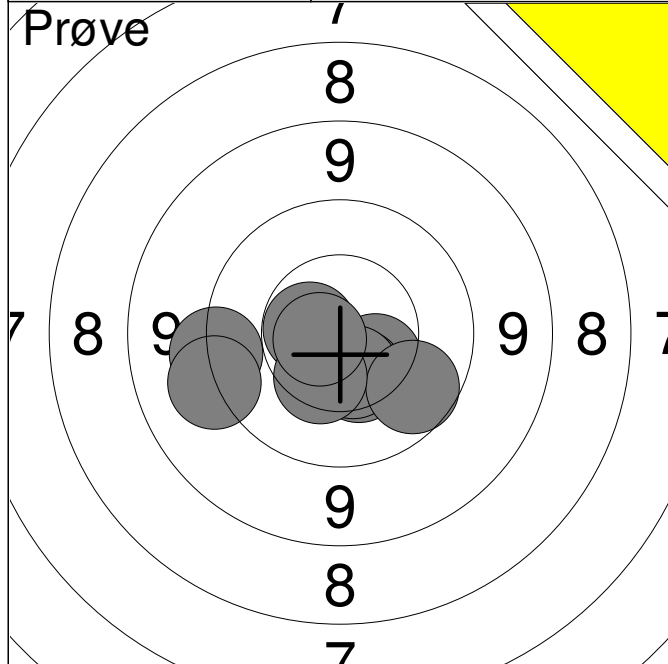
1: 9.6 ↙	6: *10.8 ↗	Serie	95.0
2: 9.4 ←	7: 10.3 ↑		
3: 10.0 ↑	8: 9.5 →	Total	0.0
4: 10.3 ↘	9: 10.1 →		
5: 9.9 ↗	10: 9.7 ←		

11: 10.4 ↖	16: 10.1 ↖	Serie	59.0
12: 10.1 ↑	13: 10.4 ↙		
14: 9.8 ↙	15: *10.7 ↗	Total	0.0

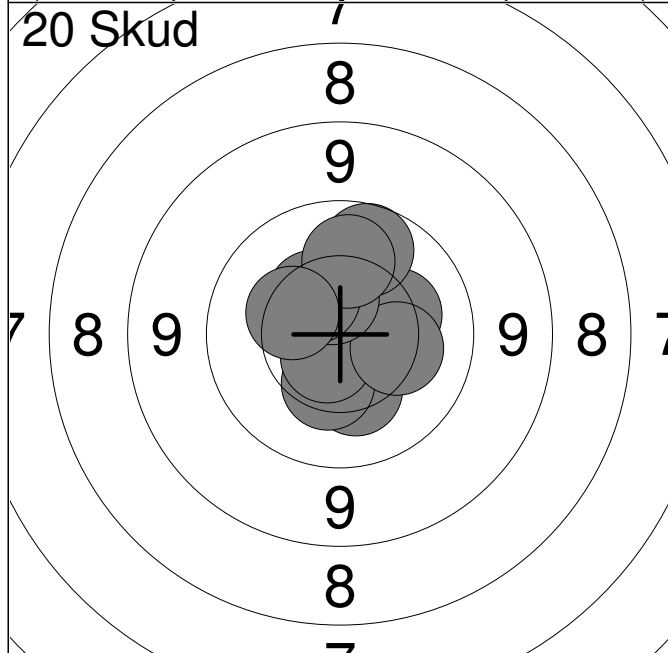


1: 9.8 ↗	6: 9.8 ←	Serie	95.0
2: *10.6 →	7: *10.8 ↘		
3: 9.9 ↗	8: 10.3 ↑	Total	95.0
4: 9.7 ↖	9: 10.1 ↗		
5: 10.1 ←	10: 9.9 ↗		

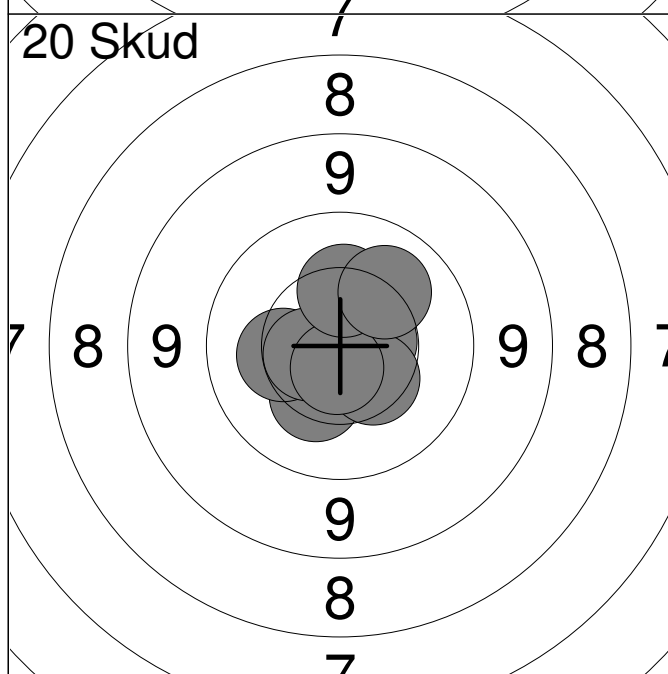
11: 10.1 →	16: 10.4 ↘	Serie	100.0
12: 10.4 →	17: *10.7 ↑		
13: 10.3 ↑	18: 10.1 ↑	Total	195.0
14: 10.0 ↗	19: *10.8 ↑		
15: *10.5 ↘	20: 10.3 ←		



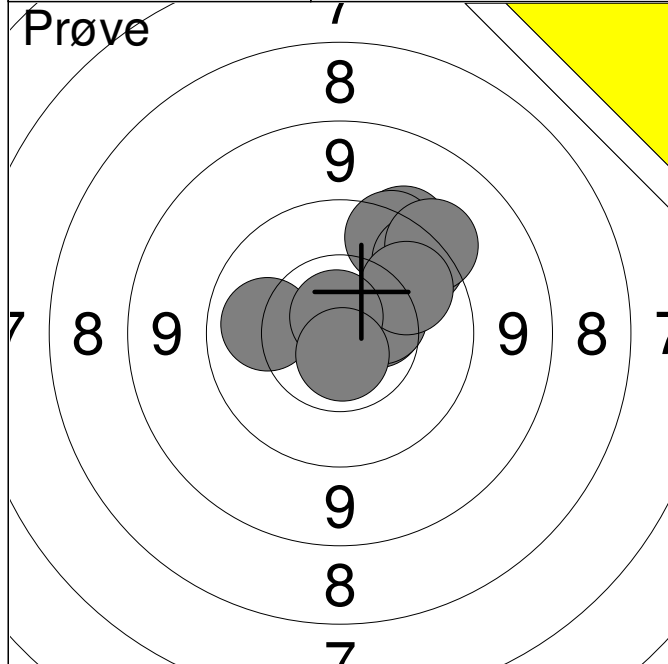
1:	9.4	←
2:	9.3	←
3:	10.4	↘
4:	10.4	↘
5:	10.5	↘
6:	9.9	↘
7:	*10.6	←
8:	10.4	↘
9:	*10.7	←
Serie		87.0
Total		0.0



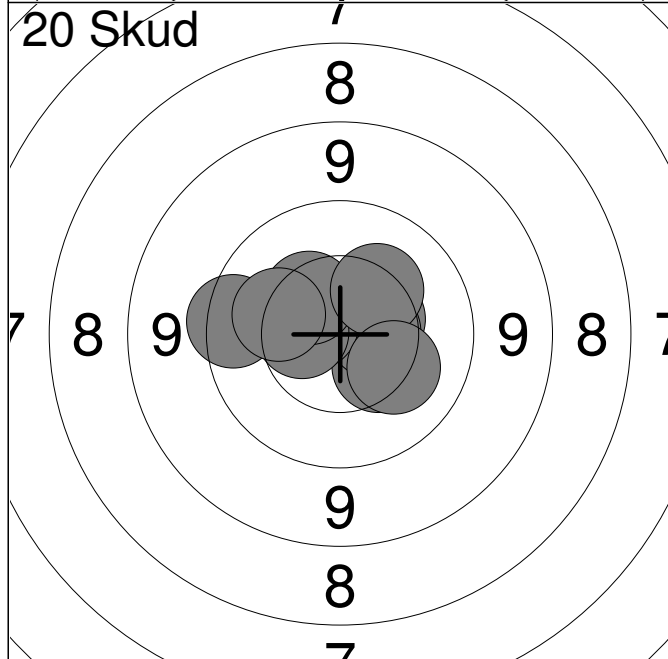
1:	10.3	↘
2:	10.3	→
3:	10.4	↘
4:	*10.7	↘
5:	10.3	→
6:	10.5	↑
7:	9.9	↑
8:	10.4	↗
9:	10.1	↑
10:	10.4	←
Serie		99.0
Total		99.0



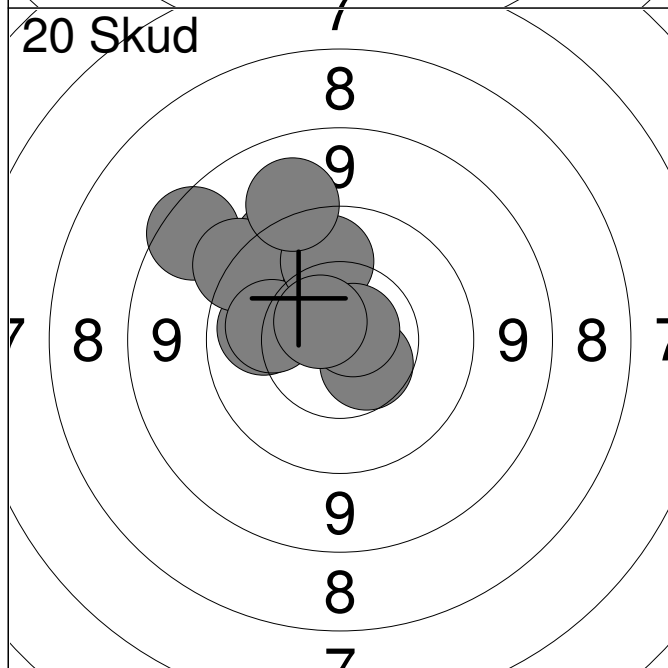
11:	10.5	↗
12:	10.3	↘
13:	*10.6	→
14:	*10.6	↑
15:	10.4	↘
16:	10.3	←
17:	10.6	←
18:	*10.7	↘
19:	10.3	↑
20:	10.1	↗
Serie		100.0
Total		199.0



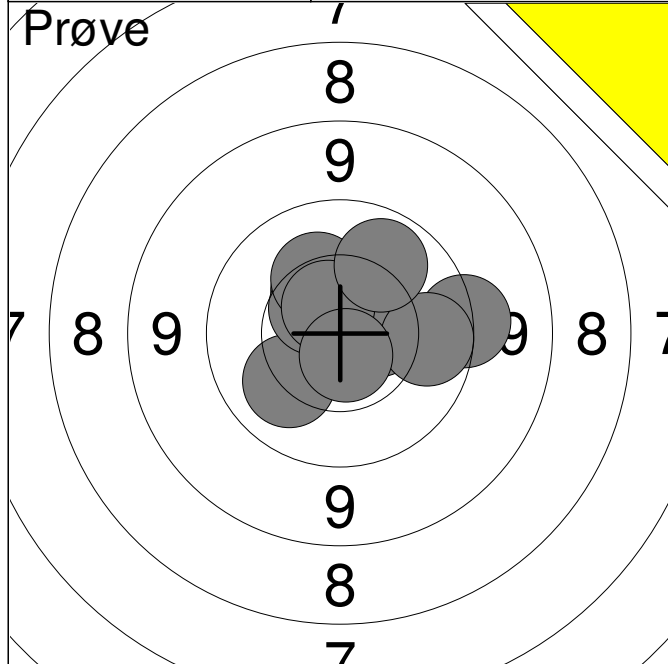
1:	10.5	→
2:	9.5	↗
3:	9.7	↗
4:	9.7	↗
5:	9.4	↗
6:	10.4	→
7:	10.0	↗
8:	10.1	←
9:	*10.7	↗
10:	*10.7	↓
Serie		96.0
Total		0.0



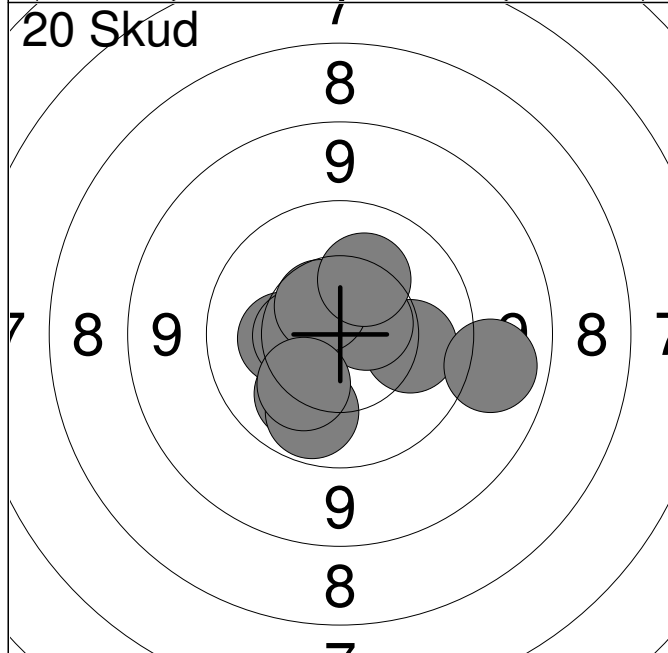
1:	10.4	↘
2:	10.5	→
3:	10.6	→
4:	*10.6	←
5:	10.5	←
6:	10.4	↗
7:	9.7	←
8:	10.3	↗
9:	10.2	↘
10:	10.2	←
Serie		99.0
Total		99.0



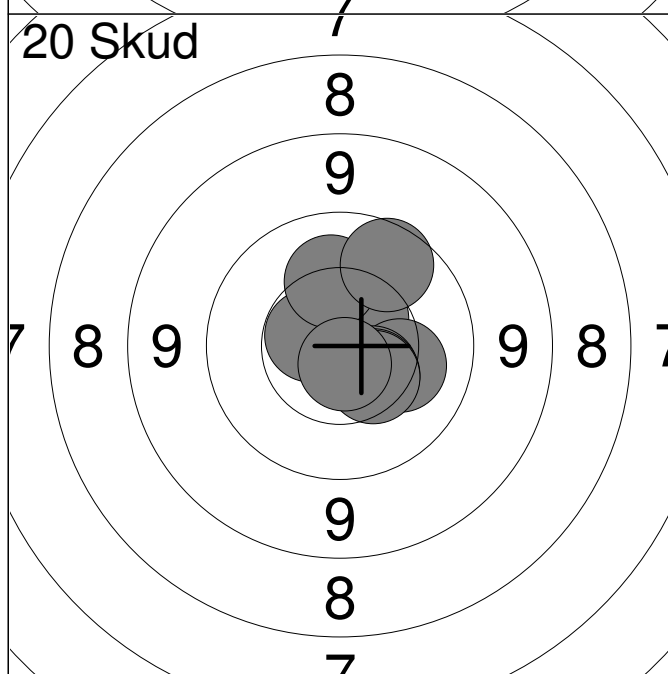
11:	10.1	←
12:	9.6	↗
13:	8.7	↗
14:	9.5	↗
15:	10.5	↘
16:	10.1	←
17:	10.0	↗
18:	*10.8	↗
19:	*10.6	↗
20:	9.2	↗
Serie		95.0
Total		194.0



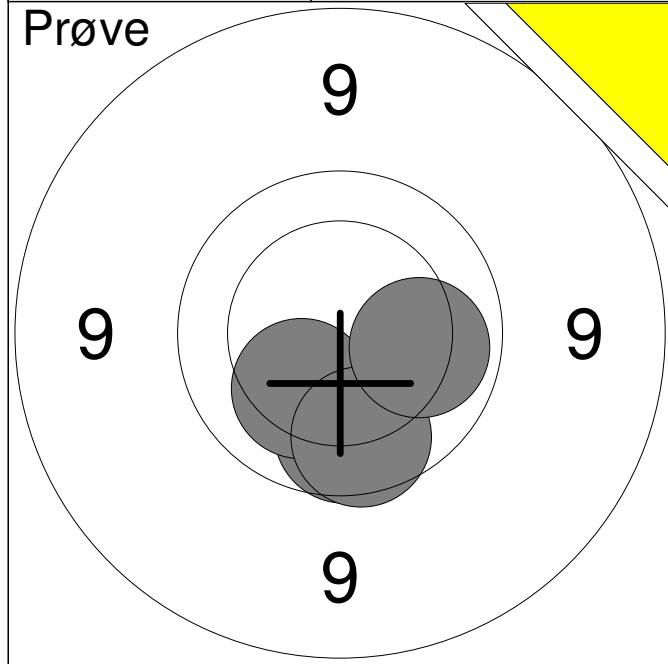
1:	10.5	→
2:	10.1	↙
3:	10.4	↗
4:	9.5	→
5:	10.5	↗
6:	10.3	↗
7:	9.9	→
8:	*10.6	↗
9:	10.0	↗
10:	*10.7	↓
Serie		98.0
Total		0.0



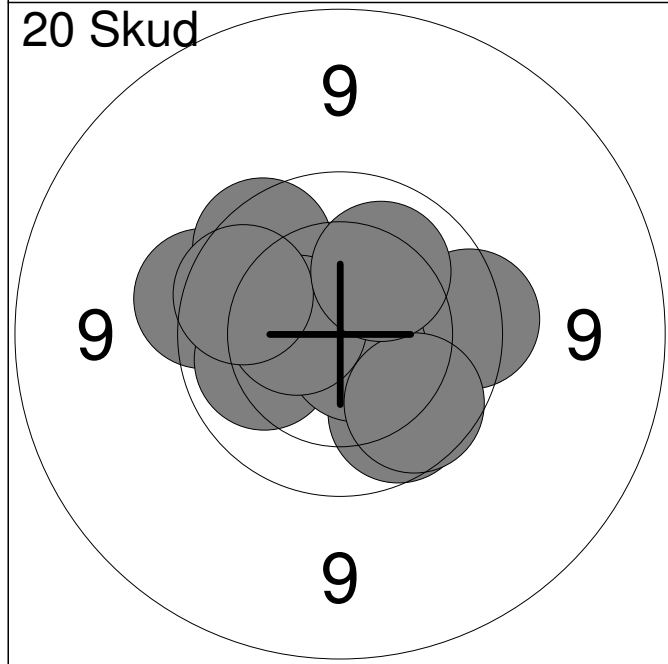
1:	10.1	↙
2:	10.1	→
3:	10.3	←
4:	10.5	←
5:	10.0	↓
6:	*10.6	→
7:	9.1	→
8:	10.6	↗
9:	10.2	↙
10:	10.3	↗
Serie		99.0
Total		99.0



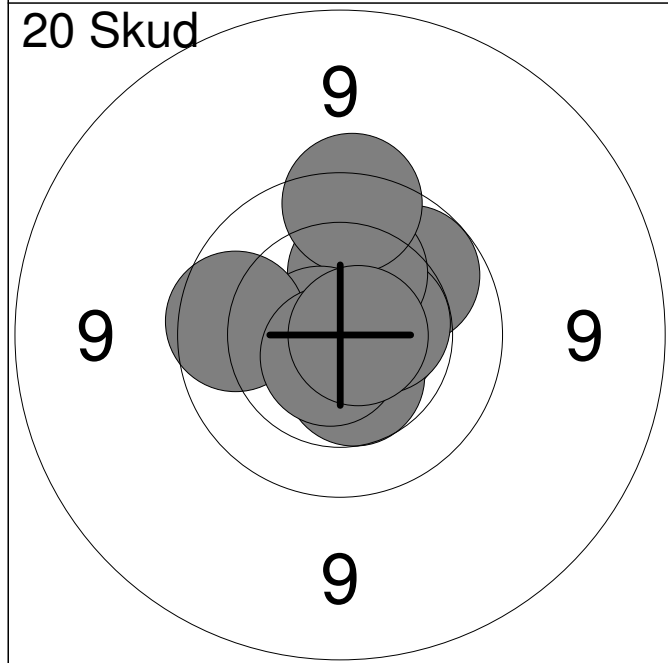
11:	*10.6	↗
12:	10.5	↗
13:	10.2	→
14:	10.5	↙
15:	*10.6	↗
16:	10.4	↙
17:	10.2	↗
18:	10.4	↙
19:	*10.7	↓
20:	9.9	↗
Serie		99.0
Total		198.0



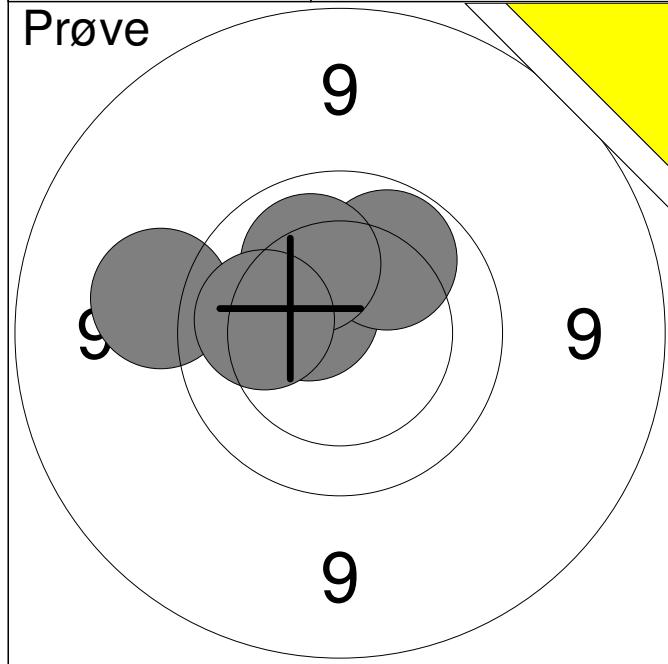
1:	10.1	↓
2:	9.9	↓
3:	10.2	↙
4:	9.9	↓
5:	10.1	→
Serie		48.0
Total		0.0



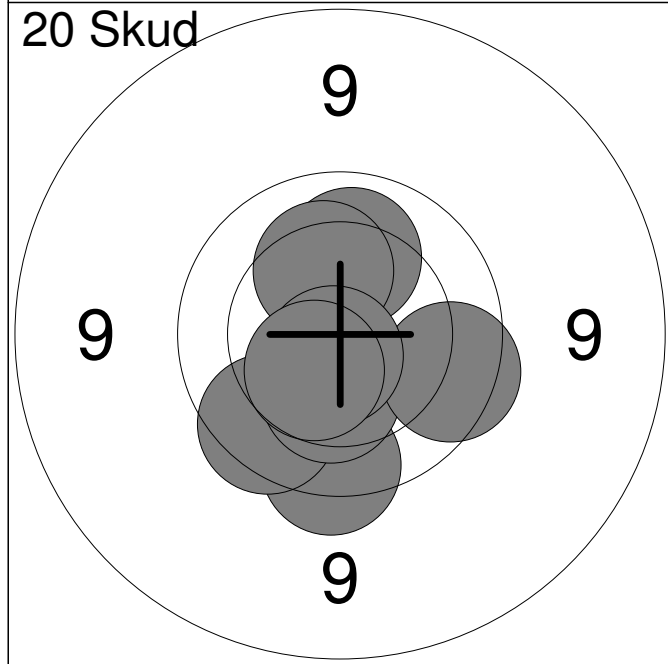
1:	9.9	↓
2:	9.7	←
3:	10.1	←
4:	9.8	↗
5:	9.7	→
6:	*10.7	↓
7:	10.5	←
8:	9.9	↗
9:	9.9	↓
10:	10.1	↗
Serie		94.0
Total		94.0



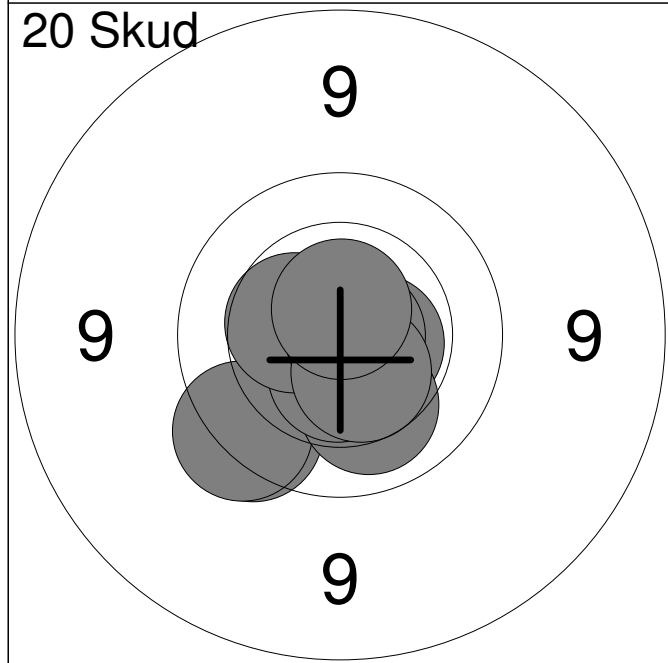
11:	10.0	↗
12:	*10.6	→
13:	10.5	↓
14:	*10.5	→
15:	10.3	↑
16:	9.7	↑
17:	*10.7	←
18:	9.9	←
19:	*10.7	↓
20:	*10.8	→
Serie		98.0
Total		192.0



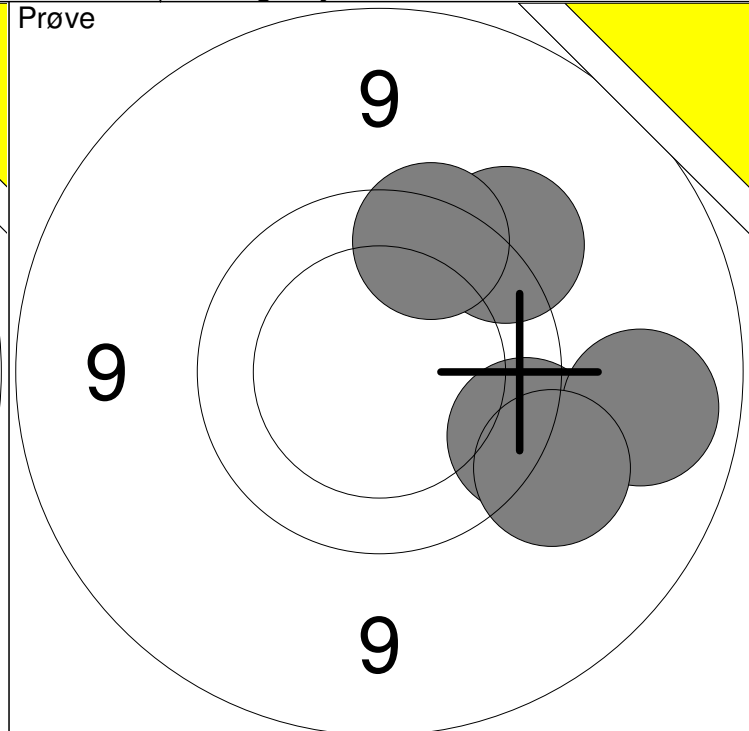
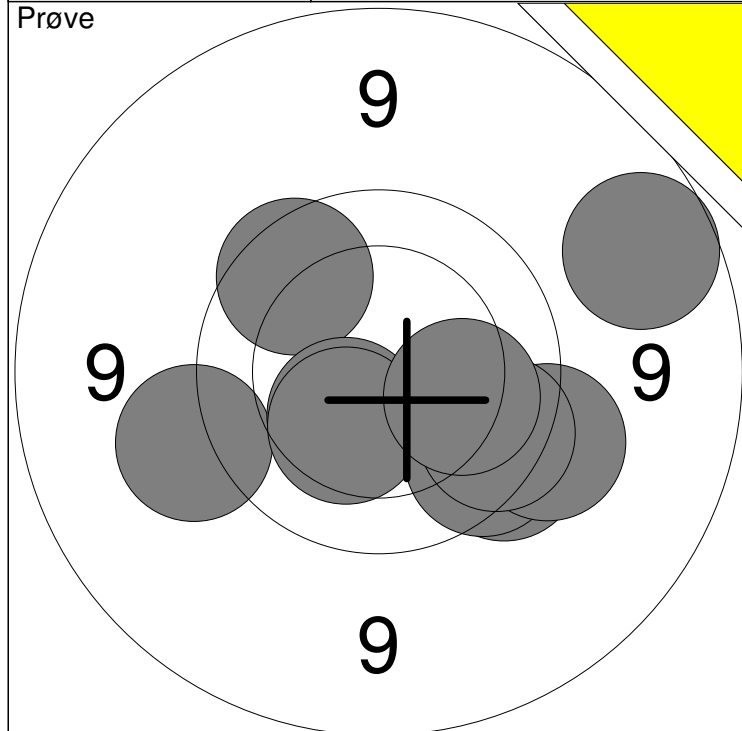
1:	*10.5	↗
2:	9.4	←
3:	10.0	↗
4:	10.1	↗
5:	10.1	←
Serie		49.0
Total		0.0



1:	9.7	↓
2:	9.8	↙
3:	*10.6	↙
4:	10.2	↑
5:	10.3	↓
6:	10.1	↑
7:	10.2	↑
8:	9.8	→
9:	*10.7	↓
10:	10.5	↙
Serie		97.0
Total		97.0

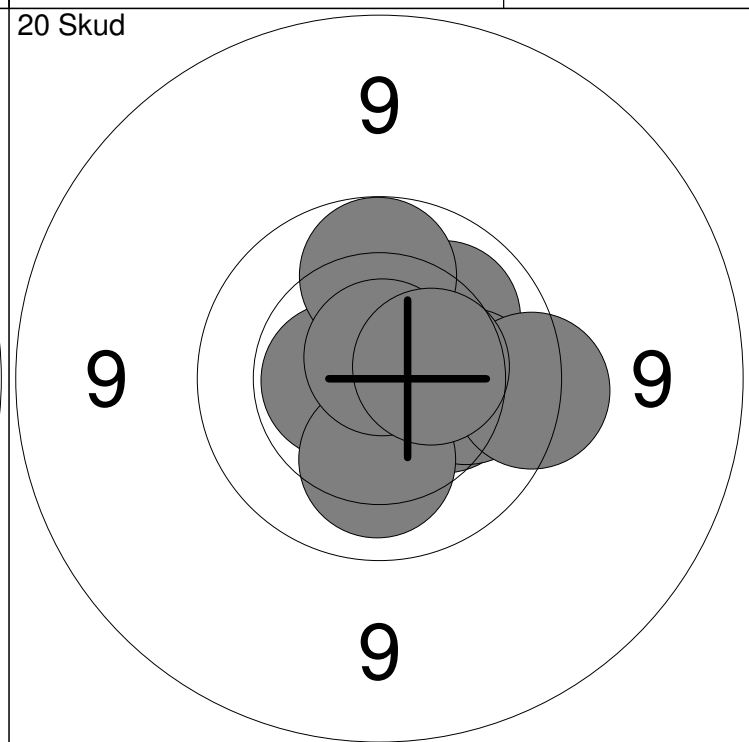
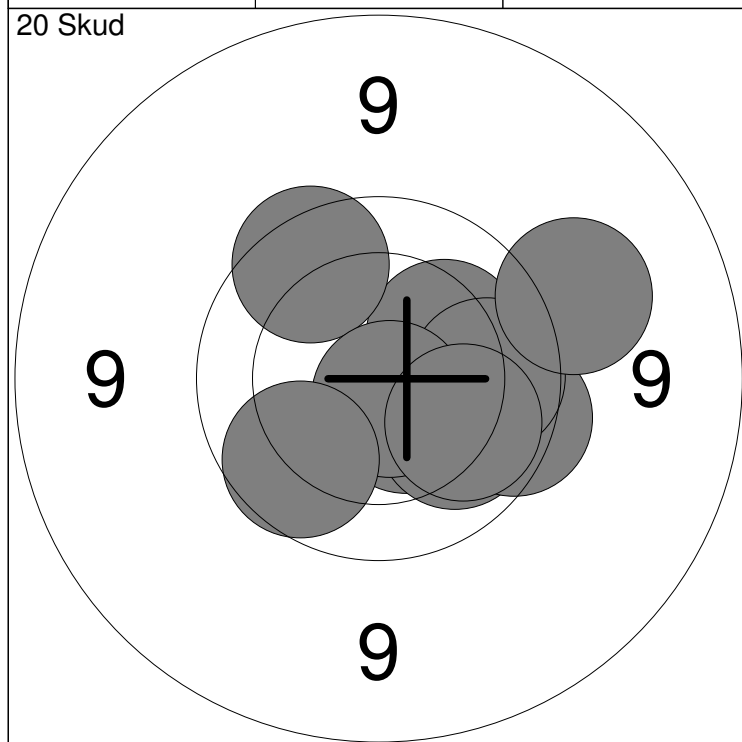


11:	9.7	↙
12:	9.7	↙
13:	*10.6	→
14:	10.1	↙
15:	*10.6	↙
16:	*10.5	↙
17:	10.4	←
18:	*10.8	→
19:	*10.5	↙
20:	*10.7	↑
Serie		98.0
Total		195.0



1: 9.4 ↙	6: 9.8 ↘	Serie	92.0
2: 9.7 ↘	7: 9.5 ↘		
3: 9.8 ↗	8: 9.8 ↘	Total	0.0
4: 10.4 ↘	9: 10.1 ➤		
5: 10.3 ↘	10: 8.9 ➤		

11: 9.5 ↗	Serie	45.0
12: 9.6 ➤		
13: 9.1 ➤	Total	0.0
14: 9.7 ↗		
15: 9.4 ➤		



1: 10.2 ↗	6: 9.9 ➤	Serie	95.0
2: 9.8 ↗	7: *10.7 ↘		
3: *10.5 ↘	8: 9.9 ↙	Total	95.0
4: 10.1 ↘	9: 10.0 ➤		
5: 9.7 ➤	10: 9.4 ➤		

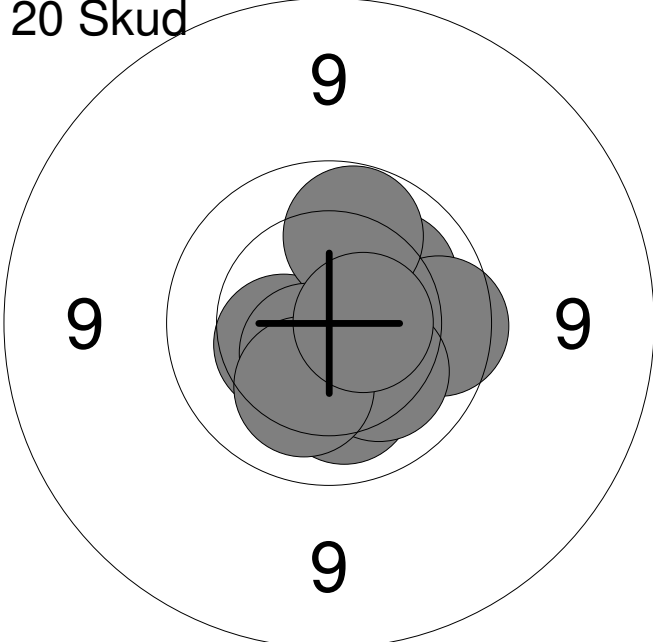
11: *10.6 ↙	16: *10.8 ➤	Serie	99.0
12: 10.1 ↗	17: 9.7 ➤		
13: 10.3 ➤	18: 10.2 ↘	Total	194.0
14: 10.1 ➤	19: *10.7 ↗		
15: 10.0 ↗	20: 10.4 ➤		

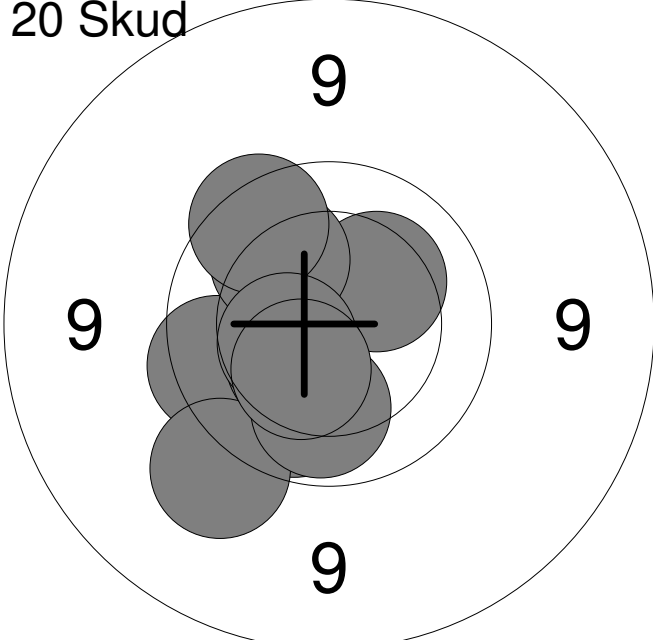
Hold 3	Skive 11	Ejmund Larsen	
------------------	--------------------	----------------------	--

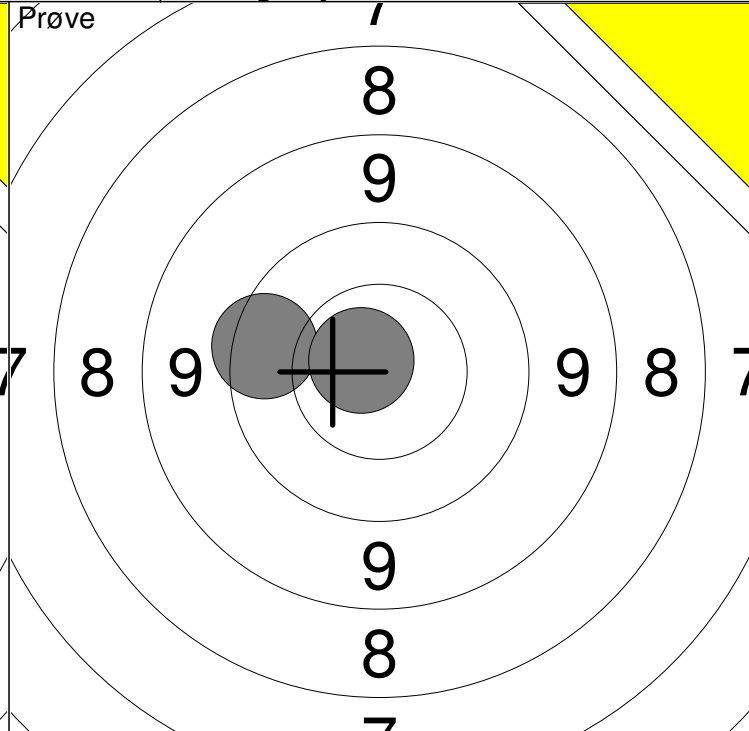
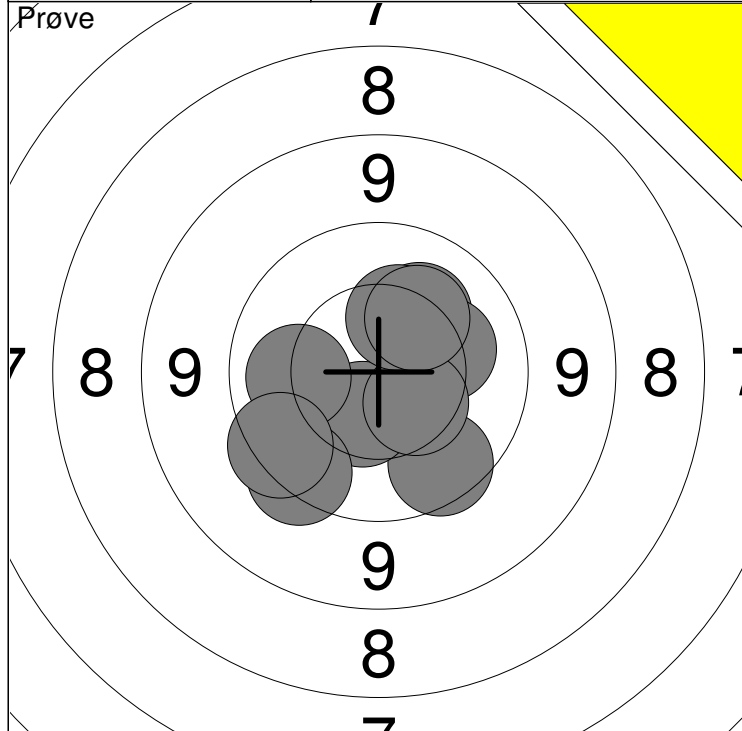
15m	Skf. Kimbrenne	MV1
-----	----------------	-----

26.02.2013	NM Senior 2013	Aalborg Skyttekreds
------------	----------------	---------------------

Prøve 	1:	*10.6	→	
	2:	10.1	↑	
	3:	10.1	↗	
	4:	10.3	↗	
	5:	9.9	←	
	6:	10.4	←	
	7:	*10.8	←	
	8:	10.2	↙	
	Serie		79.0	
	Total		0.0	

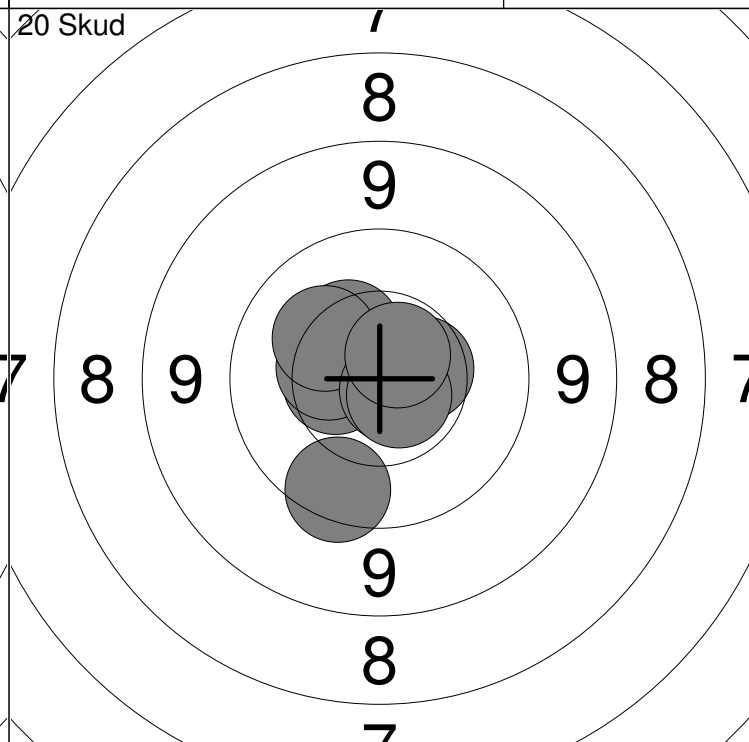
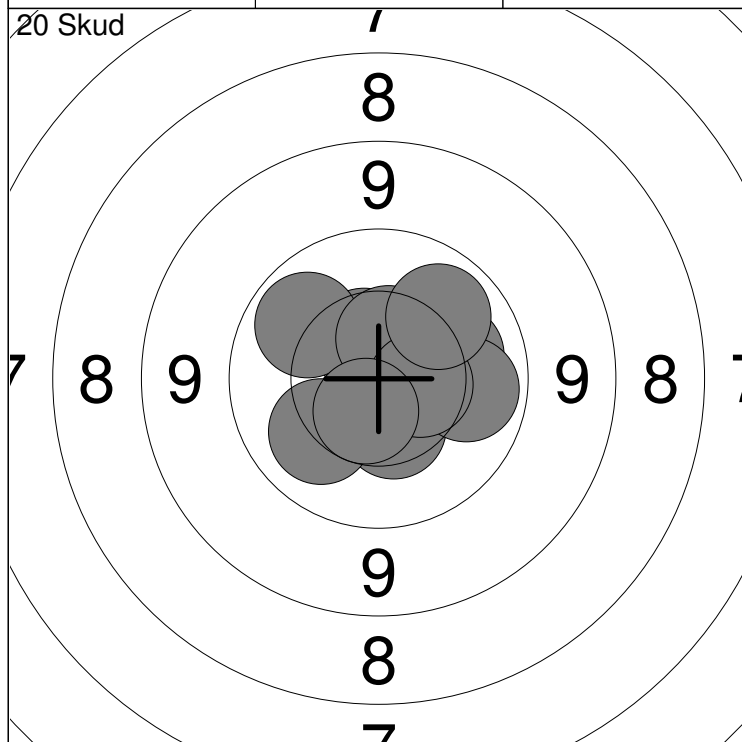
20 Skud 	1:	10.2	↗
	2:	9.8	→
	3:	10.4	↘
	4:	10.2	↘
	5:	10.4	←
	6:	10.0	↑
	7:	*10.6	↙
	8:	10.2	↘
	9:	10.2	↘
	10:	*10.6	→
Serie		99.0	
Total		99.0	

20 Skud 	11:	10.0	↘
	12:	9.8	←
	13:	10.3	↗
	14:	9.4	↙
	15:	10.4	↙
	16:	10.0	↘
	17:	10.1	↗
	18:	9.8	↗
	19:	10.5	←
	20:	10.4	↙
Serie		97.0	
Total		196.0	



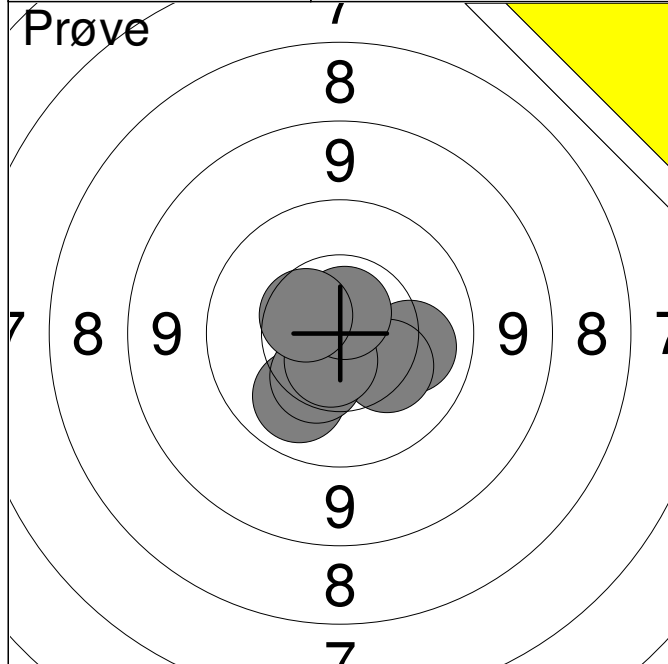
1: 10.2 ↗	6: 10.1 ←	Serie	97.0
2: 10.2 →	7: 9.6 ↘		
3: 9.8 ↘	8: 9.7 ↘	Total	0.0
4: 10.5 ↘	9: 10.4 ↗		
5: 10.5 ↘	10: 10.3 ↗		

11: 9.7 ←	Serie	19.0
12: *10.7 ↖		
	Total	0.0

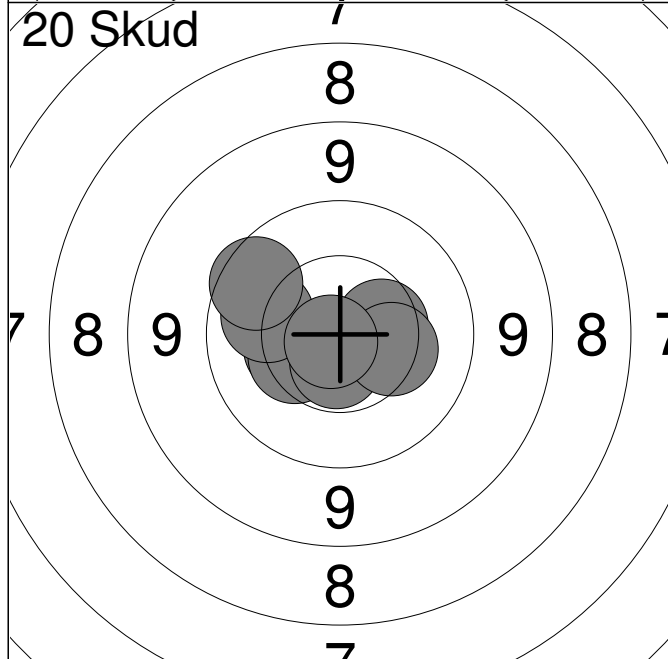


1: 10.5 ↗	6: 10.0 →	Serie	100.0
2: 10.0 ↖	7: 10.5 →		
3: 10.5 ↗	8: 10.1 ↘	Total	100.0
4: 10.4 ↘	9: 10.1 ↗		
5: 10.2 →	10: 10.6 ↘		

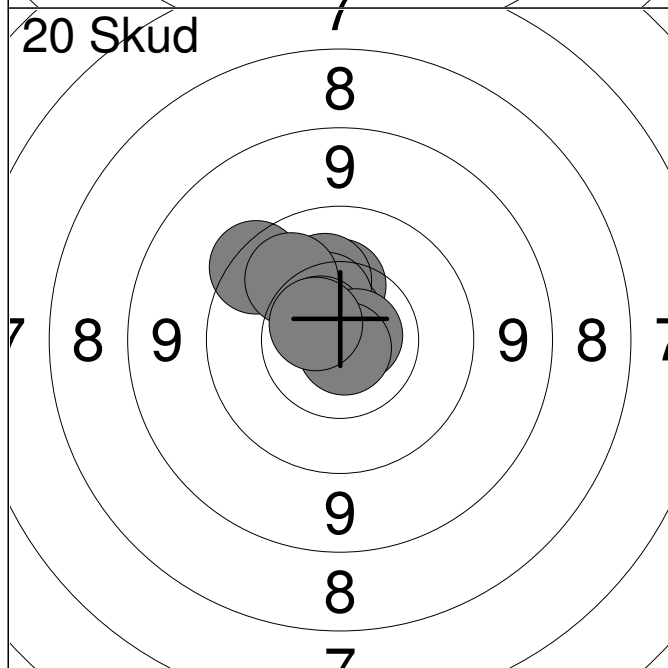
11: *10.7 ↗	16: 9.7 ↘	Serie	99.0
12: 10.5 ←	17: *10.8 ↘		
13: 10.4 ←	18: 10.5 →	Total	199.0
14: 10.4 ↖	19: *10.7 ↘		
15: 10.2 ↖	20: *10.6 ↗		



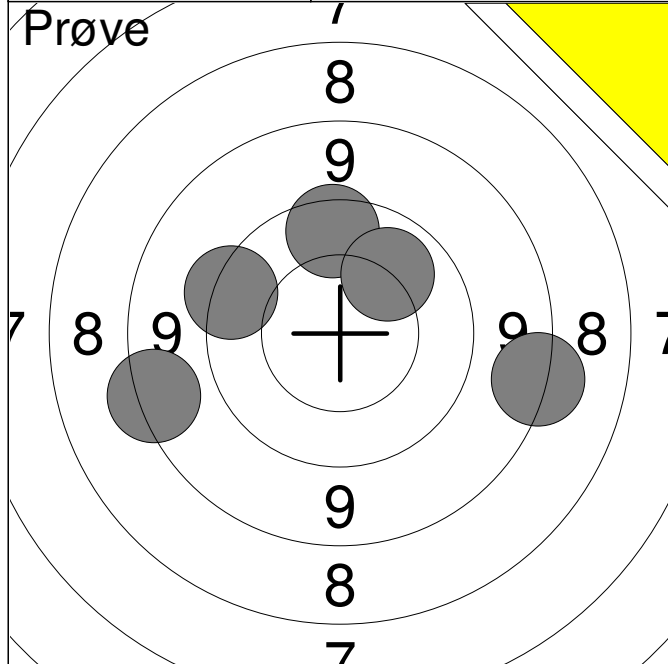
1:	10.1	→
2:	10.1	↙
3:	10.3	↘
4:	10.4	↙
5:	*10.6	↙
6:	*10.7	↑
7:	10.5	↘
Serie		70.0
Total		0.0



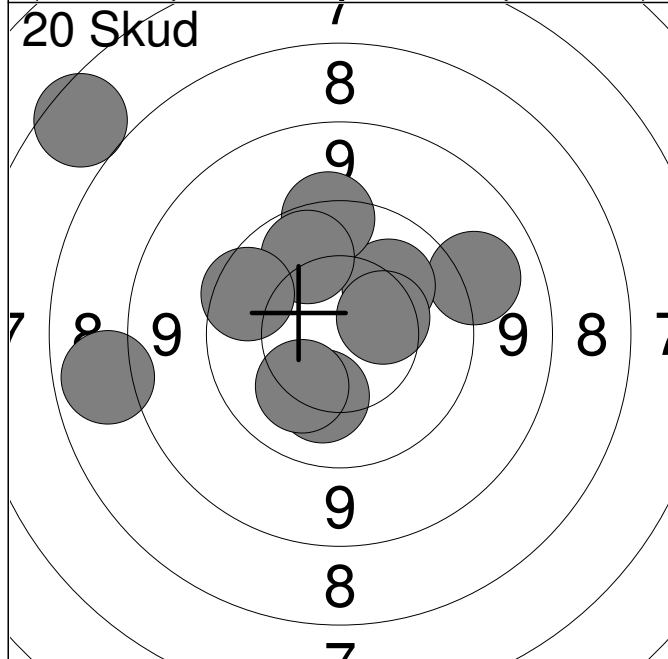
1:	10.4	←
2:	10.4	←
3:	*10.8	↙
4:	10.1	←
5:	*10.7	↘
6:	9.8	↗
7:	*10.6	↘
8:	10.5	→
9:	10.3	→
10:	*10.8	↙
Serie		99.0
Total		99.0



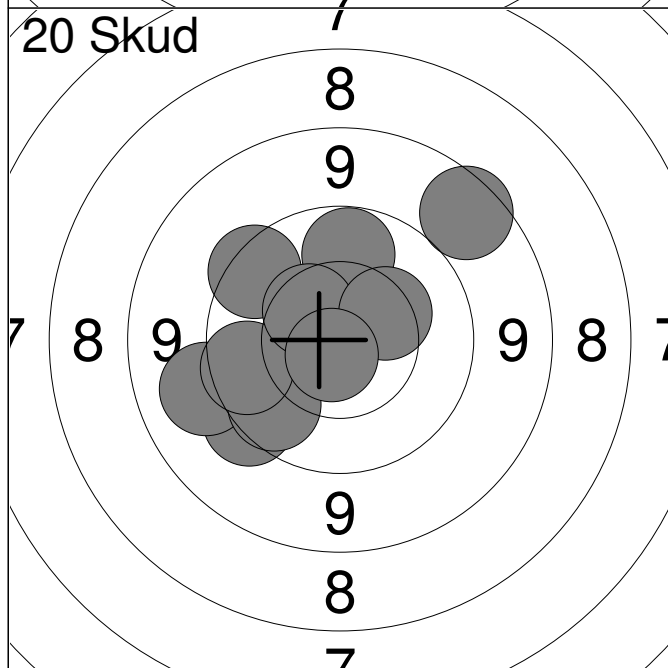
11:	10.3	↑
12:	9.6	↗
13:	10.2	↑
14:	*10.7	↑
15:	10.5	↑
16:	10.1	↗
17:	*10.6	↗
18:	*10.8	→
19:	*10.8	↘
20:	*10.6	↗
Serie		99.0
Total		198.0



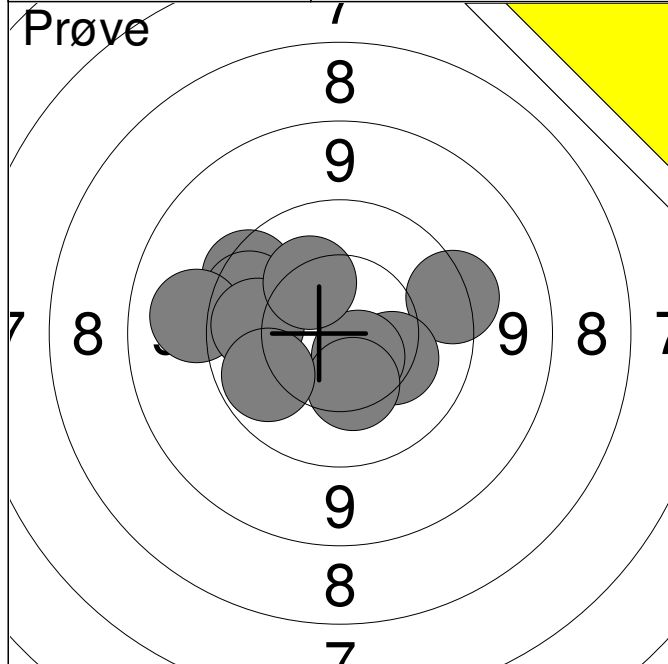
1:	8.6	←
2:	9.6	←
3:	8.5	→
4:	9.7	↑
5:	10.1	↗
Serie		44.0
Total		0.0



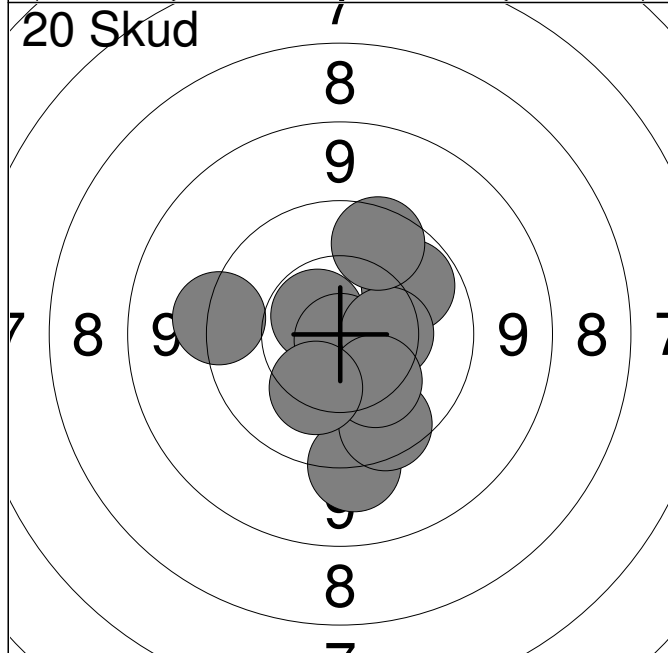
1:	9.2	↗
2:	10.2	↗
3:	6.8	↖
4:	10.4	→
5:	8.0	←
6:	10.2	↓
7:	9.6	↑
8:	10.0	↑
9:	9.8	↖
10:	10.2	↙
Serie		91.0
Total		91.0



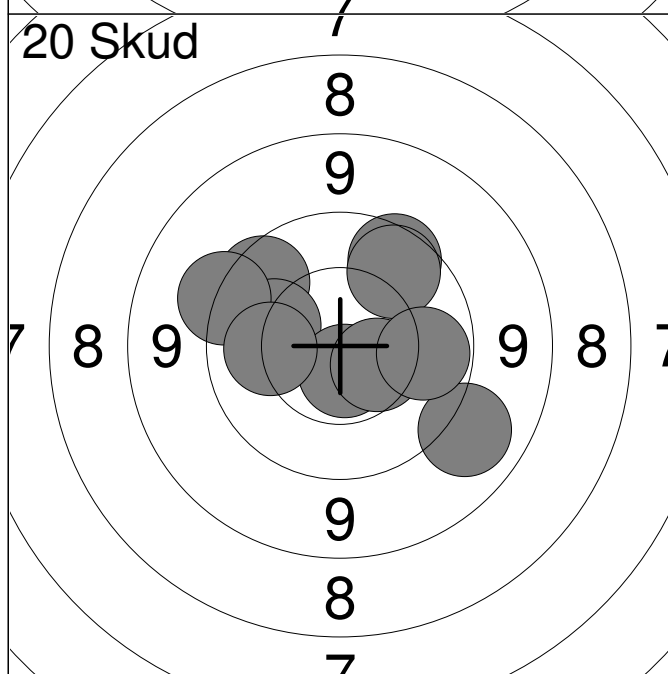
11:	9.5	↙
12:	9.2	←
13:	9.9	↙
14:	9.7	↗
15:	10.0	↑
16:	9.8	←
17:	10.5	↖
18:	10.3	↗
19:	*10.8	↙
20:	8.8	↗
Serie		93.0
Total		184.0



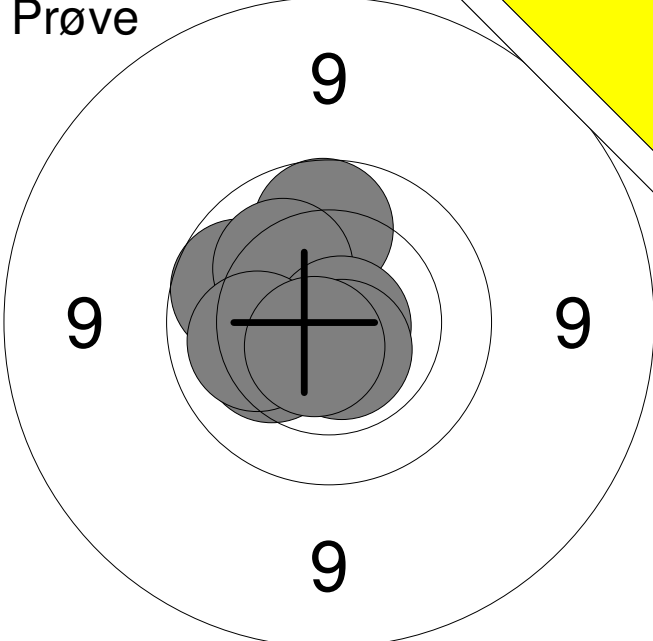
1:	9.5	→
2:	10.3	↘
3:	*10.6	↙
4:	10.3	↘
5:	9.7	↗
6:	9.8	↗
7:	9.2	←
8:	10.0	←
9:	10.0	↙
10:	10.3	↗
Serie		96.0
Total		0.0

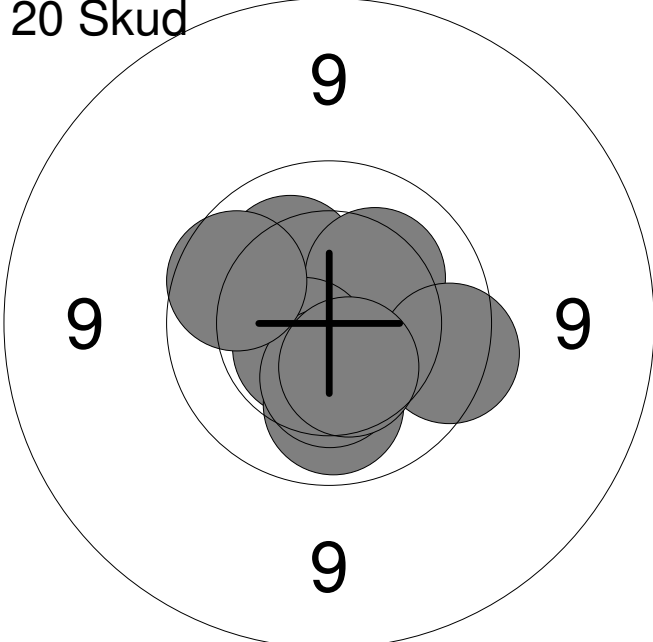


1:	*10.6	↗
2:	9.4	↘
3:	10.0	↗
4:	9.5	←
5:	9.8	↘
6:	*10.9	↘
7:	10.4	→
8:	10.3	↘
9:	9.8	↗
10:	10.3	↘
Serie		96.0
Total		96.0

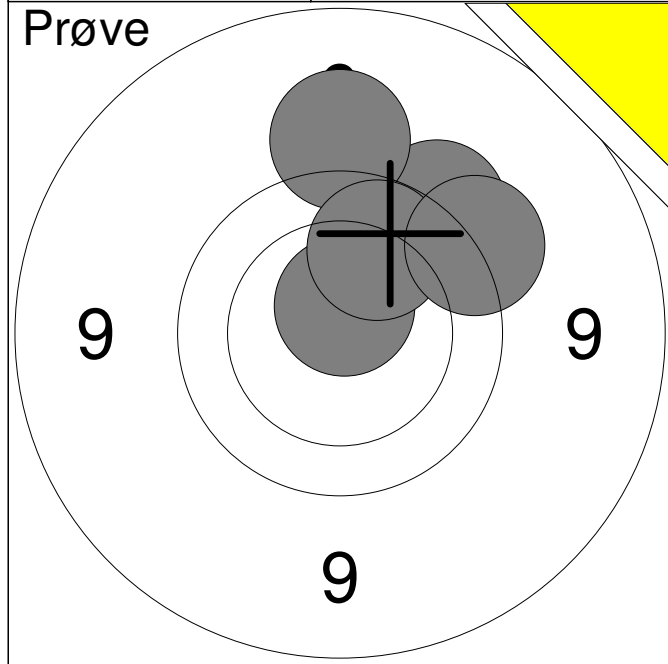


11:	9.8	↗
12:	10.2	←
13:	*10.7	↘
14:	9.8	↗
15:	10.5	↘
16:	9.5	↗
17:	10.1	←
18:	9.9	↗
19:	9.1	↘
20:	10.0	→
Serie		95.0
Total		191.0

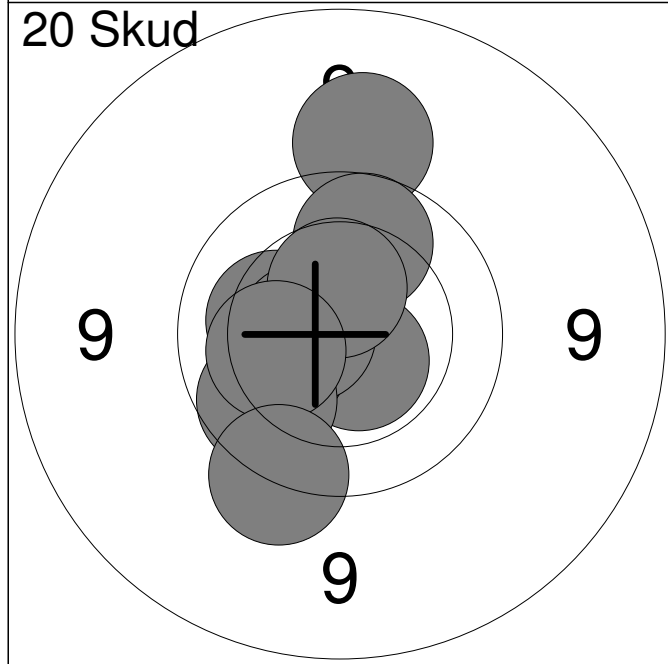
Prøve 	1:	9.9	↖
	2:	9.9	↑
	3:	10.2	↗
	4:	10.2	↙
	5:	*10.8	→
	6:	10.2	↖
	7:	*10.6	↘
	8:	*10.6	↙
	Serie		78.0
	Total		0.0

20 Skud 	1:	10.2	↗
	2:	*10.8	→
	3:	10.4	↓
	4:	10.3	↗
	5:	9.8	→
	6:	*10.6	↖
	7:	10.1	↓
	8:	10.4	↓
	9:	10.4	↘
	10:	9.9	↖
	Serie		98.0
Total		98.0	

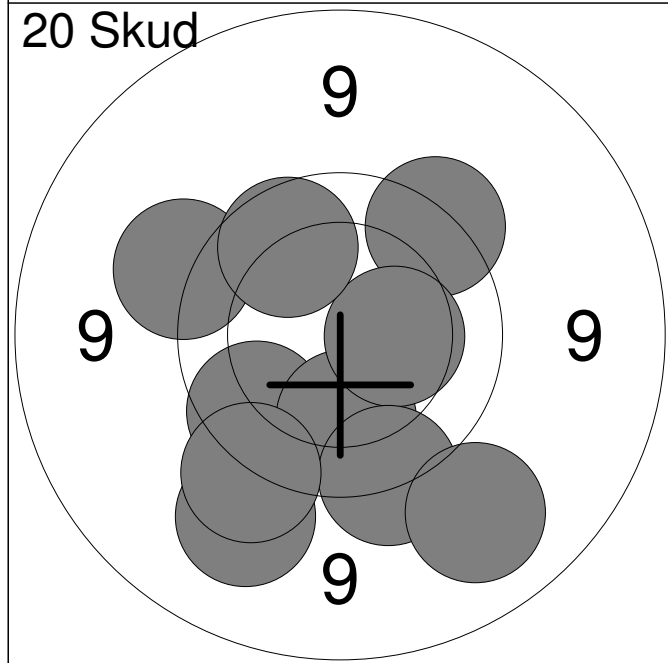
20 Skud 	11:	10.2	↑
	12:	*10.6	↗
	13:	9.7	↖
	14:	10.5	↖
	15:	10.1	→
	16:	10.2	↖
	17:	*10.7	↖
	18:	9.6	→
	19:	*10.6	↖
	20:	*10.6	↗
	Serie		98.0
Total		196.0	



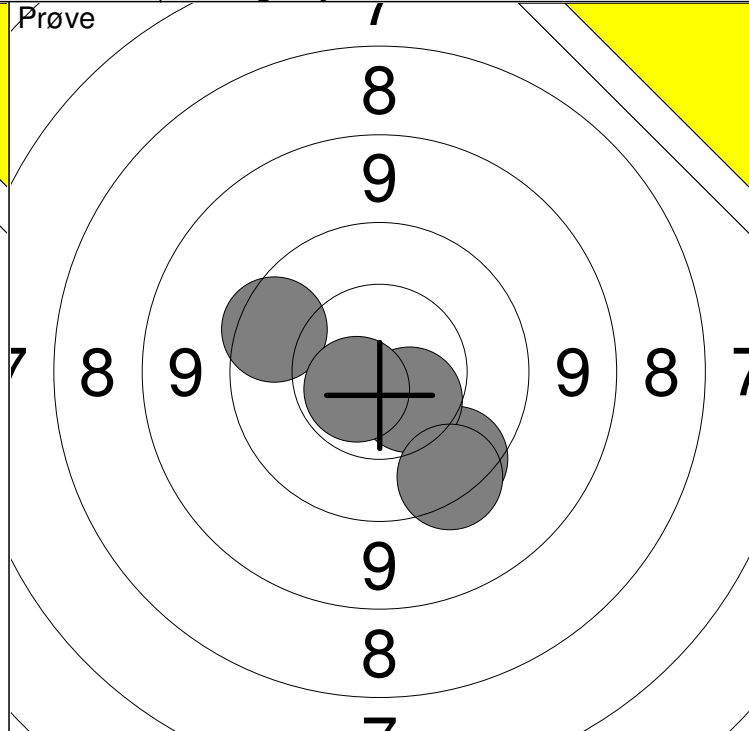
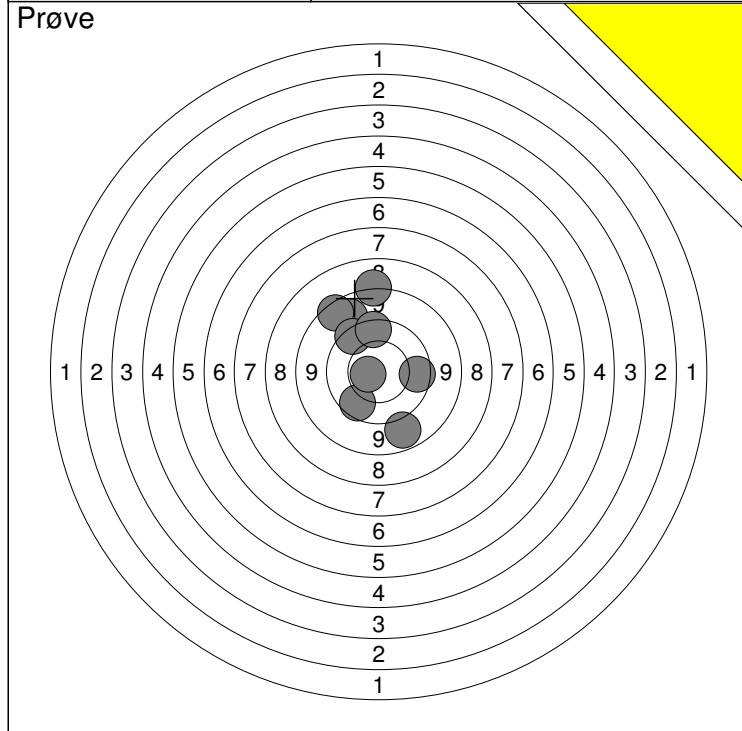
1:	*10.7	↑
2:	9.6	↗
3:	9.3	↑
4:	10.0	↗
5:	9.5	↗
Serie		47.0
Total		0.0



1:	9.3	↑
2:	*10.6	↘
3:	10.2	←
4:	10.2	←
5:	9.9	↑
6:	*10.6	←
7:	10.5	↑
8:	9.9	↘
9:	10.2	←
10:	9.6	↘
Serie		96.0
Total		96.0

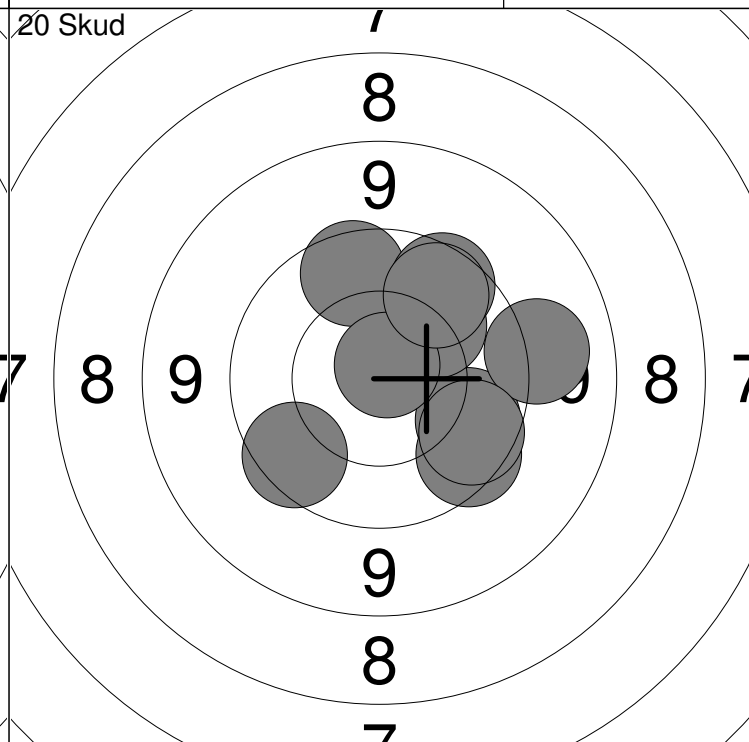
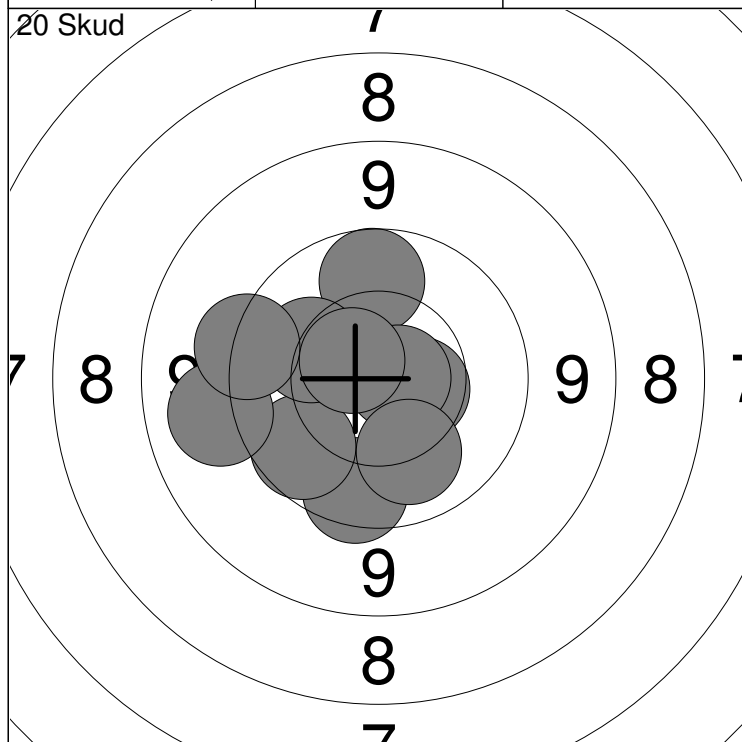


11:	9.8	↘
12:	10.0	↓
13:	9.3	↘
14:	9.5	↖
15:	9.6	↗
16:	10.4	→
17:	9.9	↗
18:	9.6	↘
19:	9.1	↘
20:	9.5	↘
Serie		92.0
Total		188.0



1: 0.0 ↑	6: 9.0 ↓	Serie	80.0
2: 9.0 ↑	7: 9.8 ↓		
3: 8.7 ↑	8: 9.7 ↑	Total	0.0
4: 9.6 ↑	9: *10.6 ←		
5: 8.3 ↑	10: 9.8 →		

11: 9.7 ↓	Serie	47.0
12: 10.5 ↓		
13: 9.8 ↑	Total	0.0
14: 9.6 ↓		
15: *10.7 ↙		



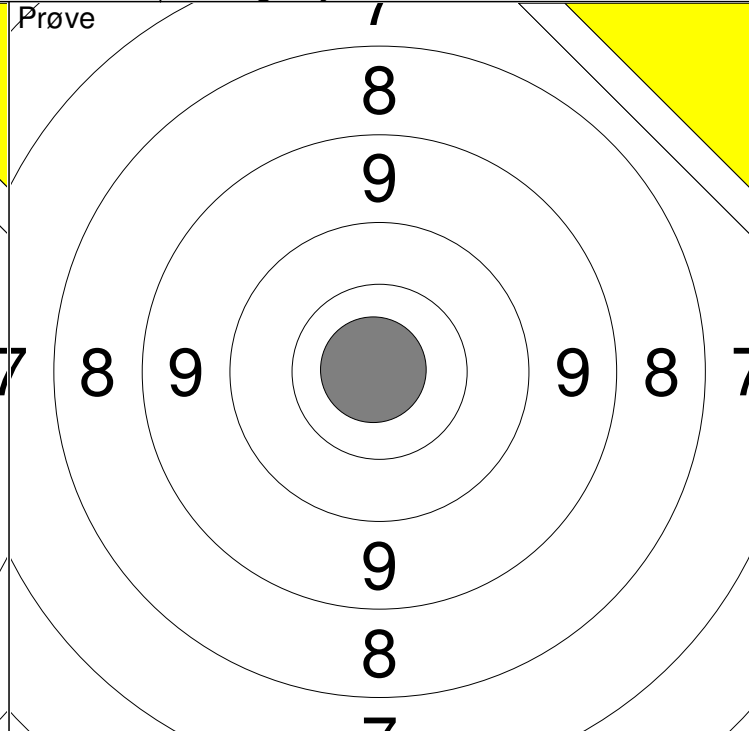
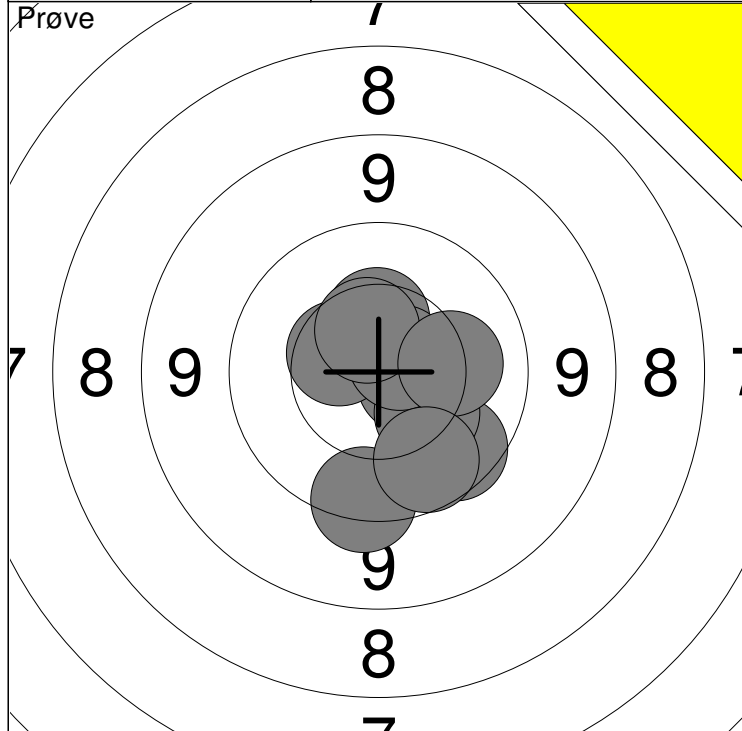
1: 9.9 ↑	6: *10.7 →	Serie	95.0
2: 10.5 →	7: 9.2 ←		
3: 9.8 ↓	8: 10.1 ↓	Total	95.0
4: 9.9 ↙	9: 9.5 ←		
5: 10.2 ↖	10: *10.6 ↖		

11: 9.9 →	Serie	92.0	
12: 9.7 ↓			
13: 10.2 ↗	Total	187.0	
14: 9.8 ↑			
15: 9.2 →	16: *10.8 ↑		
	17: 9.8 →		
	18: 9.8 ↙		
	19: 9.8 ↗		
	20: 9.9 ↗		

Hold 4	Skive 7	<h1>Ann Olsen</h1>
------------------	-------------------	--------------------

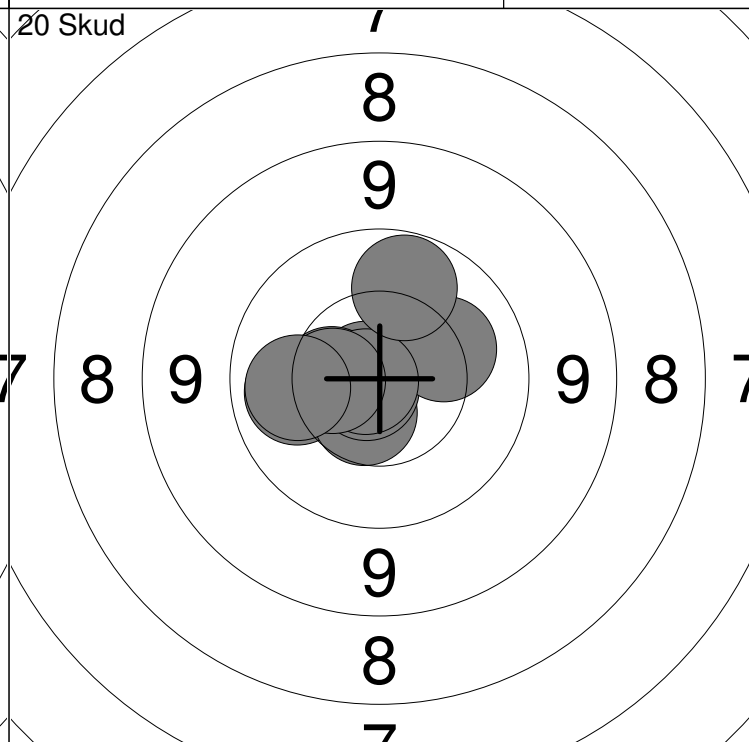
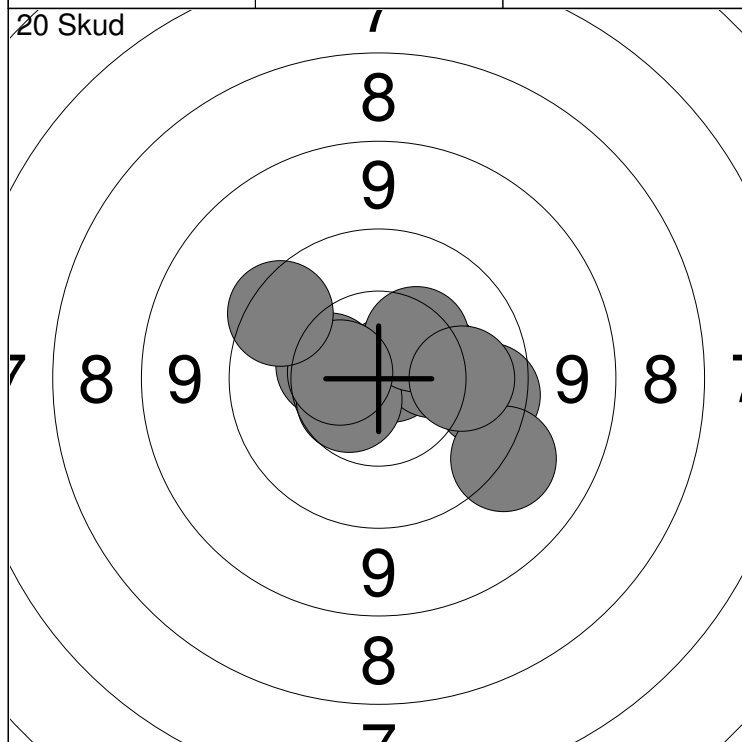
15m	Aalborg Skyttekreds	ÅK1
-----	---------------------	-----

26.02.2013	NM Senior 2013	Aalborg Skyttekreds
------------	----------------	---------------------



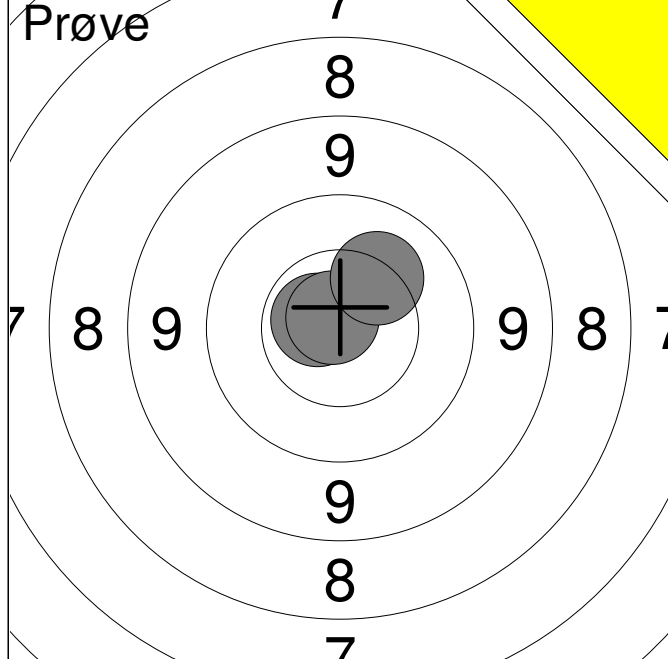
1: 10.4 ↑	6: 9.6 ↓	Serie 97.0
2: *10.6 →	7: *10.7 ↗	
3: 10.5 ↖	8: 10.5 ↑	Total 0.0
4: 9.8 ↓	9: 10.2 →	
5: 10.3 ↘	10: 9.9 ↓	

11: *10.9 ↖	Serie 10.0
	Total 0.0

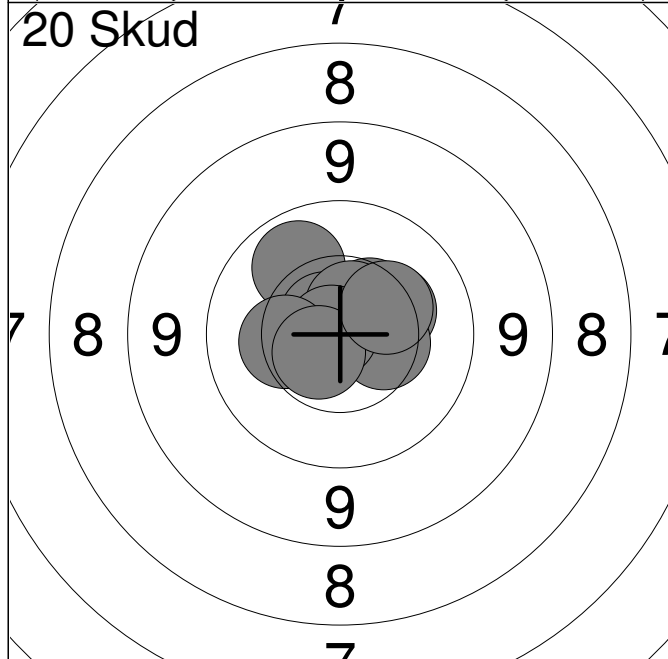


1: 10.4 ↖	6: 10.6 ↙	Serie 97.0
2: *10.8 ↗	7: 10.4 ↗	
3: 9.8 →	8: 10.1 →	Total 97.0
4: 9.4 ↘	9: 10.5 ↖	
5: 10.4 →	10: 9.7 ↖	

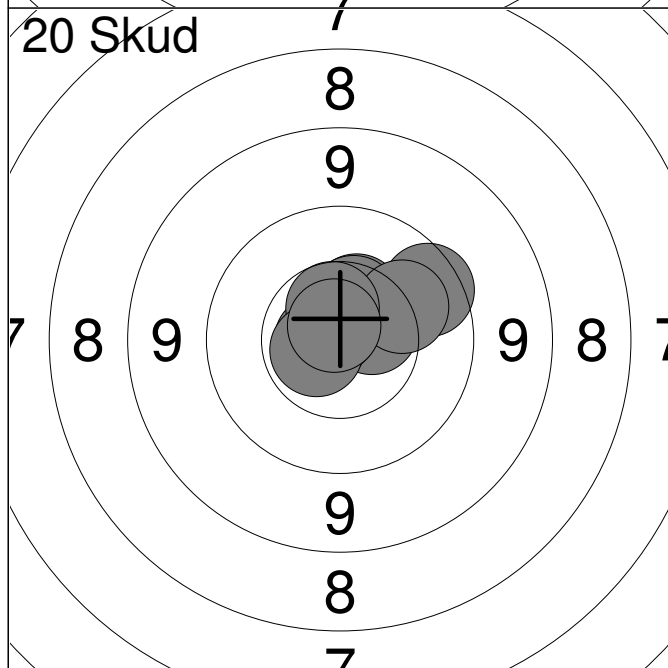
11: *10.8 ↖	16: 10.2 →	Serie 100.0
12: 10.1 ↖	17: *10.8 ↖	
13: 10.6 ↓	18: 10.5 ↖	Total 197.0
14: 10.5 ↖	19: 10.0 ↑	
15: *10.8 ↙	20: 10.1 ↖	



	1:	*10.7	↖
	2:	*10.8	↗
	3:	10.2	↗
Serie			30.0
Total			0.0



	1:	10.5	↗
	2:	10.3	→
	3:	10.4	→
	4:	10.0	↗
	5:	*10.7	↗
	6:	*10.6	↗
	7:	*10.8	↖
	8:	10.3	↖
	9:	*10.6	↙
	10:	10.3	↗
Serie			100.0
Total			100.0

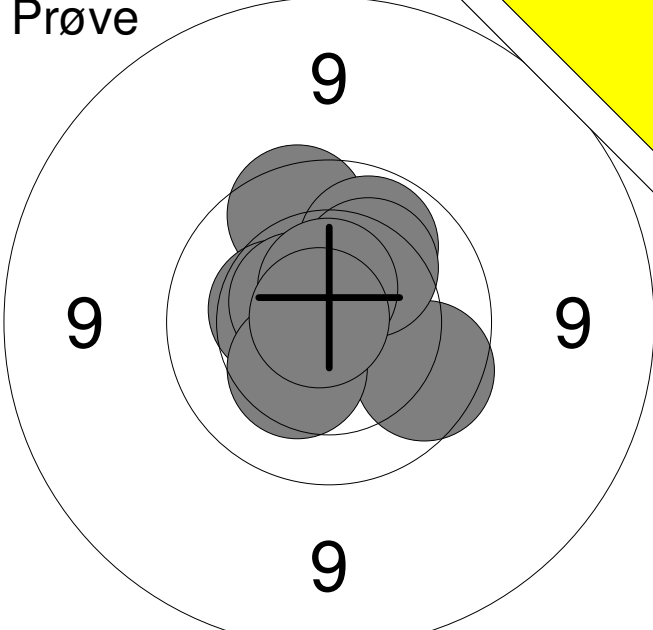


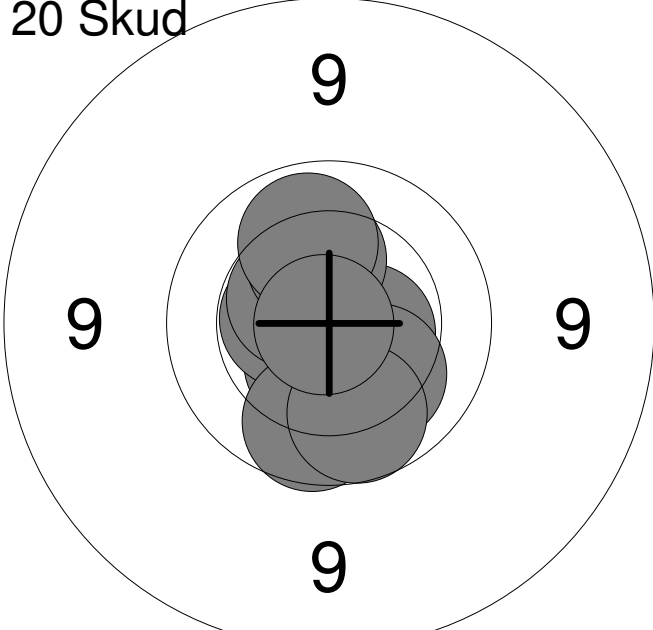
	11:	10.5	↗
	12:	9.8	↗
	13:	10.6	→
	14:	10.5	↗
	15:	10.1	↗
	16:	*10.7	↖
	17:	*10.8	↗
	18:	10.6	↗
	19:	*10.7	↙
	20:	*10.8	↗
Serie			99.0
Total			199.0

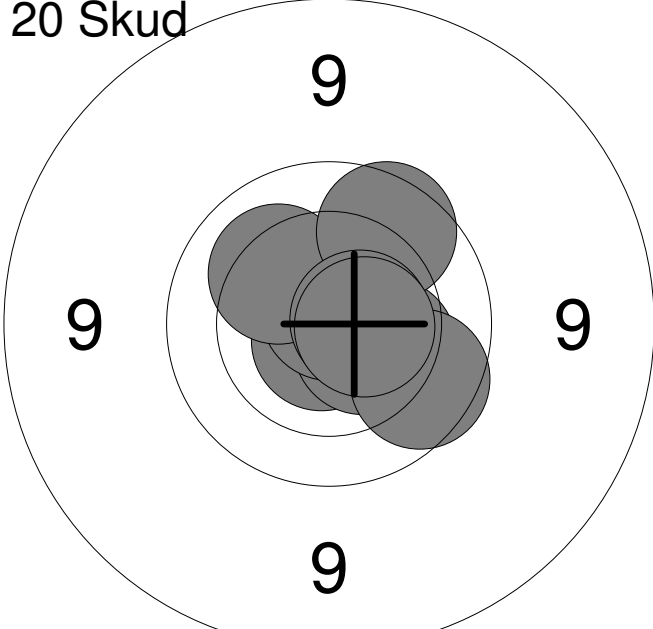
Hold 4	Skive 9	Egon Larsen	
------------------	-------------------	--------------------	--

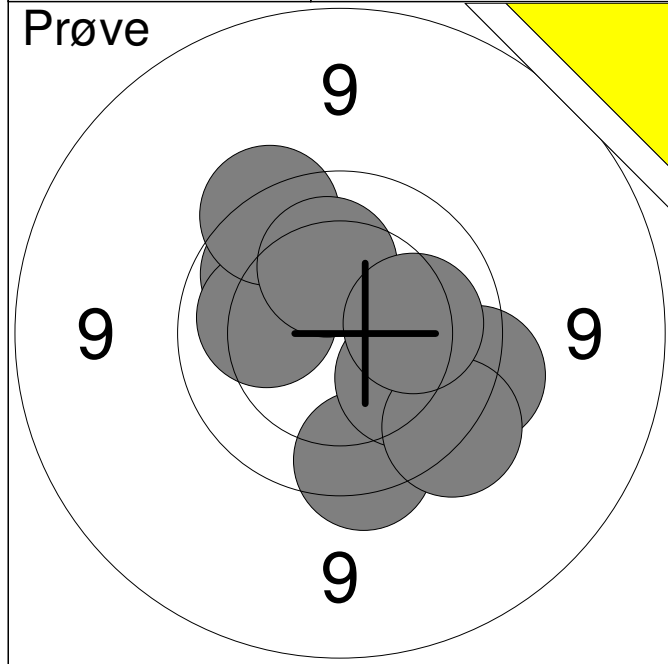
15m	Skf. Kimbrene	MV2
-----	---------------	-----

26.02.2013	NM Senior 2013	Aalborg Skyttekreds
------------	----------------	---------------------

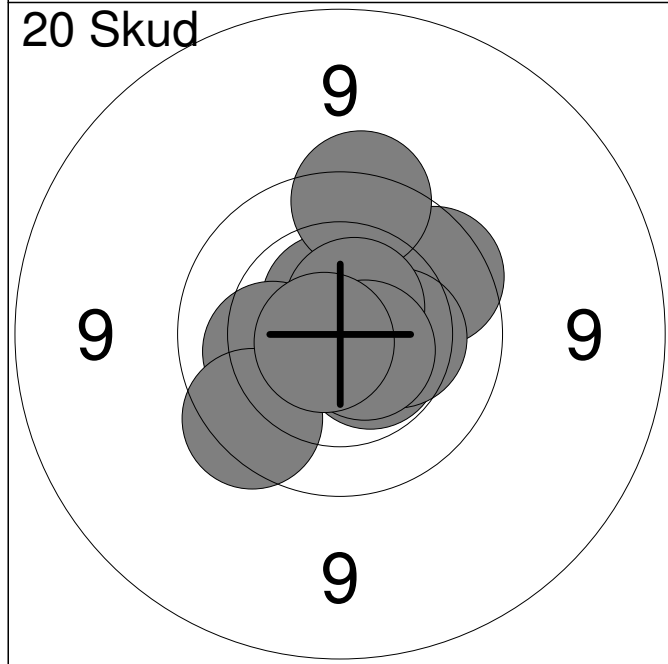
Prøve 	1:	10.2	↑
	2:	9.8	↑
	3:	10.4	←
	4:	9.9	↘
	5:	10.0	↑
	6:	*10.6	↗
	7:	10.2	↗
	8:	*10.6	↑
	9:	10.3	↘
	10:	*10.8	↖
	Serie		98.0
Total		0.0	

20 Skud 	1:	*10.5	→
	2:	*10.5	↘
	3:	*10.5	←
	4:	*10.5	↗
	5:	10.2	↘
	6:	10.2	↑
	7:	9.9	↘
	8:	9.9	↘
	9:	10.1	↑
	10:	*10.9	←
	Serie		98.0
Total		98.0	

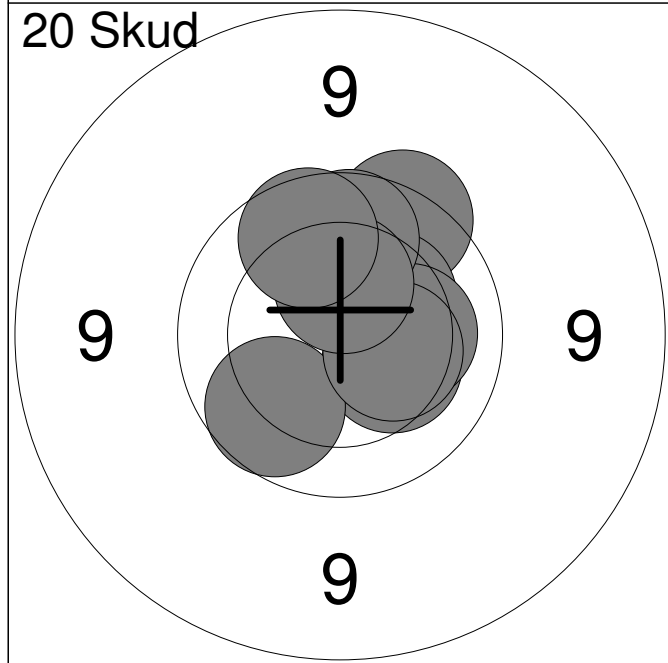
20 Skud 	11:	*10.8	→
	12:	10.3	→
	13:	*10.7	↘
	14:	*10.5	↘
	15:	9.9	↘
	16:	*10.8	↑
	17:	10.2	↗
	18:	9.9	↗
	19:	*10.6	→
	20:	*10.6	→
	Serie		98.0
Total		196.0	



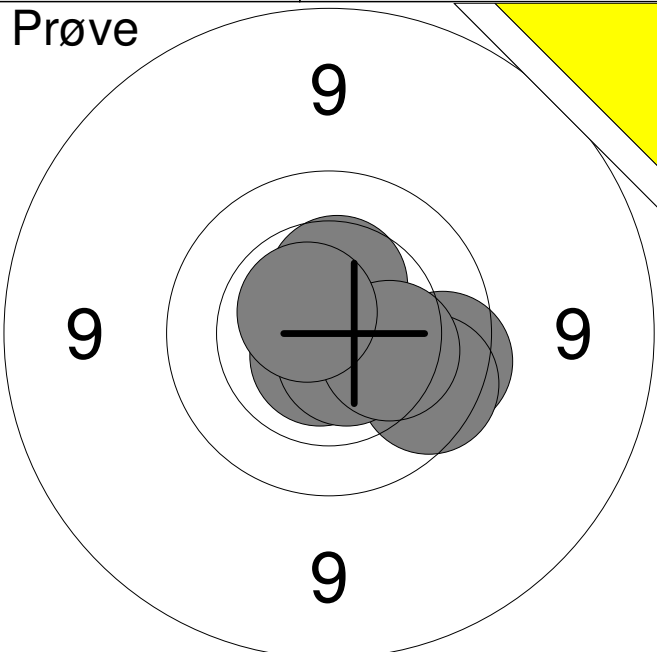
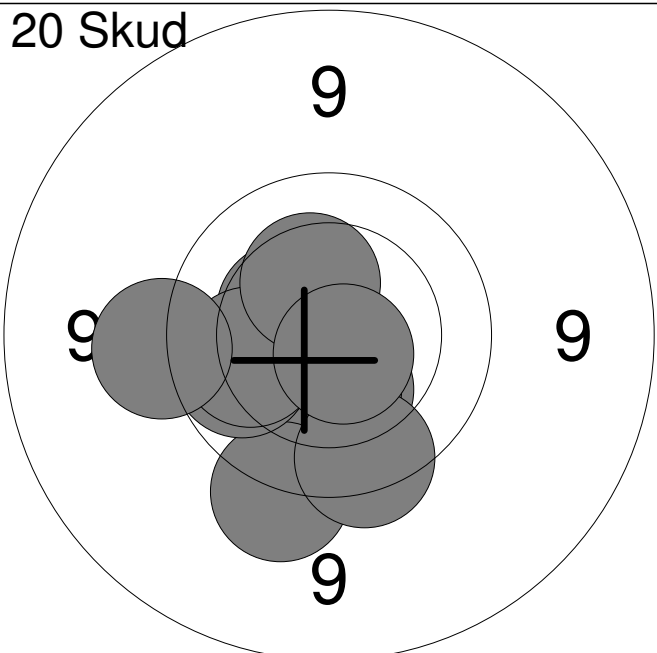
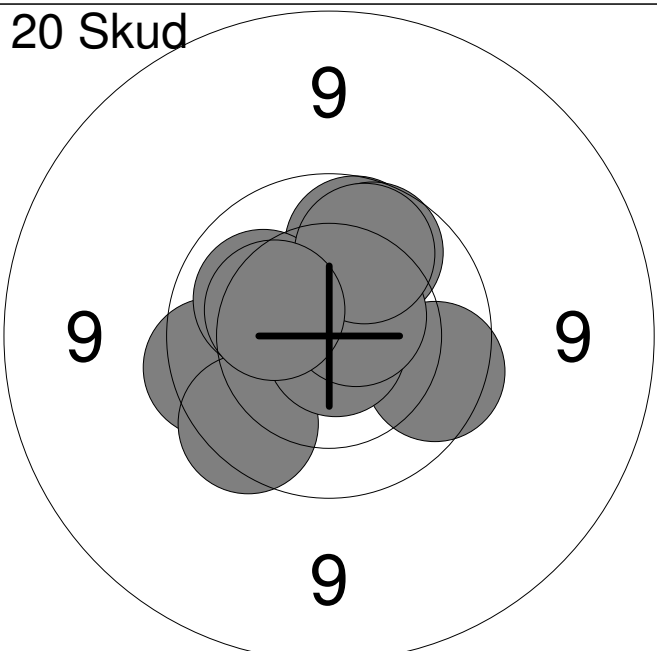
1:	9.6	→
2:	9.9	↘
3:	9.7	↘
4:	10.0	↗
5:	10.1	↗
6:	10.1	↘
7:	9.7	↗
8:	9.6	↘
9:	10.2	↗
10:	10.2	→
Serie		95.0
Total		0.0

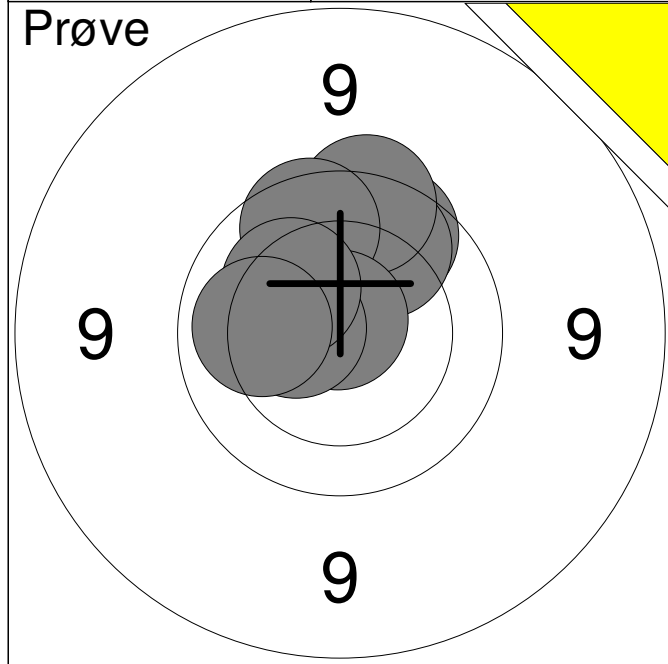


1:	*10.5	↘
2:	9.8	↗
3:	10.3	→
4:	*10.6	↗
5:	10.2	←
6:	9.7	↗
7:	*10.6	↗
8:	9.8	↘
9:	*10.6	↘
10:	*10.8	↘
Serie		97.0
Total		97.0

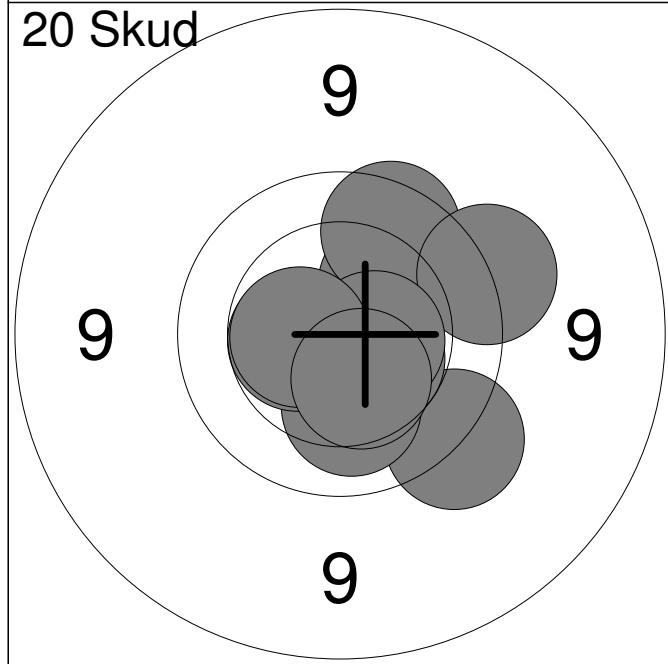


11:	10.3	↘
12:	9.7	↗
13:	10.3	↗
14:	9.9	↘
15:	10.2	→
16:	10.3	↗
17:	9.9	↗
18:	10.4	↘
19:	10.4	↗
20:	9.9	↗
Serie		96.0
Total		193.0

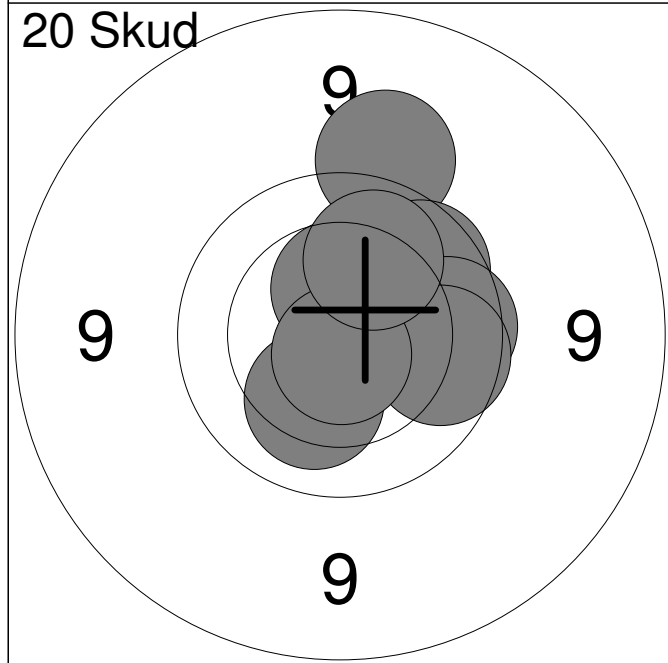
Hold	Skive	Morten Andersen		
4	11	Skf. Kimbrenne	MV1	
15m				
26.02.2013	NM Senior 2013	Aalborg Skyttekreds		
Prøve		1: 9.8	→	
		2: 9.8	→	
		3: *10.7	↙	
		4: *10.6	↙	
		5: 10.4	↑	
		6: 10.3	→	
		7: *10.6	↗	
		Serie	68.0	
		Total	0.0	
20 Skud		1: 10.3	↓	
		2: 10.3	↓	
		3: 9.5	↙	
		4: 10.4	↗	
		5: 9.9	←	
		6: 10.1	←	
		7: 10.4	↑	
		8: 9.7	↓	
		9: 9.5	←	
		10: *10.7	↓	
		Serie	96.0	
		Total	96.0	
20 Skud		11: 9.8	←	
		12: 9.8	↙	
		13: 9.9	↑	
		14: 9.8	→	
		15: *10.8	↙	
		16: 9.9	↗	
		17: 10.1	↗	
		18: *10.6	↗	
		19: 10.0	↑	
		20: 10.3	↙	
		Serie	95.0	
		Total	191.0	



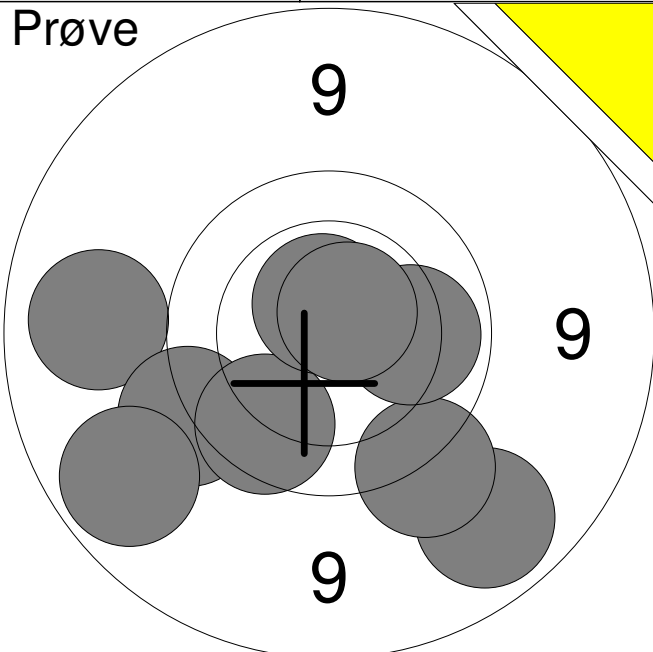
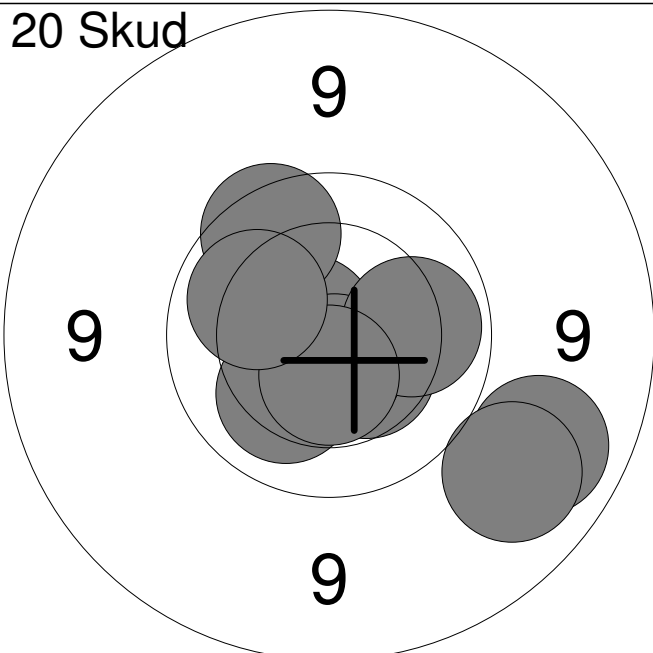
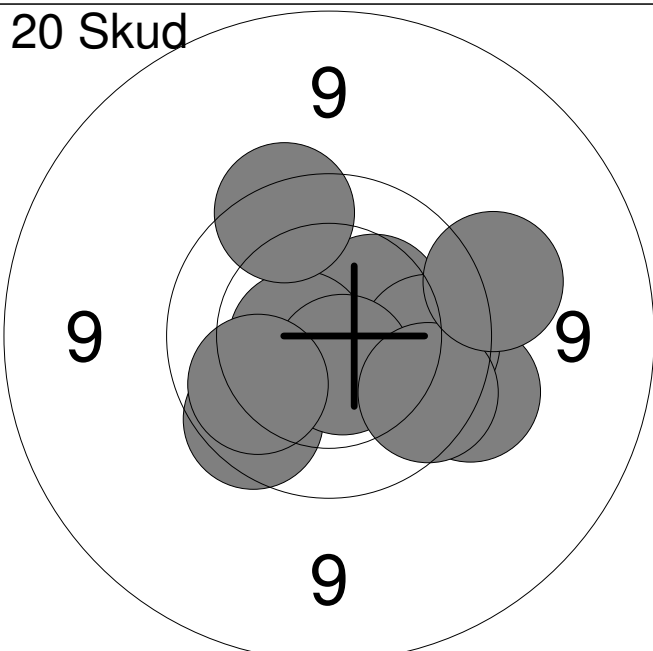
1:	9.8	↗
2:	9.9	↗
3:	9.7	↑
4:	9.8	↑
5:	*10.8	↑
6:	10.5	←
7:	10.2	↗
8:	10.1	←
Serie		76.0
Total		0.0

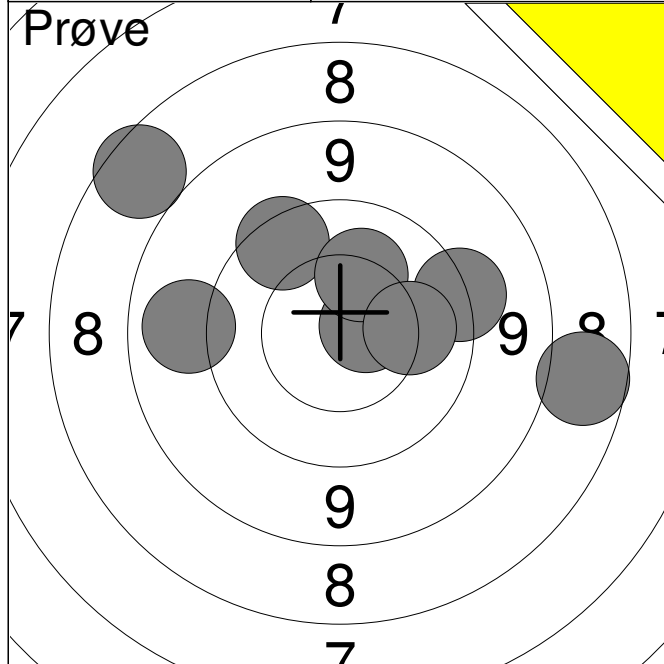


1:	10.2	↗
2:	9.8	↗
3:	9.5	→
4:	9.6	↘
5:	10.2	↘
6:	10.5	↘
7:	*10.6	→
8:	10.5	←
9:	*10.5	←
10:	10.4	↘
Serie		97.0
Total		97.0

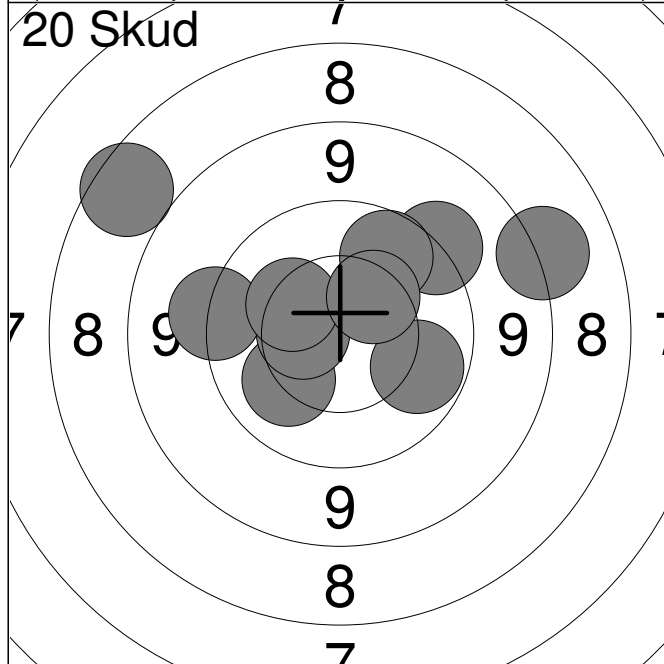


11:	9.4	↑
12:	10.1	↗
13:	10.2	→
14:	10.5	↑
15:	9.9	↗
16:	9.9	→
17:	9.9	→
18:	10.2	↘
19:	*10.7	↘
20:	10.1	↗
Serie		96.0
Total		193.0

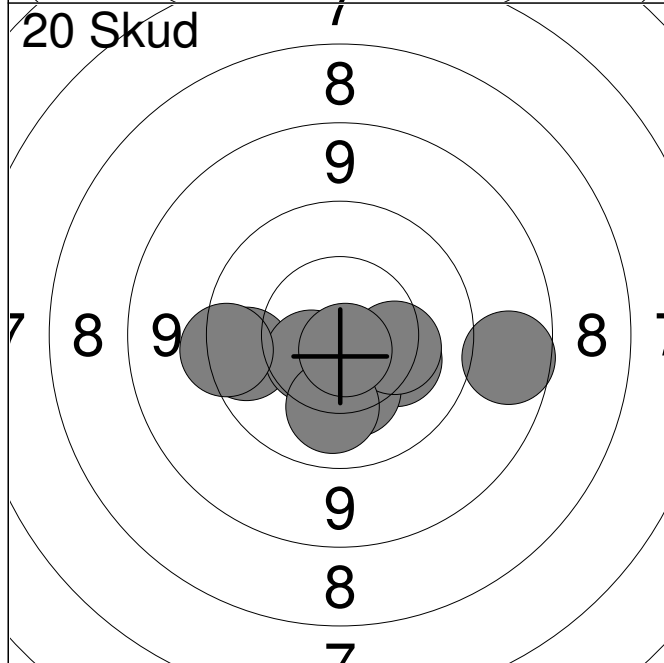
Hold	Skive	Kurt Pedersen		
5	1	Hobro Egnens Skytteforening		ÅK3
15m	26.02.2013		NM Senior 2013	Aalborg Skyttekreds
Prøve				
		1:	9.0	↘
		2:	9.1	←
		3:	9.5	↙
		4:	9.0	↙
		5:	9.8	↙
		6:	9.5	↘
		7:	10.1	→
		8:	*10.6	↑
		9:	*10.6	↗
		Serie		84.0
		Total		0.0
20 Skud				
		1:	*10.7	↗
		2:	9.8	↗
		3:	10.4	↘
		4:	10.2	↙
		5:	9.1	↘
		6:	*10.6	↘
		7:	10.1	→
		8:	*10.5	↘
		9:	10.1	↗
		10:	9.1	↘
		Serie		97.0
		Total		97.0
20 Skud				
		11:	10.4	↗
		12:	9.8	↙
		13:	*10.6	←
		14:	9.6	→
		15:	9.9	→
		16:	9.7	↗
		17:	*10.6	↘
		18:	9.8	↘
		19:	9.5	→
		20:	10.0	↙
		Serie		94.0
		Total		191.0



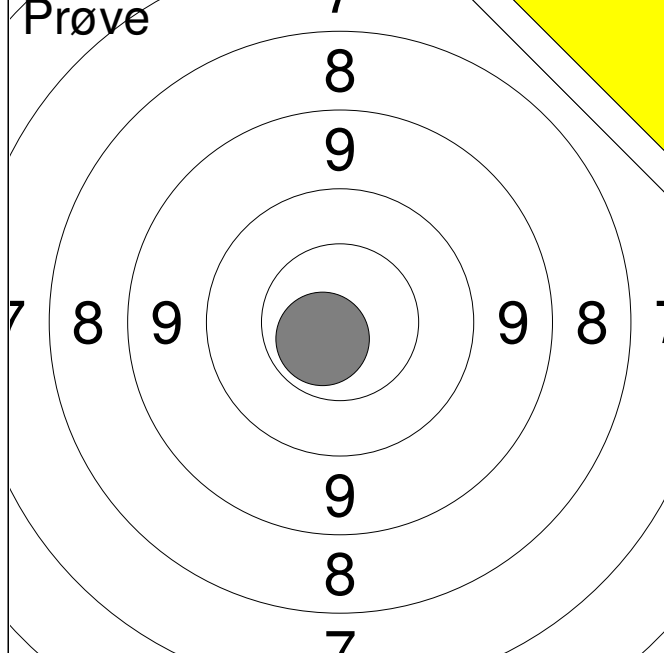
1:	7.9	→
2:	*10.6	→
3:	9.1	←
4:	9.7	↗
5:	9.5	→
6:	10.2	↗
7:	7.8	↗
8:	10.1	→
Serie		71.0
Total		0.0



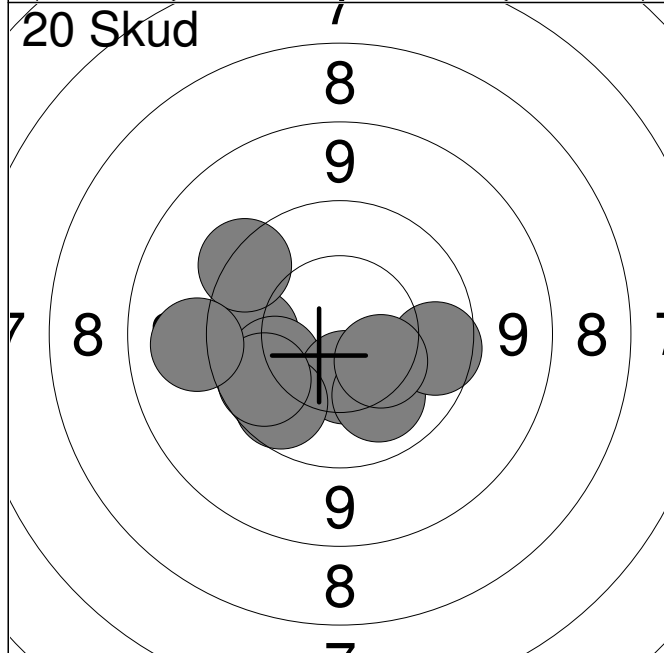
1:	7.8	↖
2:	10.2	↙
3:	8.3	→
4:	9.4	←
5:	9.4	↗
6:	10.5	←
7:	10.3	↗
8:	10.0	→
9:	9.9	↗
10:	10.4	↗
Serie		92.0
Total		92.0



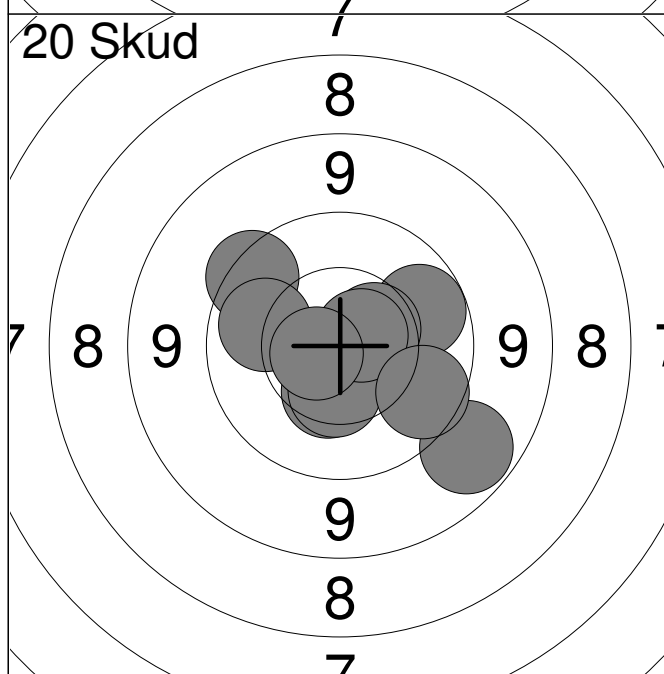
11:	8.9	→
12:	10.2	→
13:	10.5	↓
14:	9.8	←
15:	10.3	↓
16:	10.3	→
17:	10.5	↙
18:	10.1	↓
19:	9.6	←
20:	*10.8	↓
Serie		96.0
Total		188.0



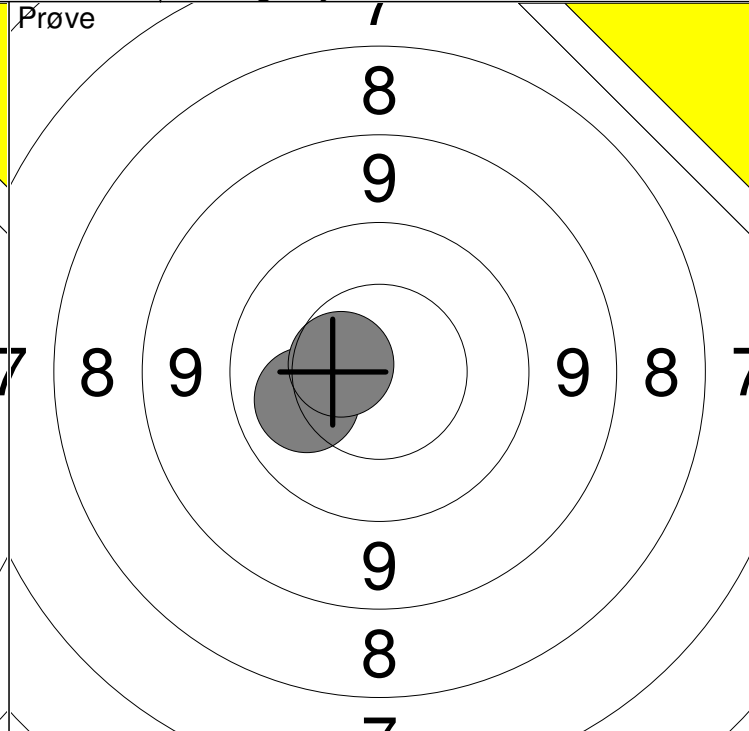
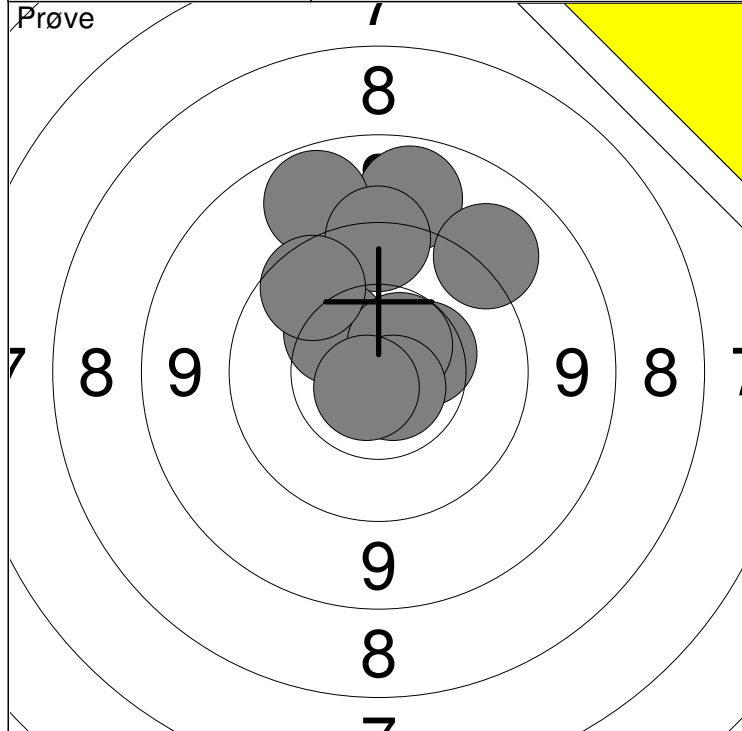
	1:	*10.7	↙
<hr/>			
Serie			10.0
Total			0.0



	1:	9.9	←
	2:	10.1	←
	3:	10.4	↓
	4:	10.1	↓
	5:	9.9	↙
	6:	9.8	→
	7:	10.4	↓
	8:	9.9	↙
	9:	9.6	↗
	10:	9.2	←
<hr/>			
Serie			94.0
Total			94.0

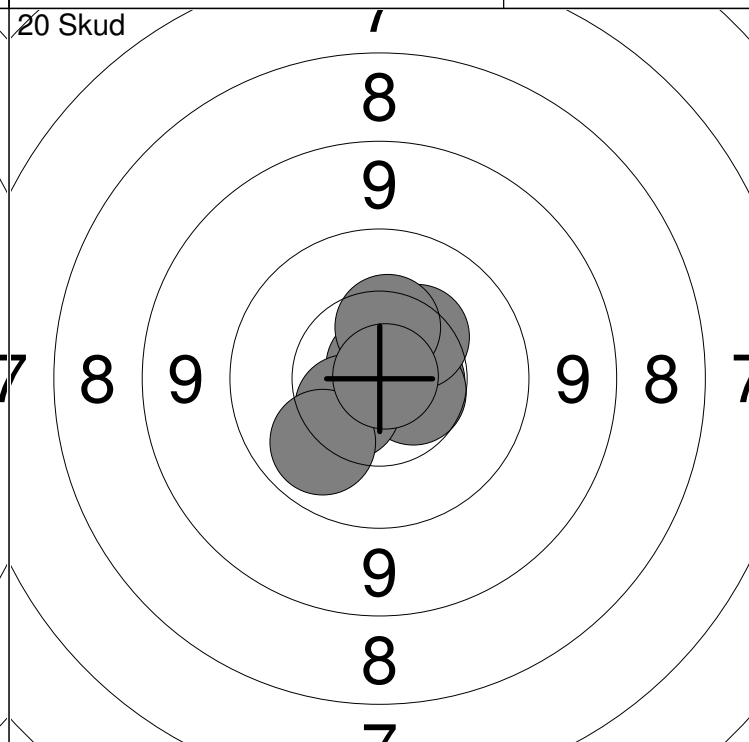
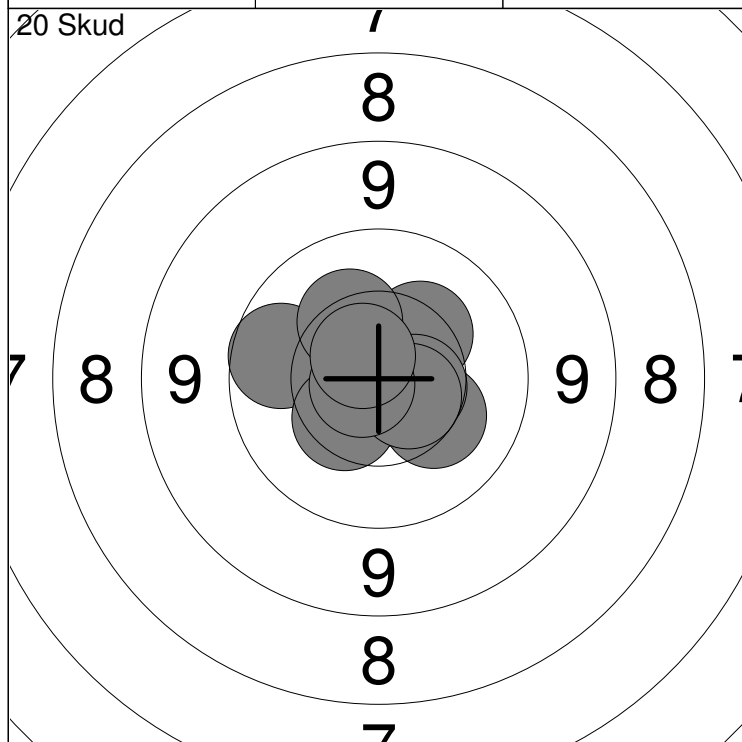


	11:	9.6	↗
	12:	10.0	→
	13:	9.0	↓
	14:	10.5	→
	15:	10.4	↓
	16:	10.4	↓
	17:	*10.7	↗
	18:	10.0	←
	19:	*10.7	←
	20:	9.8	↘
<hr/>			
Serie			97.0
Total			191.0



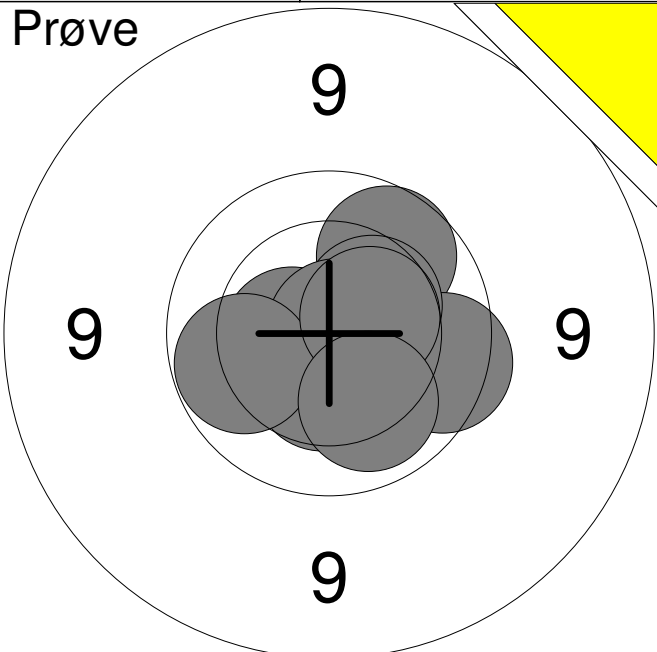
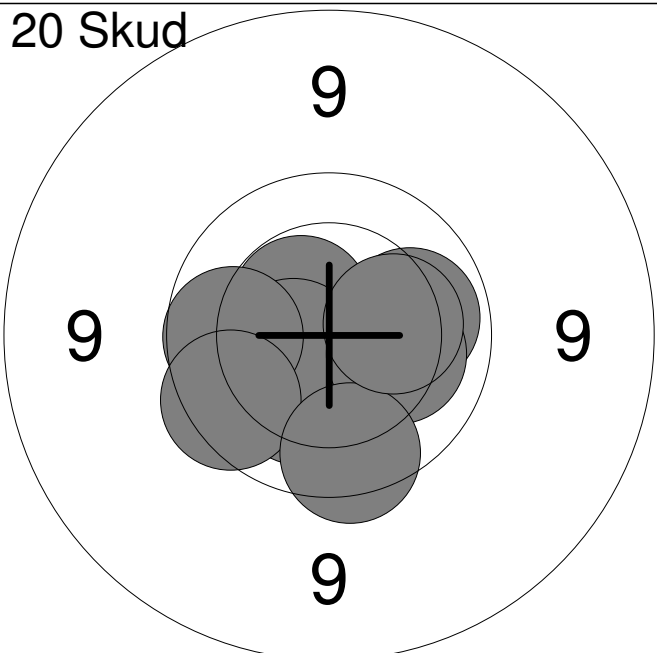
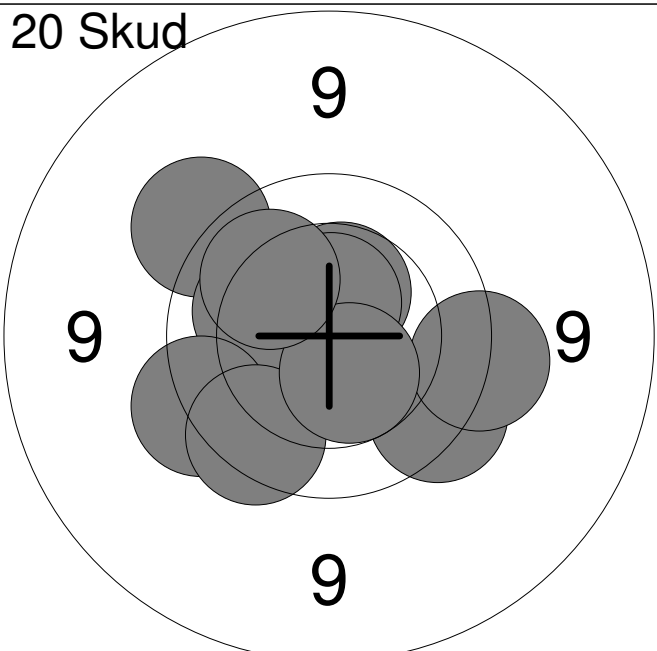
1: 9.1 ↑	6: *10.6 ↗	Serie	95.0
2: 9.0 ↑	7: 9.3 ↗		
3: 9.5 ↑	8: 9.8 ↖	Total	0.0
4: 10.4 →	9: *10.7 ↘		
5: 10.3 ↖	10: *10.7 ↘		

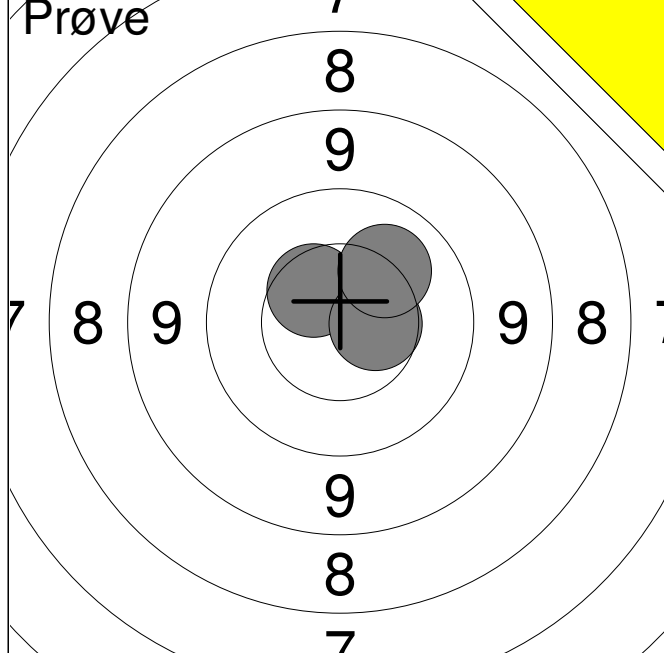
11: 10.1 ←	Serie	20.0
12: 10.5 ←		
	Total	0.0



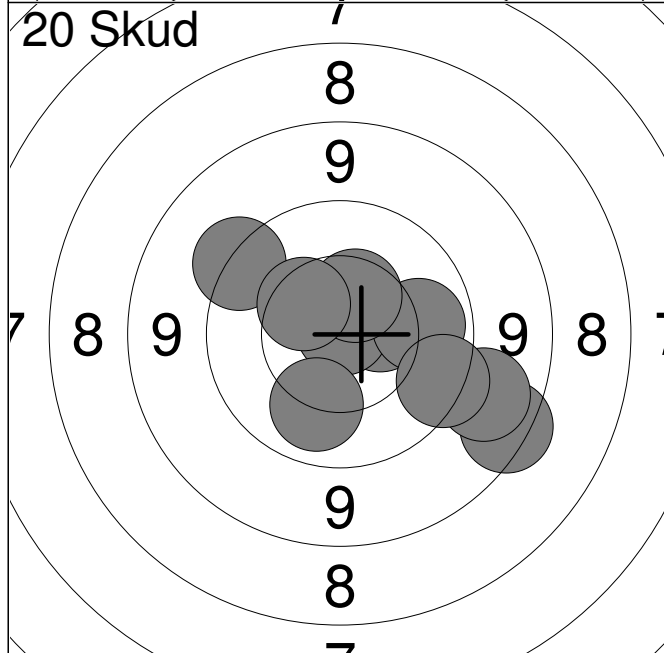
1: 10.3 ↗	6: 10.4 ↘	Serie	99.0
2: 10.3 ↘	7: *10.6 →		
3: *10.8 ↓	8: 10.3 ↑	Total	99.0
4: 9.9 ←	9: *10.8 ←		
5: 10.6 →	10: *10.7 ↗		

11: *10.6 →	16: *10.6 ↗	Serie	100.0
12: 10.6 →	17: 10.4 ↗		
13: *10.8 ↑	18: 10.4 ↑	Total	199.0
14: 10.4 ↗	19: 10.1 ↘		
15: 10.5 ↘	20: *10.9 →		

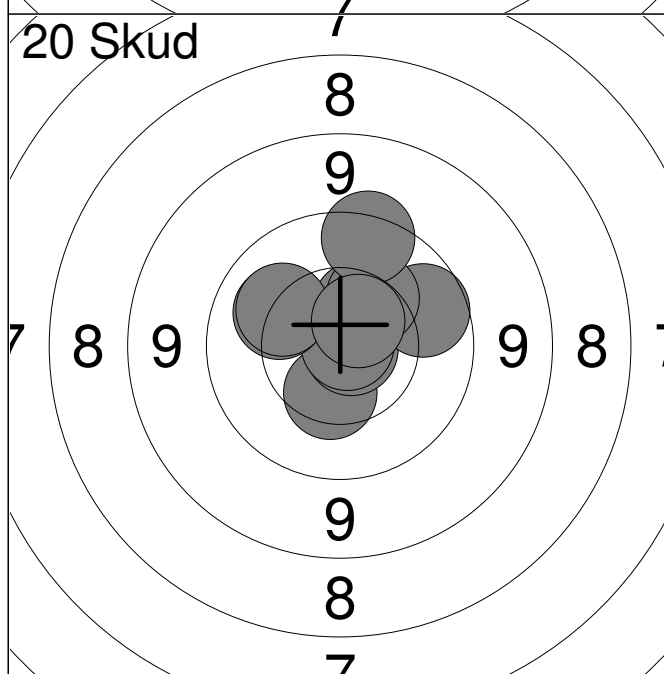
Hold	Skive	Erling Pedersen		
5	5	Hobro Egnens Skytteforening	ÅK3	
26.02.2013	NM Senior 2013	Aalborg Skyttekreds		
Prøve 	1:	9.9	↗	
	2:	*10.5	←	
	3:	10.4	↘	
	4:	9.8	→	
	5:	10.4	↗	
	6:	10.4	↓	
	7:	*10.8	↗	
	8:	10.0	←	
	9:	10.5	↗	
	10:	10.1	↓	
	Serie			98.0
Total			0.0	
20 Skud 	1:	10.2	↓	
	2:	*10.5	←	
	3:	*10.5	↗	
	4:	10.1	→	
	5:	*10.5	←	
	6:	9.9	←	
	7:	9.8	↙	
	8:	10.2	→	
	9:	9.8	↓	
	10:	10.2	→	
	Serie			97.0
Total			97.0	
20 Skud 	11:	9.5	↗	
	12:	10.5	↑	
	13:	*10.6	↑	
	14:	10.2	↖	
	15:	9.6	↙	
	16:	9.8	↙	
	17:	9.7	↘	
	18:	9.6	→	
	19:	*10.5	↓	
	20:	10.1	↗	
	Serie			95.0
Total			192.0	



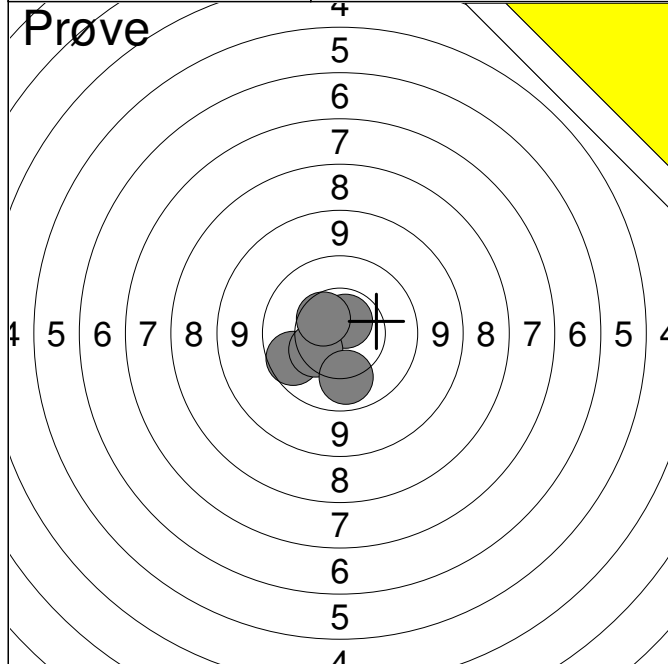
1:	10.5	↖
2:	10.5	→
3:	10.2	↗
Serie		30.0
Total		0.0



1:	8.6	↘
2:	10.5	→
3:	9.1	↘
4:	*10.9	↗
5:	10.0	→
6:	9.6	↘
7:	9.5	↗
8:	10.1	↙
9:	10.5	↗
10:	10.4	↗
Serie		95.0
Total		95.0

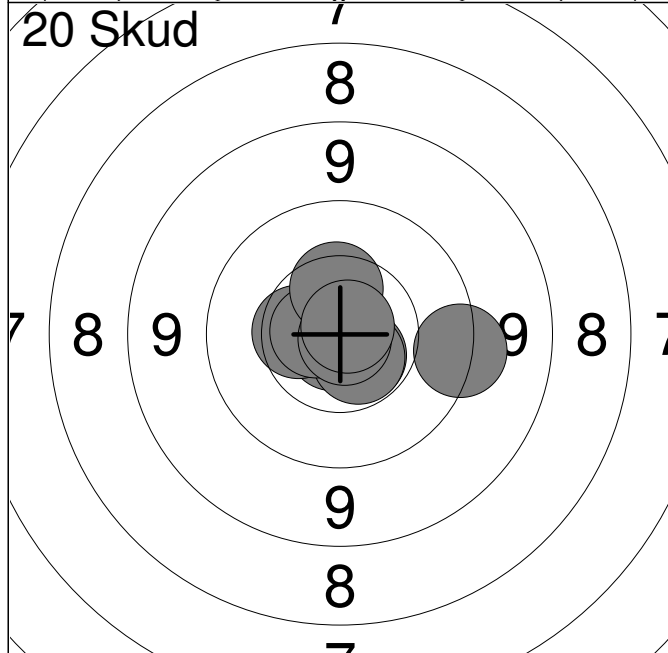


11:	10.4	↘
12:	*10.8	→
13:	9.9	↗
14:	*10.9	→
15:	10.5	↗
16:	10.3	↗
17:	10.2	↖
18:	10.2	↖
19:	9.6	↗
20:	*10.6	↗
Serie		98.0
Total		193.0



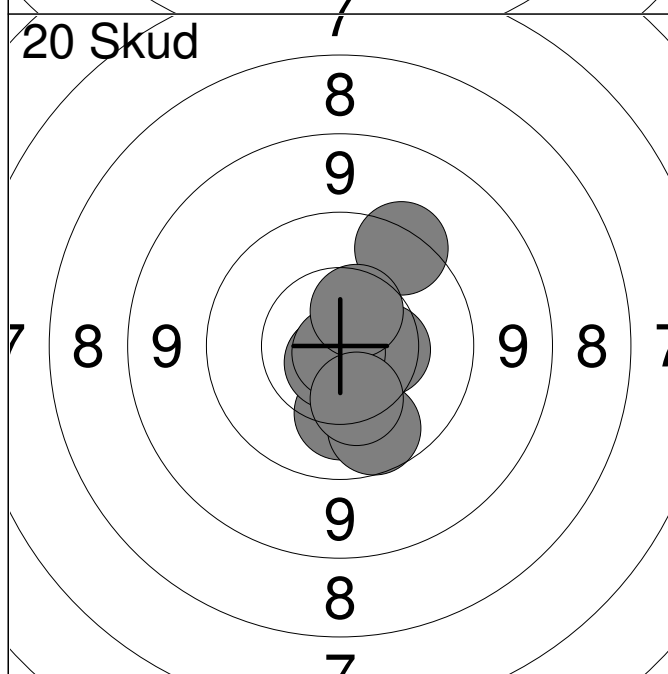
1:	9.9	↙
2:	*10.7	↑
3:	10.4	↙
4:	10.1	↓
5:	3.2	↗
6:	10.5	↗

Serie	52.0
Total	0.0



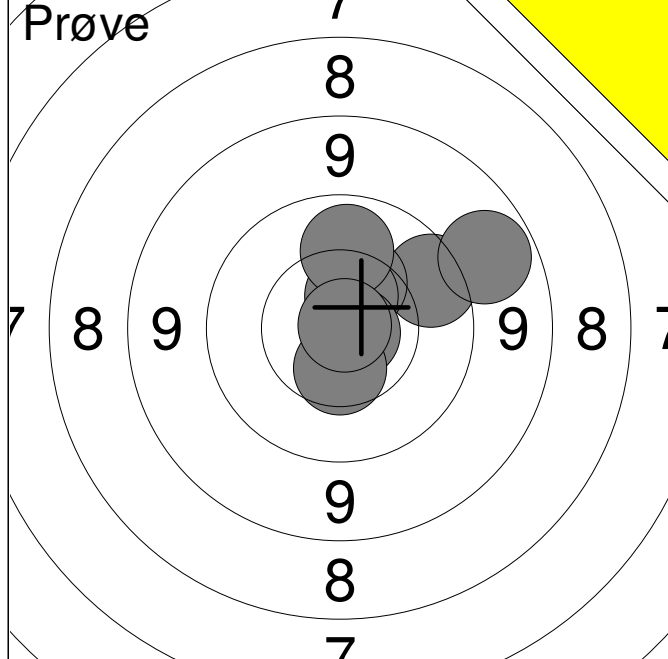
1:	*10.8	↙
2:	10.5	←
3:	*10.7	↖
4:	*10.6	↘
5:	*10.6	↘
6:	*10.7	←
7:	10.4	↑
8:	9.5	→
9:	*10.9	↘
10:	*10.8	↗

Serie	99.0
Total	99.0

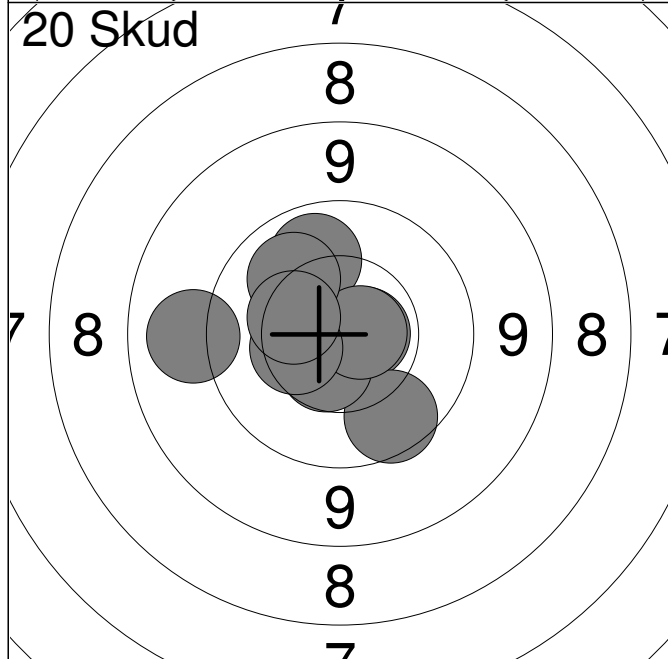


11:	*10.7	↙
12:	10.2	↓
13:	9.9	↓
14:	*10.7	↙
15:	9.6	↗
16:	*10.6	↘
17:	10.4	→
18:	*10.9	↓
19:	10.5	↗
20:	10.3	↓

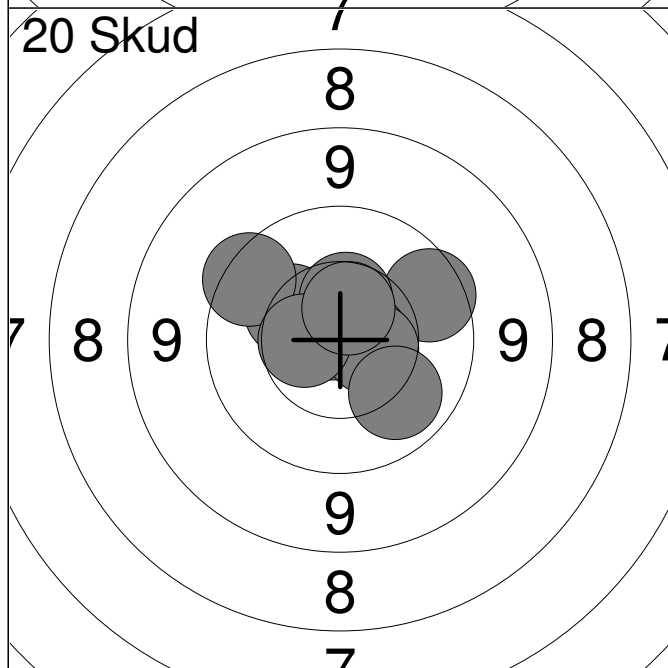
Serie	98.0
Total	197.0



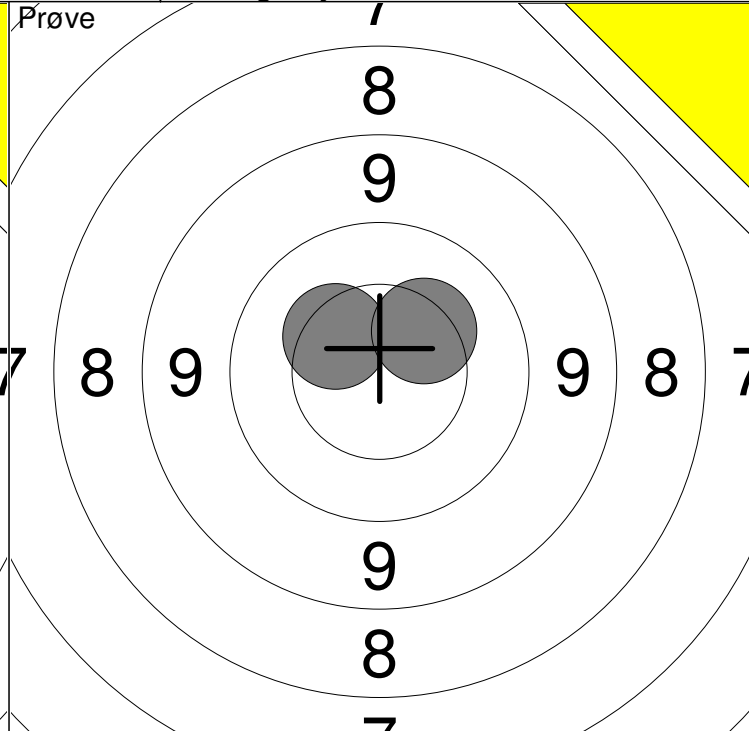
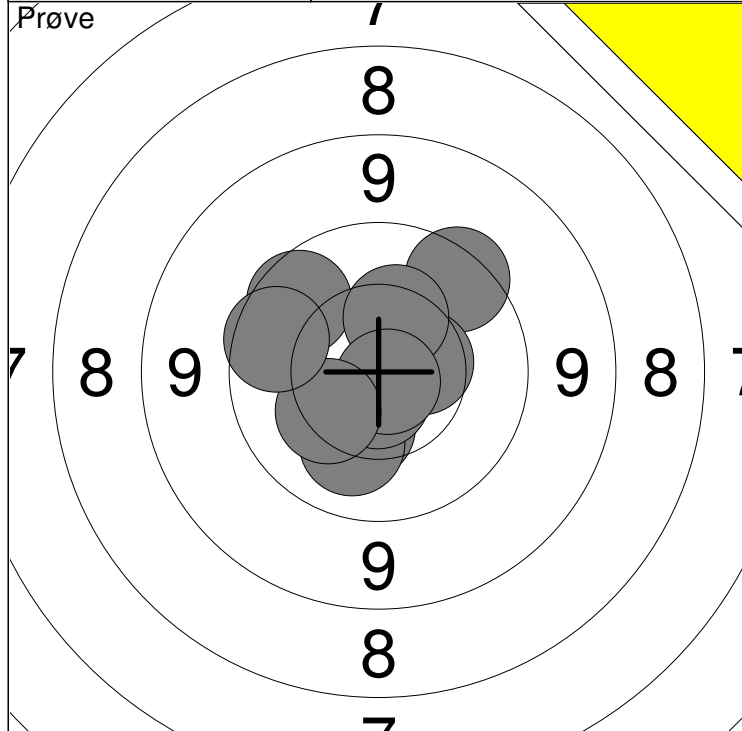
1:	9.7	↗
2:	9.0	↗
3:	10.4	↗
4:	10.6	↗
5:	10.1	↗
6:	*10.8	→
7:	10.5	↓
8:	*10.9	↗
Serie		78.0
Total		0.0



1:	*10.7	→
2:	10.6	↖
3:	10.0	↗
4:	9.2	←
5:	9.8	↓
6:	10.6	↘
7:	*10.7	→
8:	10.4	↖
9:	10.1	↗
10:	10.4	↖
Serie		98.0
Total		98.0

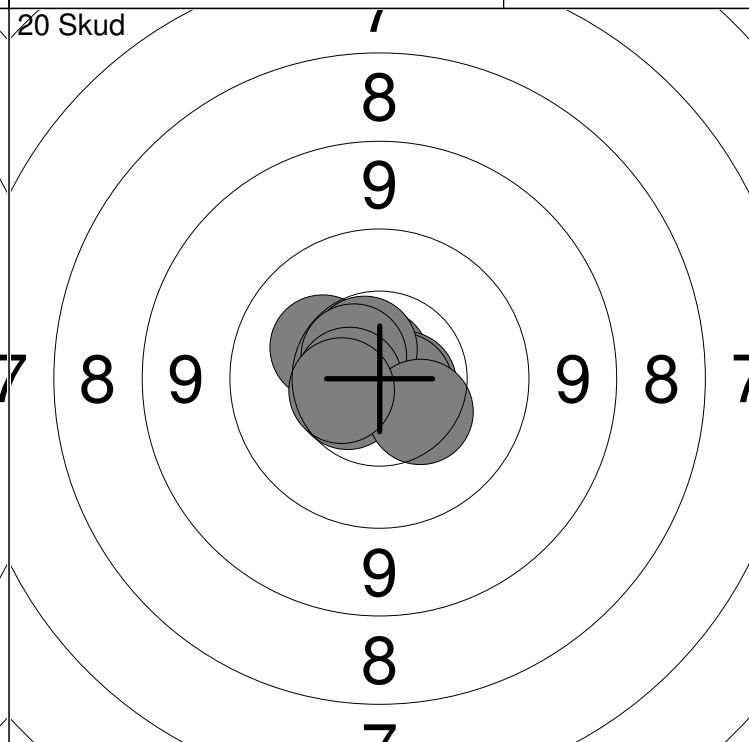
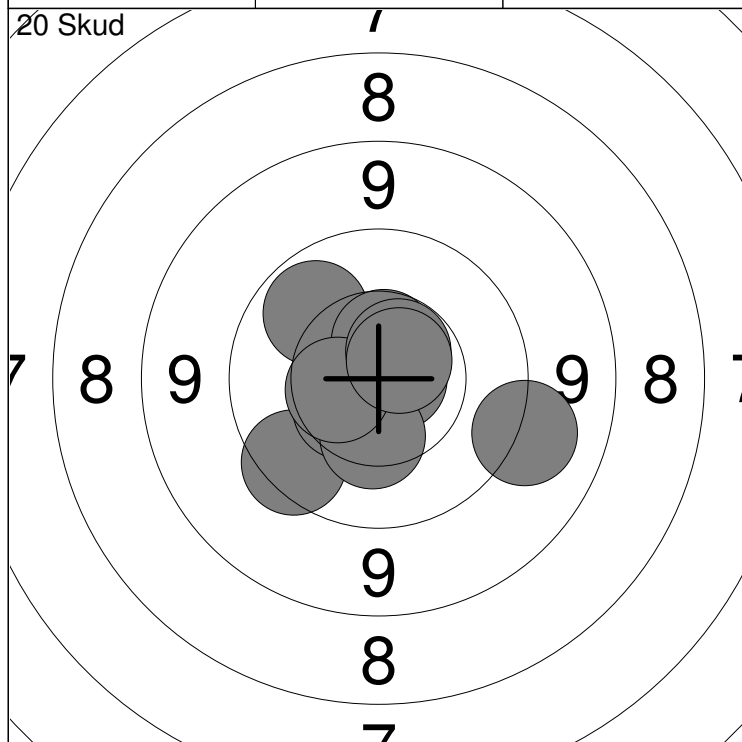


11:	10.3	↖
12:	9.8	↗
13:	9.7	↗
14:	*10.8	↗
15:	*10.7	→
16:	10.5	↗
17:	10.6	→
18:	10.5	←
19:	10.1	↘
20:	10.6	↗
Serie		98.0
Total		196.0



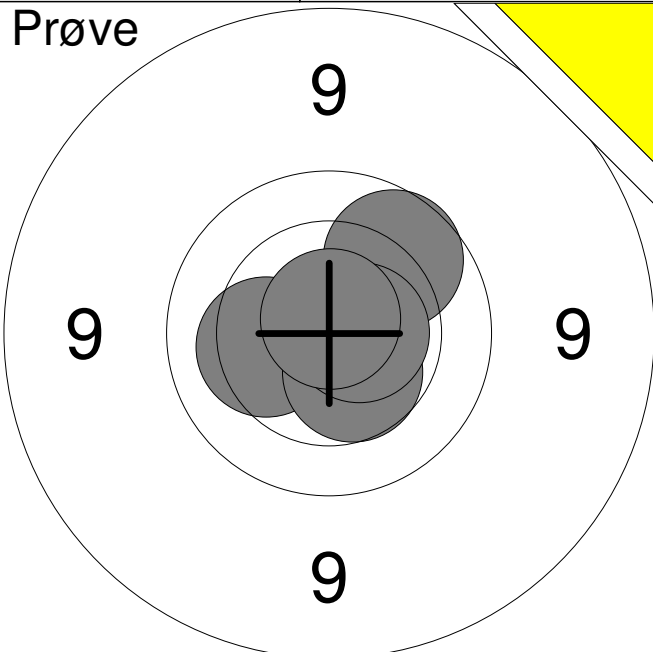
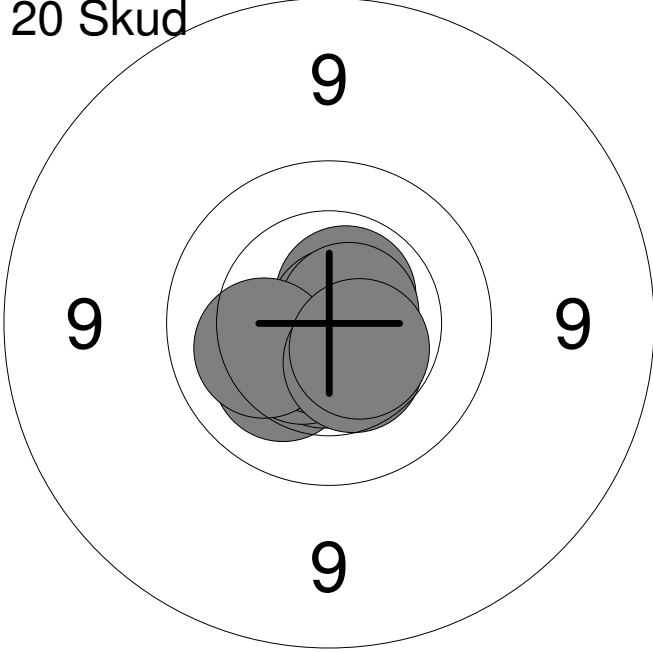
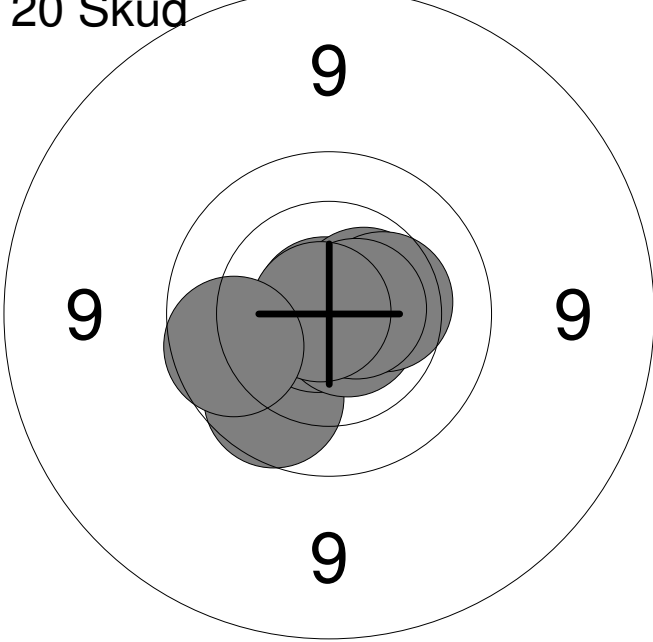
1: 10.4 ↓	6: 10.4 ↑	Serie	97.0
2: 9.7 ↗	7: *10.7 ↓		
3: 10.2 ↓	8: *10.8 ↓	Total	0.0
4: 10.5 →	9: 10.3 ↙		
5: 9.9 ↖	10: 9.8 ←		

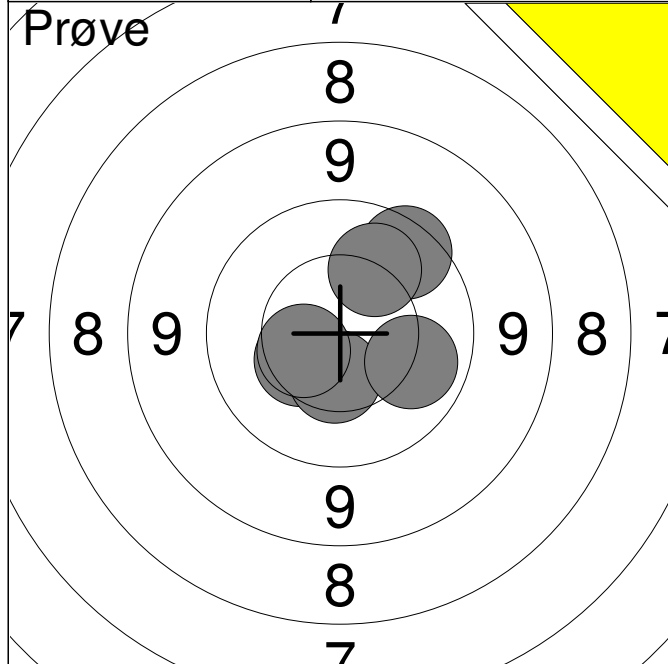
11: 10.4 ↖	Serie	20.0
12: 10.3 ↗		
Total		0.0



1: 10.0 ↖	6: 10.5 ↙	Serie	98.0
2: 9.7 ↙	7: 10.4 ↓		
3: 9.3 →	8: 10.5 ←	Total	98.0
4: *10.8 →	9: *10.6 ↗		
5: 10.6 ↑	10: *10.7 ↗		

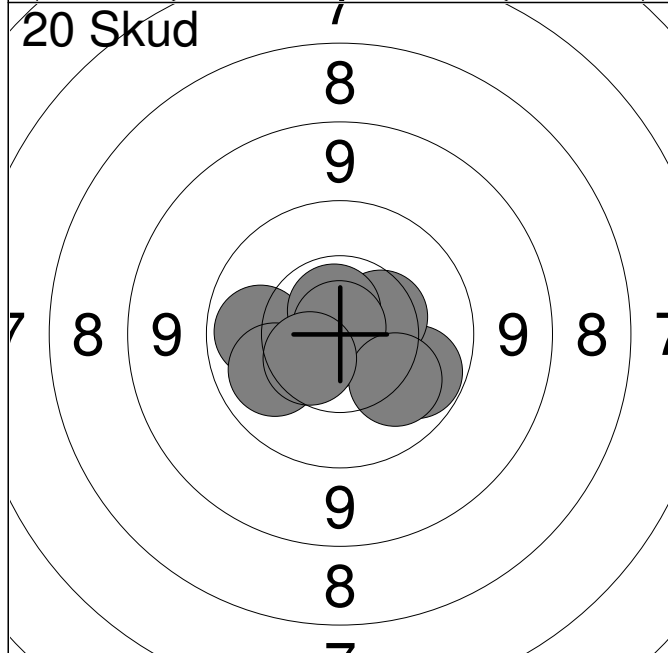
11: *10.8 ↑	16: *10.6 ↖	Serie	100.0
12: *10.7 →	17: *10.6 ↖		
13: 10.6 ↙	18: *10.6 ←	Total	198.0
14: 10.3 ↖	19: 10.4 ↘		
15: *10.7 →	20: 10.5 ←		

Hold	Skive	Ole H. Madsen		
5	10	Frederikshavn Skyttekreds	MV1	
26.02.2013	NM Senior 2013	Aalborg Skyttekreds		
Prøve		1:	10.3	←
		2:	10.5	↓
		3:	9.9	↗
		4:	*10.6	→
		5:	*10.8	↑
		Serie	49.0	
		Total	0.0	
20 Skud		1:	10.2	↙
		2:	*10.6	↓
		3:	*10.6	↗
		4:	*10.5	↙
		5:	*10.8	↗
		6:	*10.7	↓
		7:	*10.7	↗
		8:	10.2	↙
		9:	10.5	↓
		10:	*10.5	↓
		Serie	100.0	
		Total	100.0	
20 Skud		11:	*10.7	↗
		12:	*10.9	↗
		13:	9.9	↙
		14:	*10.8	↙
		15:	*10.7	↓
		16:	*10.5	↗
		17:	10.4	→
		18:	*10.7	→
		19:	*10.9	↙
		20:	9.9	↙
		Serie	98.0	
		Total	198.0	



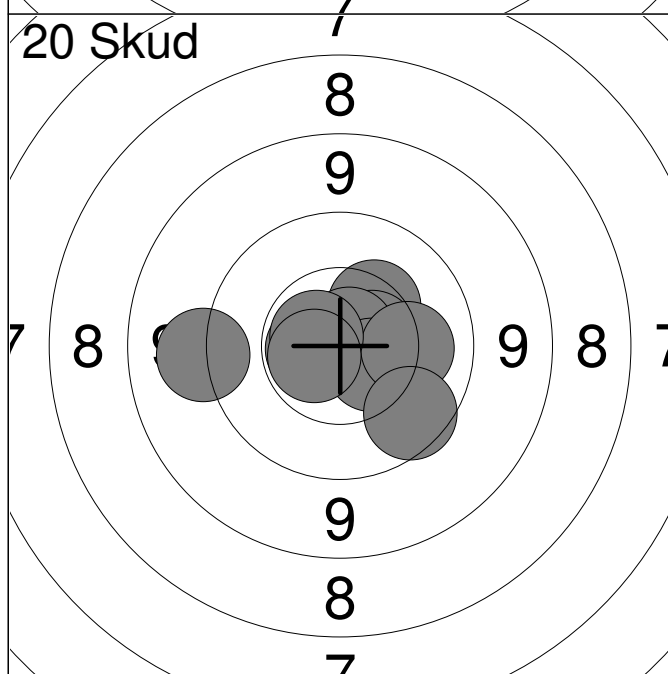
1:	9.7	↗
2:	10.1	↗
3:	10.4	↖
4:	10.4	↓
5:	10.1	→
6:	10.5	↖

Serie	59.0
Total	0.0



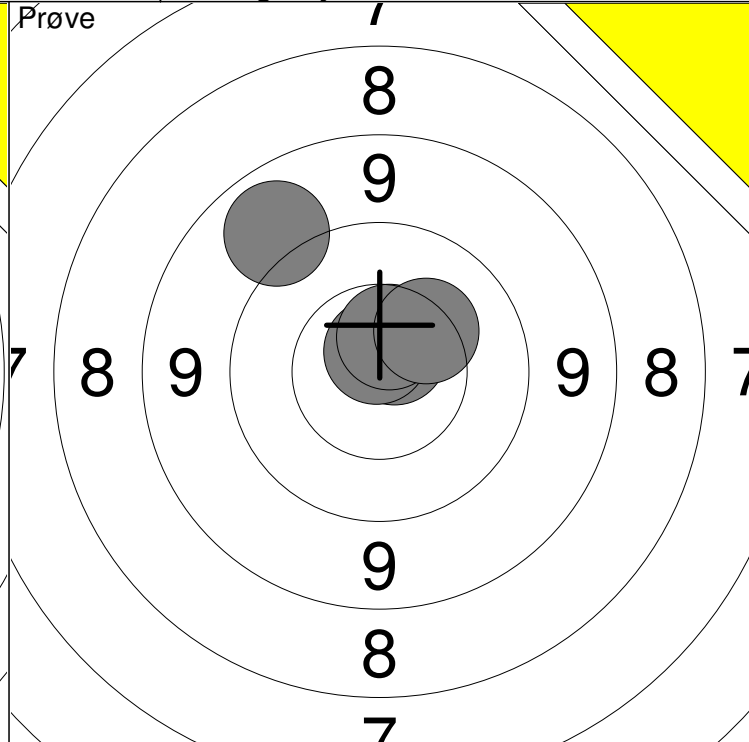
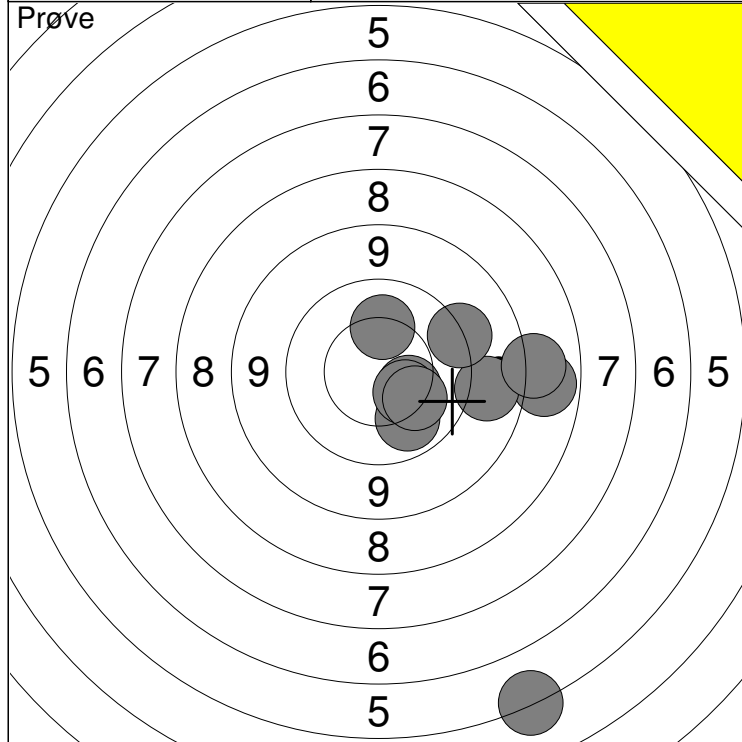
1:	*10.7	↖
2:	10.0	→
3:	10.6	↖
4:	10.0	←
5:	10.4	→
6:	*10.7	↑
7:	10.1	↖
8:	*10.9	↑
9:	10.1	↘
10:	10.5	↖

Serie	100.0
Total	100.0



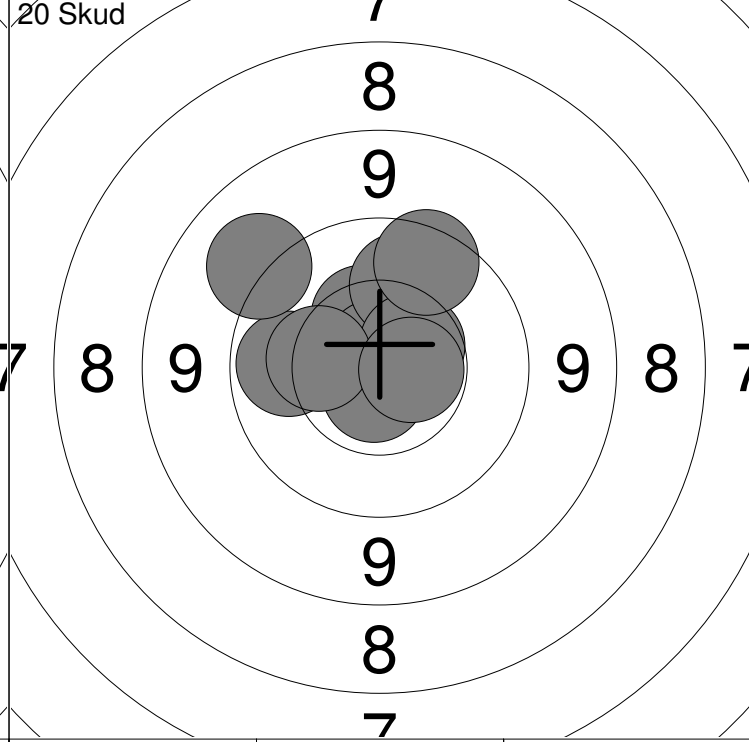
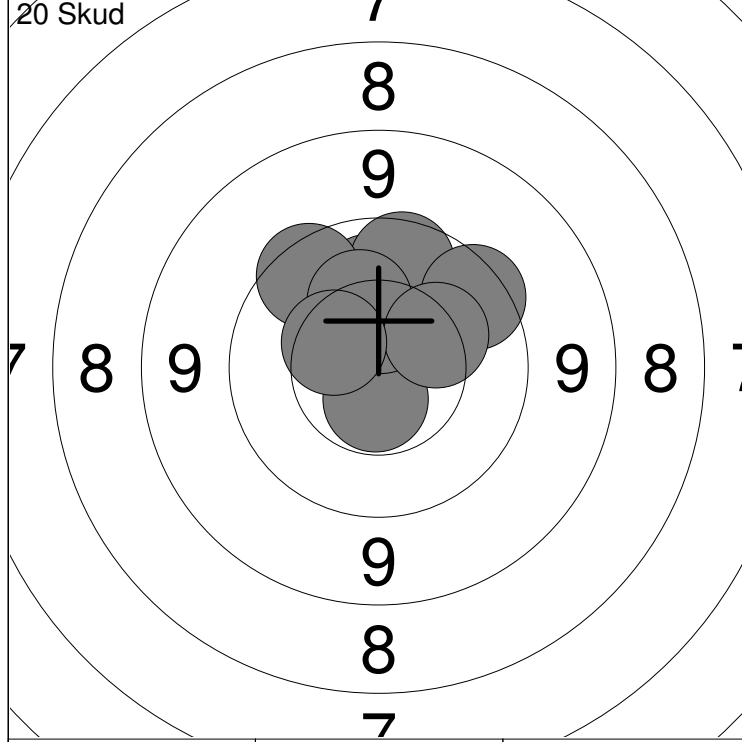
11:	*10.6	←
12:	10.3	↗
13:	10.6	→
14:	*10.8	↗
15:	10.5	↘
16:	10.2	→
17:	*10.7	↖
18:	*10.6	↖
19:	9.3	←
20:	9.8	↘

Serie	98.0
Total	198.0



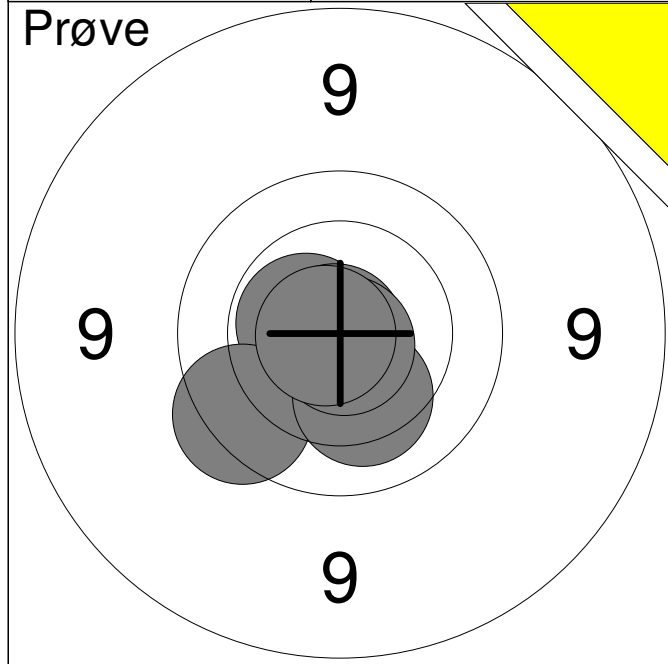
1: 8.0 →	6: 10.0 ↓	Serie	88.0
2: 4.4 ↓	7: 10.4 →		
3: 9.0 →	8: 10.4 ↓	Total	0.0
4: 8.2 →	9: 10.2 ↓		
5: 9.4 →	10: 10.2 ↑		

11: *10.7 ↗	Serie	49.0
12: 9.1 ↖		
13: *10.7 ↑	Total	0.0
14: 10.6 ↑		
15: 10.3 ↗		

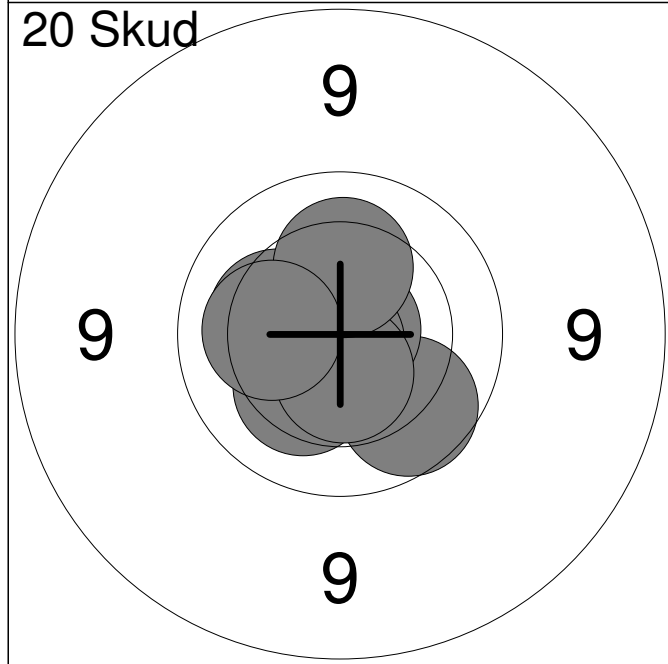


1: 10.5 ↖	6: 9.7 ↗	Serie	97.0
2: *10.6 ↓	7: 9.7 ↖		
3: 10.5 ↑	8: 10.3 ↑	Total	97.0
4: 10.1 ↑	9: 10.3 ↗		
5: 9.9 ↑	10: 10.4 ↖		

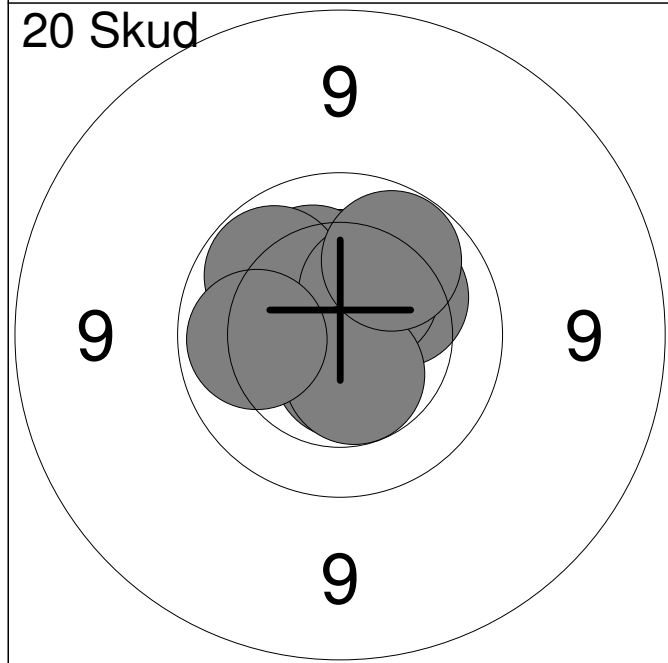
11: 10.4 ↑	Serie	98.0
12: *10.8 ↑		
13: 10.1 ↑	Total	195.0
14: 10.0 ←		
15: 9.3 ↖		



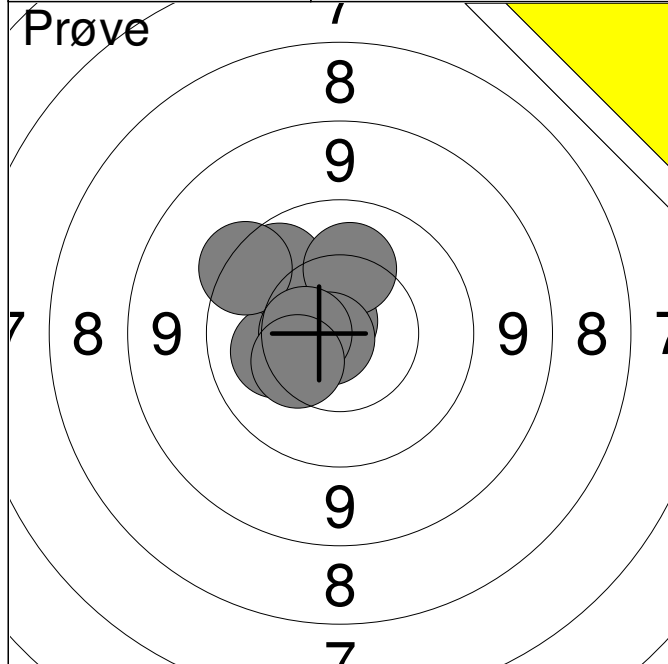
1:	*10.6	←
2:	*10.9	←
3:	9.7	↙
4:	10.2	↓
5:	*10.8	↓
6:	*10.8	←
Serie		59.0
Total		0.0



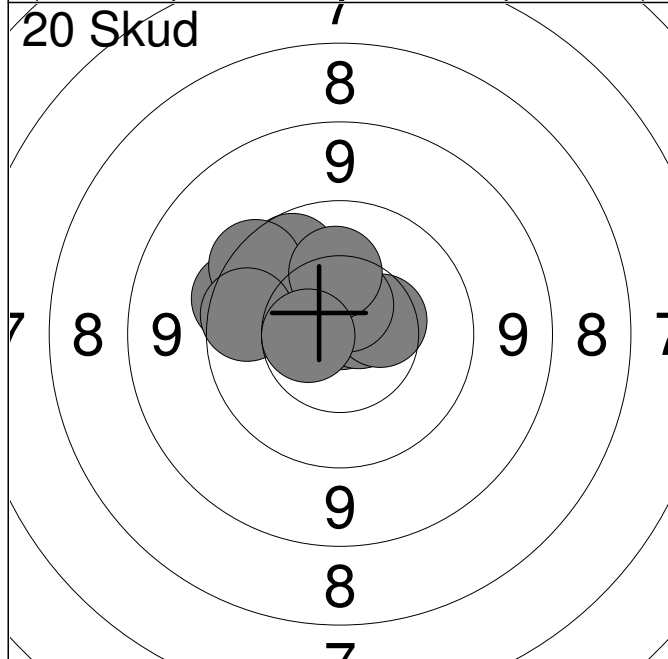
1:	10.3	↙
2:	*10.6	↗
3:	9.9	↓
4:	*10.8	→
5:	*10.5	←
6:	*10.8	↙
7:	10.3	←
8:	*10.5	↓
9:	10.2	↑
10:	10.2	←
Serie		99.0
Total		99.0



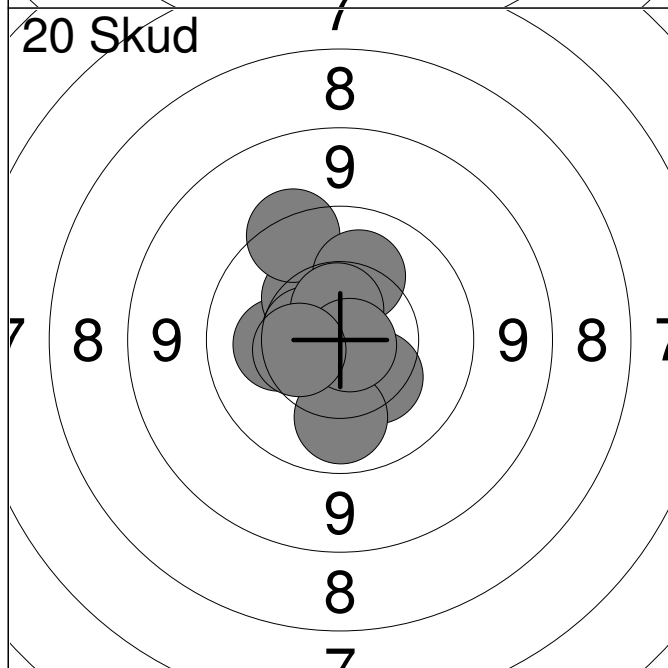
11:	10.4	↑
12:	*10.6	↓
13:	*10.5	↑
14:	10.2	↗
15:	10.2	↗
16:	10.0	↗
17:	10.4	↗
18:	*10.5	↓
19:	10.0	←
20:	10.0	↗
Serie		100.0
Total		199.0



1:	*10.8	↗
2:	10.2	↖
3:	9.9	↗
4:	9.6	↗
5:	10.2	↑
6:	*10.8	↖
7:	10.5	↖
8:	10.4	↖
Serie		78.0
Total		0.0

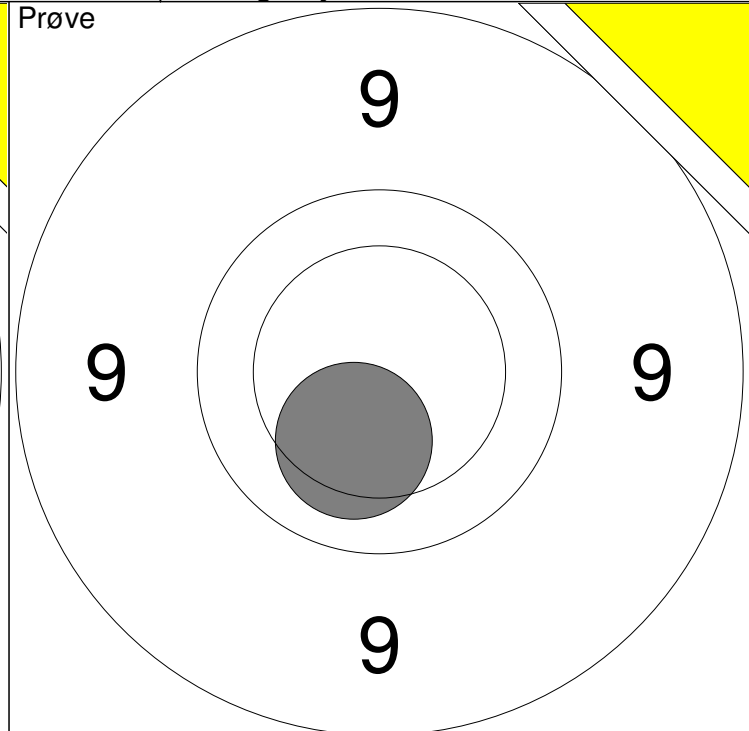
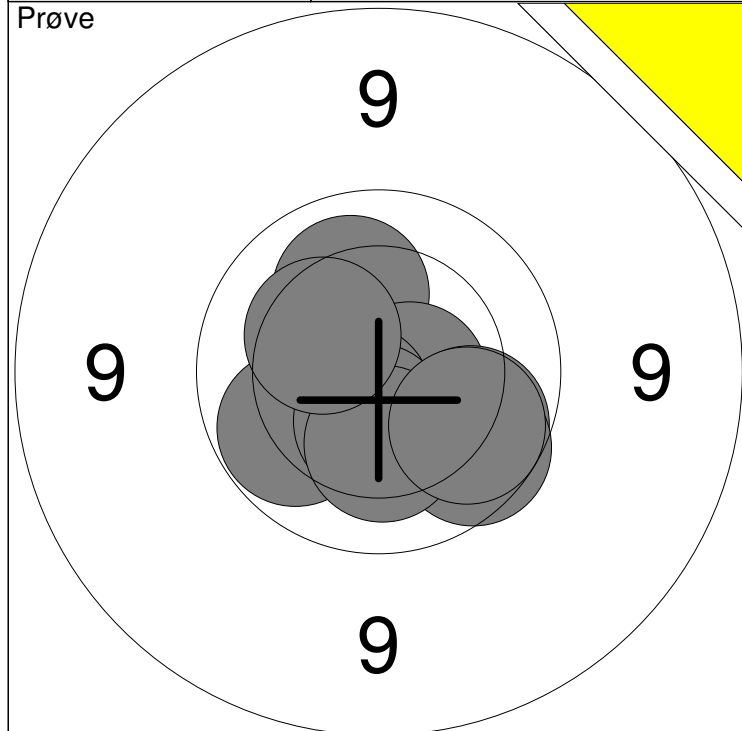


1:	*10.8	↑
2:	*10.7	↗
3:	10.5	→
4:	9.7	↖
5:	9.9	↗
6:	*10.6	↑
7:	9.7	↗
8:	10.2	↑
9:	9.8	↖
10:	10.6	↖
Serie		96.0
Total		96.0



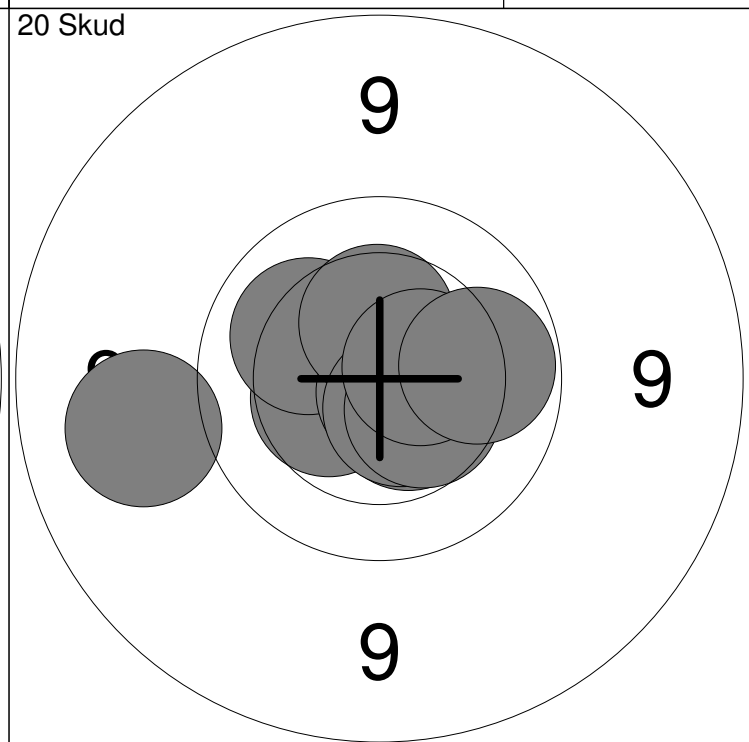
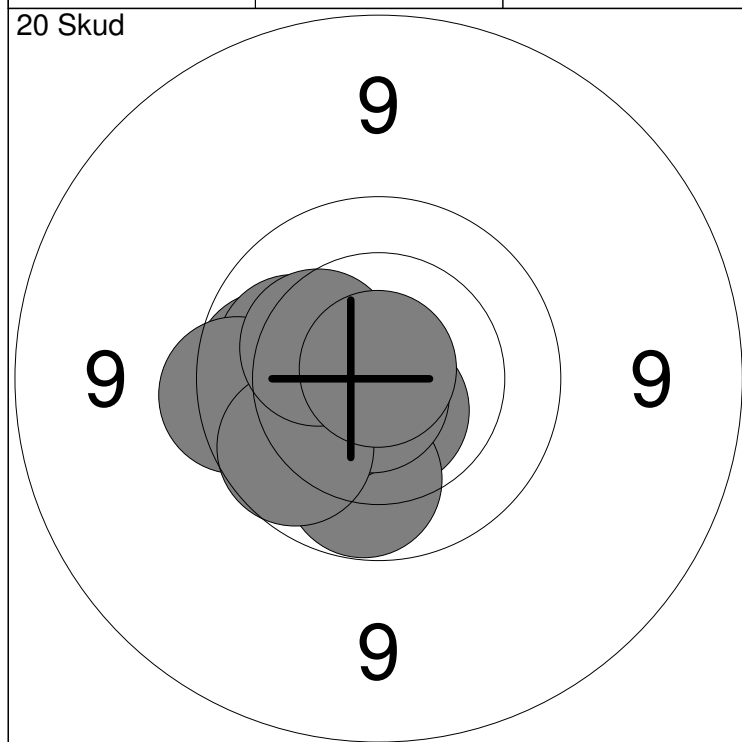
11:	10.2	↖
12:	10.3	↗
13:	9.6	↗
14:	10.6	↖
15:	10.2	↑
16:	10.3	↘
17:	10.1	↓
18:	*10.6	↑
19:	*10.8	↘
20:	10.5	↖
Serie		99.0
Total		195.0

Hold	Skive	Kurt Pedersen		
6	5	Hobro Egnens Skytteforening		MÅ3
26.02.2013	NM Senior 2013		Aalborg Skyttekreds	
Prøve		1: 10.0 → 2: 10.3 ↙ 3: *10.6 ↑		
		Serie 30.0 Total 0.0		
20 Skud		1: 10.1 ↗ 2: *10.7 ← 3: 10.0 → 4: *10.5 ↙ 5: 9.6 ↙ 6: *10.8 ↑ 7: 9.8 ↗ 8: 10.1 ← 9: *10.7 ↗ 10: 10.0 ↑		
		Serie 98.0 Total 98.0		
20 Skud		11: 10.1 ↓ 12: *10.7 → 13: 9.7 ↓ 14: 10.1 ↓ 15: 9.7 ↓ 16: 10.1 → 17: 10.4 ↑ 18: 10.2 ↑ 19: 10.3 → 20: 9.7 ↙		
		Serie 97.0 Total 195.0		



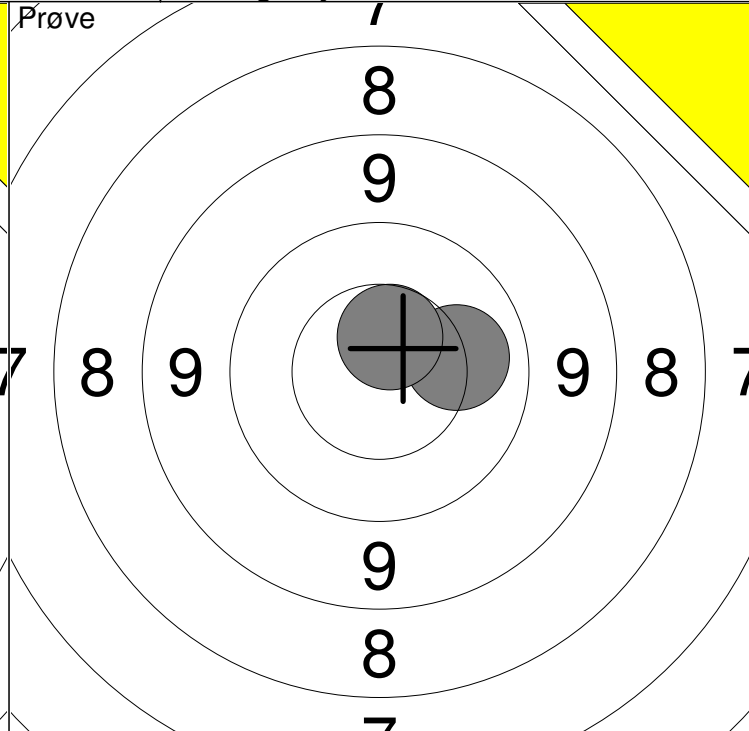
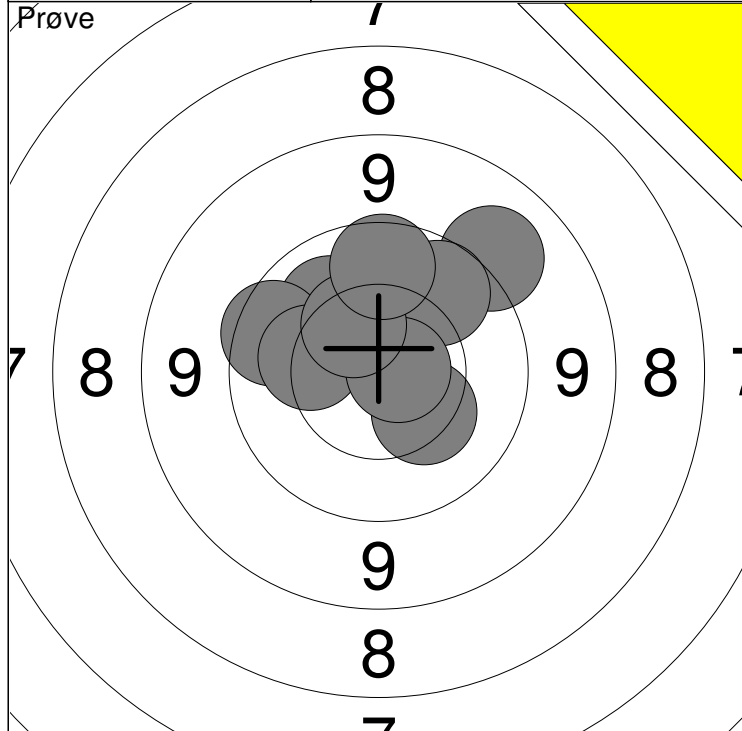
1: 10.2 ↑	6: 10.5 ↓	Serie	98.0
2: *10.6 →	7: 9.9 ↘		
3: *10.6 ↙	8: 10.3 ↓	Total	0.0
4: 10.0 ←	9: 10.0 ↘		
5: 9.9 ↘	10: 10.3 ↖		

11: 10.2 ↓	Serie	10.0
	Total	0.0



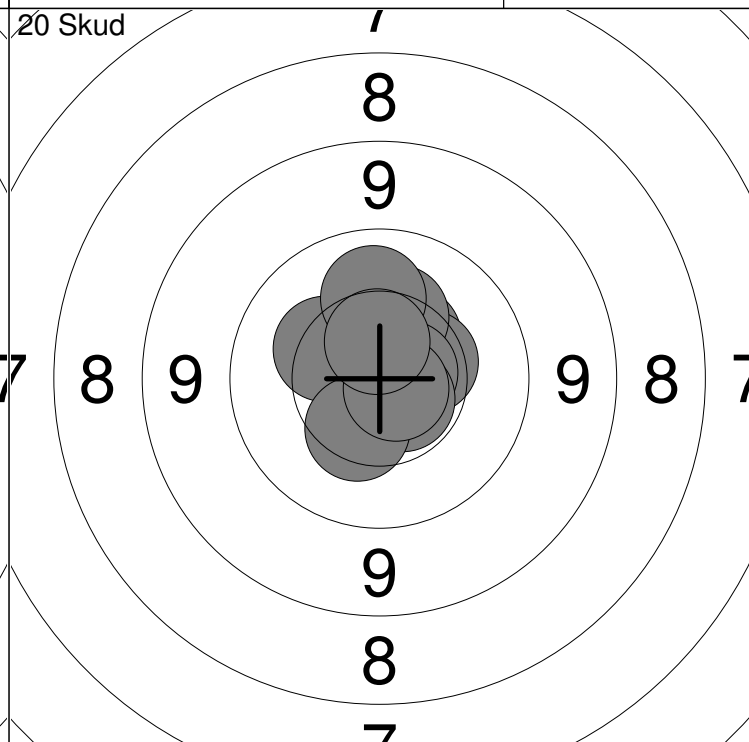
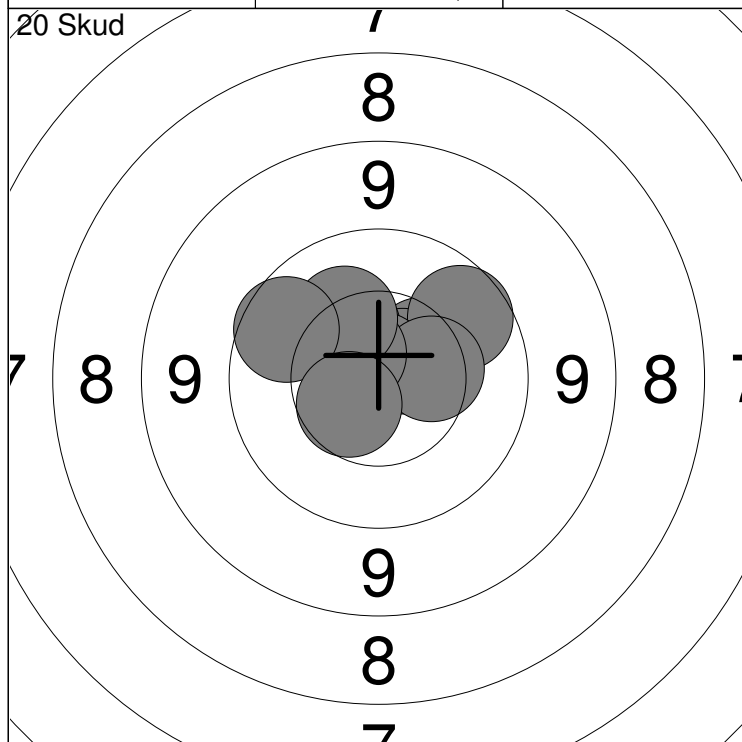
1: 9.9 ←	6: *10.8 ↓	Serie	97.0
2: 10.1 ↖	7: 9.7 ←		
3: *10.6 ↓	8: 9.9 ↙	Total	97.0
4: 10.0 ↓	9: 10.3 ↖		
5: 10.5 ↖	10: *10.9 ↑		

11: *10.5 ↓	16: 10.4 ↑	Serie	99.0
12: 10.4 ←	17: *10.6 ↓		
13: 10.2 ↖	18: 10.4 ↘	Total	196.0
14: *10.8 ↓	19: *10.5 →		
15: 9.2 ←	20: 10.0 →		



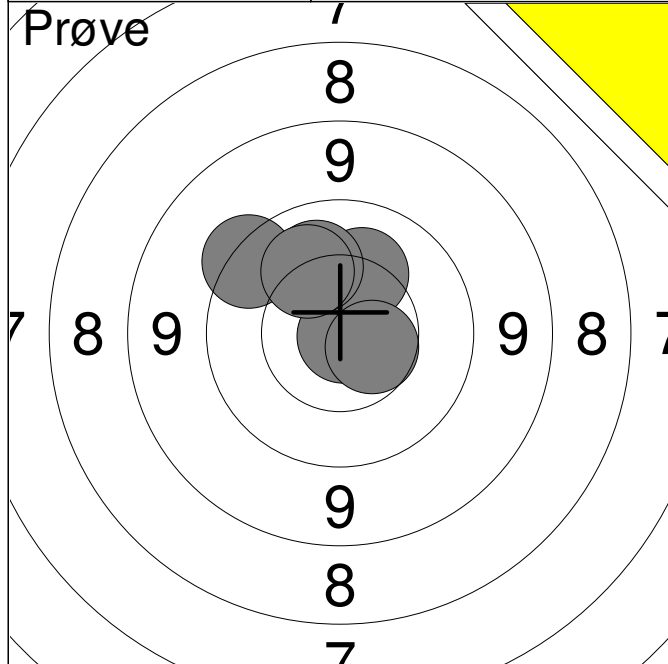
1: 10.1 ↖	6: 10.3 ↘	Serie 96.0
2: 9.8 ←	7: 9.9 ↗	
3: 10.6 ↑	8: *10.7→	Total 0.0
4: 9.2 ↗	9: 10.4 ↖	
5: 10.2 ←	10: 9.9 ↑	

11: 10.1 →	Serie 20.0
12: 10.6 ↑	
Total 0.0	

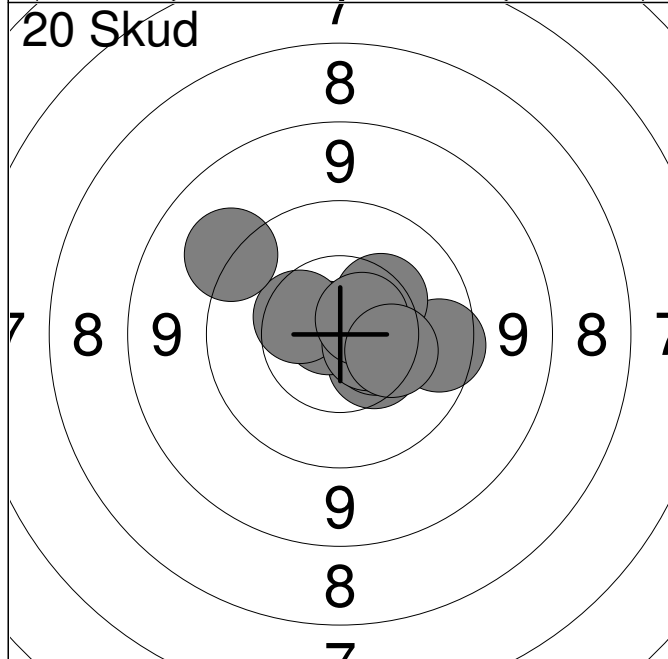


1: 10.4 ↗	6: 10.4 →	Serie 98.0
2: *10.6↗	7: *10.6↖	
3: 10.4 ↖	8: 10.2 ↖	Total 98.0
4: 9.9 ↗	9: 9.9 ←	
5: *10.8↑	10: 10.5 ↘	

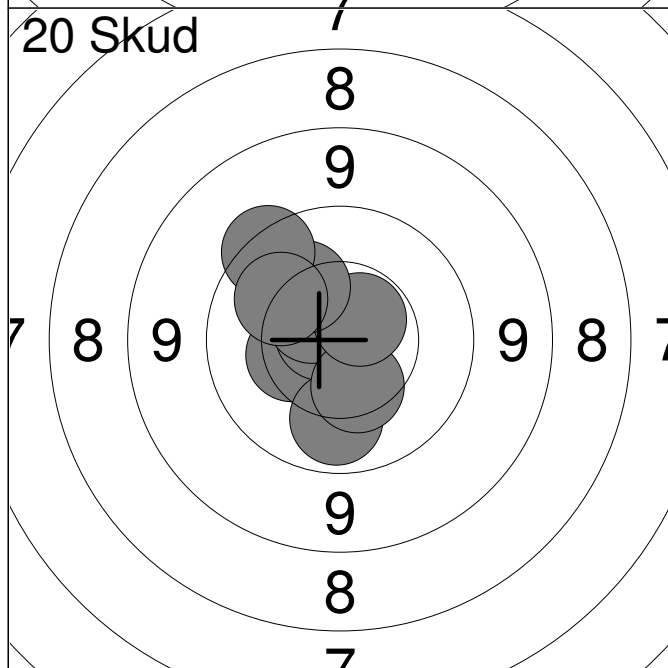
11: 10.4 ↖	16: 10.3 ↖	Serie 100.0
12: 10.4 →	17: 10.4 ↓	
13: 10.3 ↑	18: 10.1 ↑	Total 198.0
14: *10.7→	19: *10.7↘	
15: *10.6↘	20: 10.6 ↑	



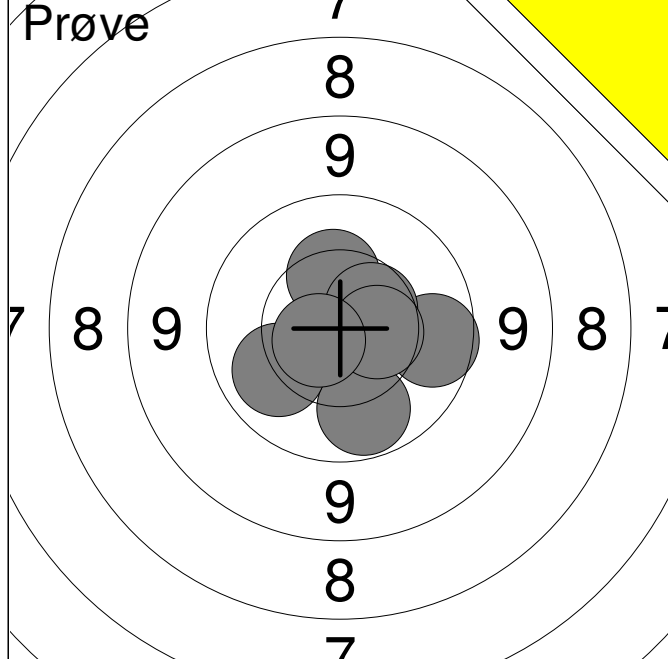
1:	*10.9	↘
2:	9.6	↗
3:	10.2	↗
4:	10.1	↗
5:	10.1	↗
6:	10.5	↘
Serie		59.0
Total		0.0



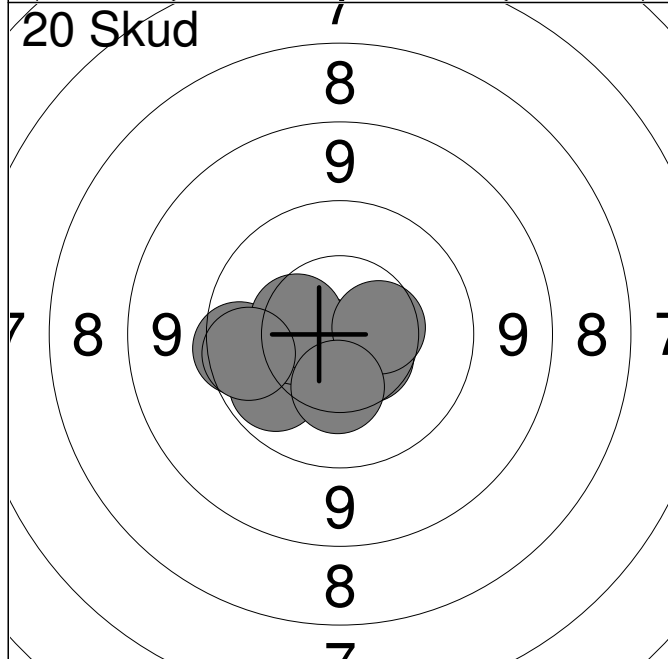
1:	10.4	↘
2:	10.5	↘
3:	9.8	→
4:	10.3	↗
5:	*10.8	↗
6:	10.4	↗
7:	*10.6	↘
8:	*10.6	↗
9:	9.3	↗
10:	10.3	↘
Serie		98.0
Total		98.0



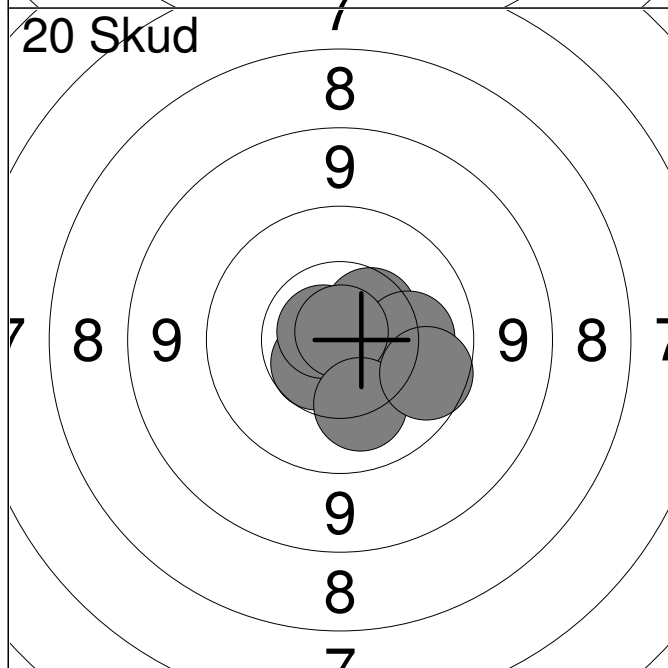
11:	10.4	←
12:	10.3	↗
13:	*10.7	↗
14:	10.5	↗
15:	10.0	↘
16:	10.4	↘
17:	*10.6	↗
18:	10.2	↗
19:	9.6	↗
20:	10.1	↗
Serie		99.0
Total		197.0



1:	*10.8	↑
2:	9.9	→
3:	10.3	↑
4:	10.0	↓
5:	10.5	↗
6:	10.5	→
7:	10.1	↖
8:	*10.7	↖
Serie		79.0
Total		0.0



1:	10.5	↘
2:	10.0	↖
3:	9.8	←
4:	*10.7	←
5:	*10.6	←
6:	10.4	←
7:	10.4	←
8:	9.9	←
9:	10.5	→
10:	10.3	↓
Serie		98.0
Total		98.0



11:	10.6	↖
12:	10.5	↘
13:	10.4	→
14:	10.5	↗
15:	*10.7	↗
16:	10.5	↘
17:	10.2	→
18:	*10.8	↑
19:	10.2	↓
20:	9.9	↘
Serie		99.0
Total		197.0